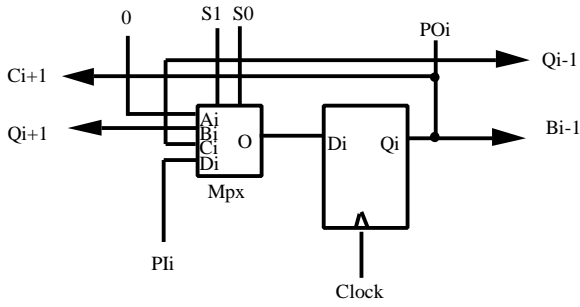
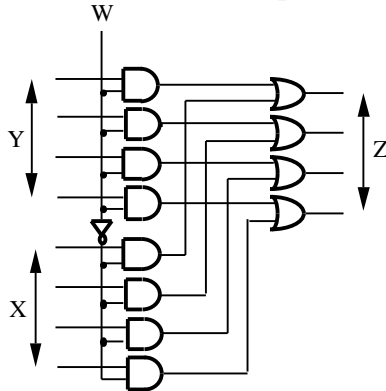


DOC112 Hardware Tutorial 8: Solutions

1. The general purpose register with a 'clear' function

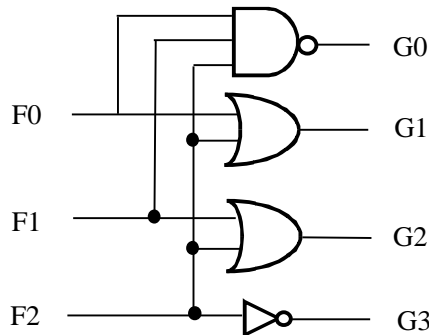


2. The Selector (multiplexer)



3. The Controller

F2 F1 F0	G3	G2	G1	G0
0 0 0	X	0	0	1
0 0 1	X	0	1	1
0 1 0	X	1	0	1
0 1 1	1	1	1	1
1 0 0	0	1	1	1
1 0 1	0	1	1	1
1 1 0	0	1	1	1
1 1 1	X	X	X	0



4. The second multiplexer (selector) is placed at the A input to the adder

