

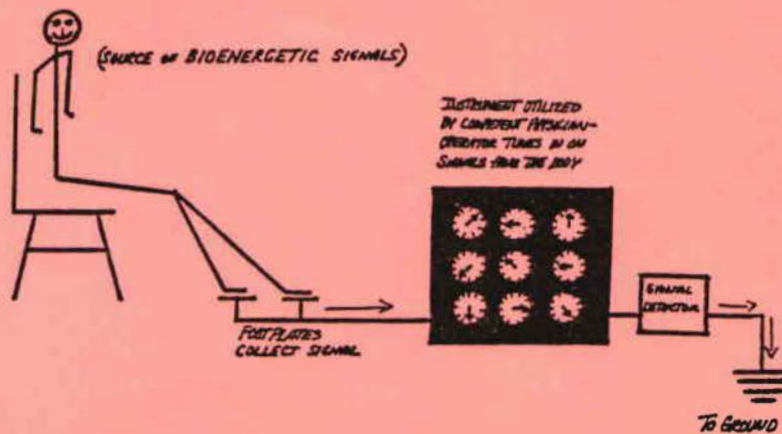
DROWN **RADIO-VISION**

and

HOMO-VIBRA RAY **Instruments**

and their uses

Radionic Rate Book



A Publication of:



P.O. Box 220 ★ Bayside, California ★ 95524 USA

This book is sold for research and historical purposes only.

DISCLAIMER: This book is sold for research and historical purposes only. No medical claims are made or implied by the publisher.

THE DROWN RADIO-VISION and HOMO-VIBRA RAY INSTRUMENTS
And Their Use

TABLE OF CONTENTS

Part A:

The Drown Radio Therapy Methods.	1 - 3
Pictures.	4 - 5
Modified Drown Circuit.	6
Patent Specifications (Radio-Vision Inst.)	8 - 13
Drawings.	14 - 17
The "Voice-Print" As Specimen For Analysis	18
Bio-Vibronic Analysis Case Record Chart.	19 - 20
Diagnosing With Atomic Rates	21 - 24
Activity Centers in Base of Brain.	25

Part B:

Technic of the Homo-Vibra Ray Instrument	1 - 7C
Picture of Radio-Vision Instrument.	7C
Atlas of Rates	8 - 83
Endocrine Glands.	8 - 9
General Diseases.	10 - 14
Diseases and Their Causes	15 - 17
Discharges.	17 - 18
Pain.	18 - 43
Tenderness.	43 - 67
Vertigo	68
Differential Blood Count.	68 - 70
Bones	70 - 72
Circulation	72 - 74
Miscellaneous	74 - 83

PART C:

Some General Observations and Instructions	84 - 96
Index.	I - XXX



Ruth B. Drown

PART A

THE DROWN RADIO THERAPY METHODS

By Dr. Ruth Drown

From the Round Robin Journal of
Borderland Research, Sept-Oct 1951.

The energy used in diagnosing, treating and photographing soft tissue is that of the patient, with no auxiliary current present. That used in the photographic instrument is also the energy of the patient, plus a 9-volt battery to start the flow of electrons through the photoelectric tube for not more than a minute, which lasts for several pictures before renewal. The principle underlying the work is simply that everything in the universe vibrates, and also has polarity. The energy which animates the human body is the same as that which is withdrawn at death, and is also that which, when coupled with the energy of the earth, produces metabolism of the cell structure. This fact furnishes the foundation from which to describe the rest of the work.

This energy comes to man in a perfect state, but by reason of his thinking apparatus it becomes obstructed in some part of his body, and we call the result disease. Even accidents are attributable to the thinking apparatus; for are they not the result of "lack of thinking"?

Every part of the body, human or animal, vibrates differently from every other part when animated by the life force. When the ruling energy passes through each organ, gland or tissue, it goes out from the body and around the world at enormous speed. According to the Ancients it traveled at the rate of 345,000 miles per second, whereas ordinary light has a speed of 186,000 miles per second. This energy is passing from and returning to the body at all times; for all energy returns to its source.

When a drop of blood is received at the Drown laboratories it is put on a blotter to hold together the fine crystals of salt and other minerals, which in turn act in the same manner as the small galena crystals acted in the old crystal radio sets. These crystals are always in resonance with the energy of the body from whence they came. When placed in the Drown instrument, the energy (life force) of the patient is drawn through the instrument; and by proper tuning it is possible to diagnose,

or treat, or make a picture of the part of this body which sent it out.

The "rates of vibration" were originally worked out from histological structures of the animal body. A liver, for instance, is always recognizable as such, even though it be taken from a cat or dog; but the difference lies in the different rate of vibration of the animating energy. The disease rates were taken from specimens found and labeled in medical hospitals. These also have their own rates of vibrations which are "tuned" through the Drown instrument. When these rates are found and placed upon the photographic instrument, it is possible to photograph the cell structure of the part involved, whether the patient is in the same room or at a great distance, since his energy is where the picture is being taken.

The Drown instrument is only a tuning-board, used to resist and focus the patient's energy under treatment. In this way the patient heals himself, though under the direction of the doctor after the condition which is out of balance is ascertained.

In these times when everything is being speeded up and energies are being sent into the Etheric, bombarding the brain and body structure with sounds and forces hitherto unknown, it is necessary for the human body to be speeded up also, or else be shattered. The Drown method helps to do this in a natural way. Hemorrhage control is also a part of the treatment method. This is done by treating the parathyroids, which control hemorrhage in any part of the body.

FURTHER COMMENT ON DR. DROWN'S WORK (From Jan-Feb and March-April 1961 Journals of Borderland Research)

"The cornerstone of the diagnosis is the case history. This is made as complete as possible. Then the patient sits with his feet on the Foot Plates of German Silver, a few feet to Dr. Drown's right. Her assistant sits on her left with the diagnostic chart. Dr. Drown can in this position read the dials, talk to the patient or her assistant, as she chooses. She sets herself aside from the instrument as diagnosis is not dependent on her state of mind, ESP or psychic powers. It is the instrument that is telling the story by its reactions to her rubbing fingers on the detector plate. There is no "holding a thought", as she establishes the First Cause of the patient's difficulties, by going through more than a hundred entries on the standard chart. After about 40 minutes a complete blueprint of the patient's body has

been made. Homeopathic extracts of healthy glands and organs are used to determine First Cause.

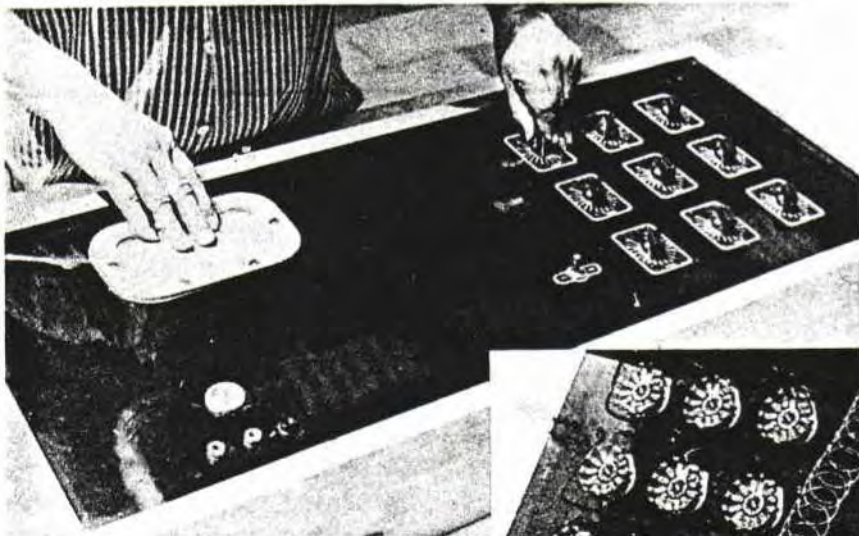
"There are 30 of these extracts. One by one these little bottles, with their vibrations of a healthy kidney, liver, heart or whatever, are placed in the specimen well on the instrument. By a process of elimination the substances which are capable of dissipating the disease reaction on the instrument's detector pad are separated from those which do not. The final step involves setting the dials to the organs and glands which are low in function. One homeopathic substance survives these finer tunings and dissipates disease reactions. This represents the organ or gland that is the First Cause of disease.

"If the patient cannot be present for diagnosis or treatment, a blood specimen, dried on a piece of clean white blotting paper and placed in the specimen well, serves as a contact. If the patient is present, a plate of block tin, with a connecting wire leading back to the instrument, is placed over his solar plexus. On the tiny current flowing between these two dissimilar metals (the German silver footplates and the tin plate, through the instrument, are born the patient's 'molecular broadcasts', sent out from all the organs, glands and tissues.

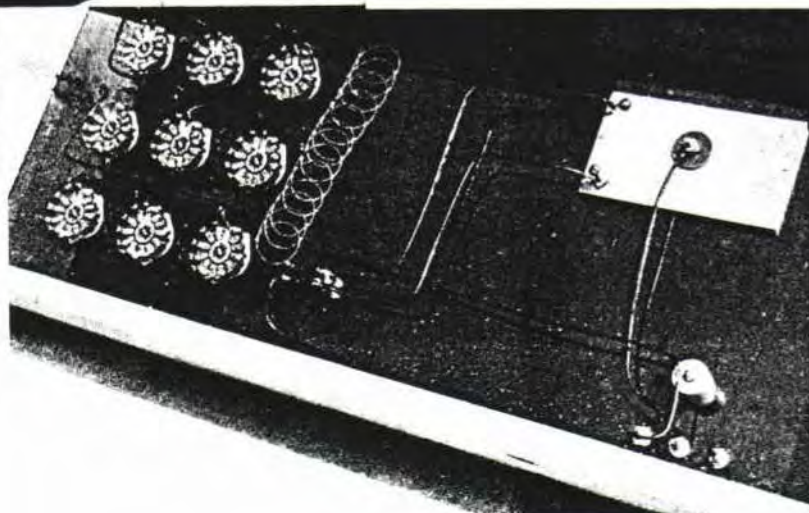
"As a treatment device, the instrument is set at the disease rate. The patient's energy is thus focussed back into the tissue from whence it came, to produce new, healthy cells to replace the old, diseased cells. This alters the vibratory rate of the diseased organ or gland; so the doctor must periodically monitor the rate of change, to keep the treatment rate and instrument in resonance with the area being treated.

"The instrument -- especially the detector or rubbing plate -- the footplates (on which the patient places his bare feet), and the tin treatment plate, must be thoroughly de-magnetized and cleaned after diagnosis and treatment of one patient, before starting with another patient. If this is not done, the old vibes will contaminate the new, giving the doctor false readings on the new patient."

"A small bar or horseshoe magnet moved slowly around among the dials and over the footplates should suffice. The rubbing or detector plate should be cleansed with a strong astringent, such as oil of cloves. Dr. Drown used a different tin plate for each patient when giving a series of treatments."



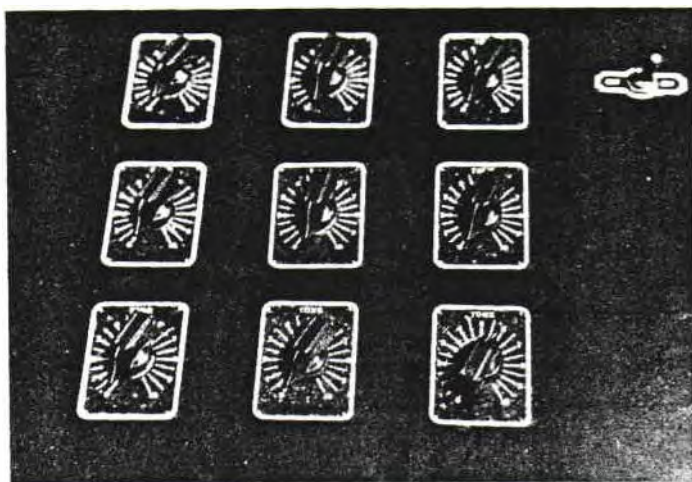
THE HOMO-VIBRA RAY INSTRUMENT of Dr. Drown's early days, designed for right-handed people. The operator's right hand is on the rubbing or detector plate, where the shtick is produced when the circuit is shorted at the finger-tip contact.

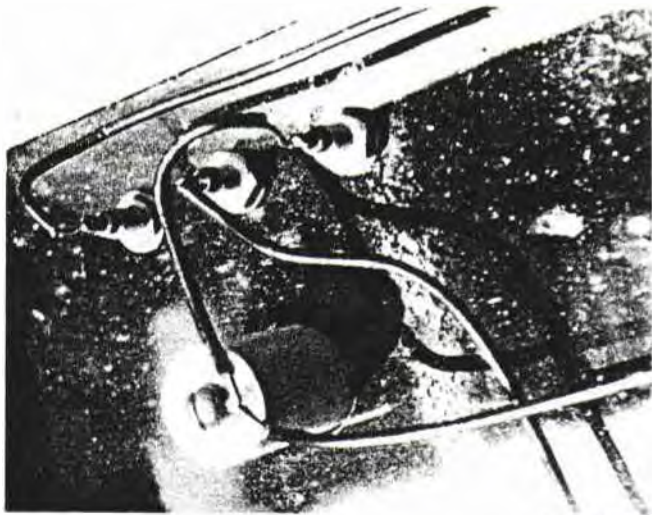


THE OPERATOR'S left hand is on Dial 9, the tuning dial, the pointer of this is set at 10 and brought down the scale until the shtick indicates the number or rate of the disease. The other dials have been set with the rate given in the Atlas.

Above the rubbing plate is the Specimen Well and three contact points for wire leads from the German Silver footplates, for the Ground Wire, and for the Tin treatment plate when the machine is used for treatment. The Treatment Plate wire connects to the Specimen Well.

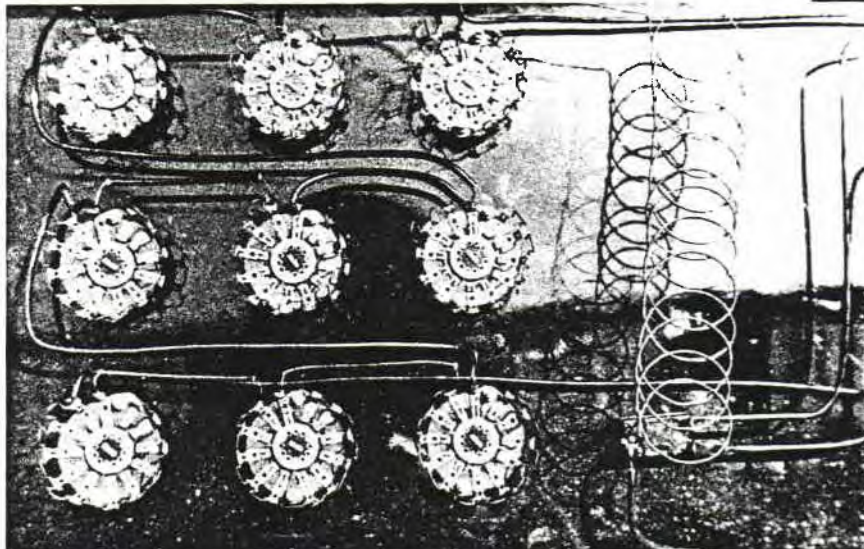
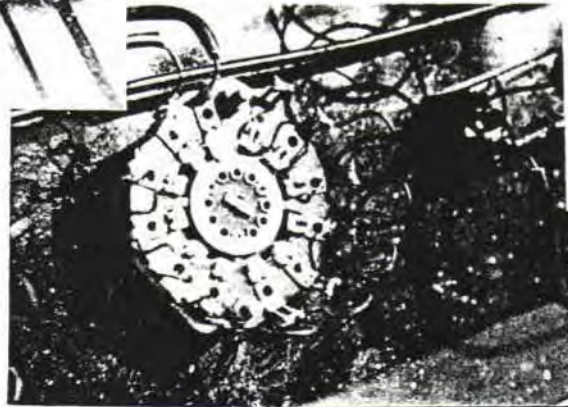
THE SECOND PICTURE ABOVE shows the underside of the black bakelite Control Panel, with the nine rotary switches, the dp/dt circuit switch, and the metal underplate for the rubbing plate. This appears to be aluminum. The rubbing plate itself can be ebony or Brazilian Rosewood (though on this machine the rubbing surface appears to have been a replacable plastic fibre of some kind. The specimen well appears to be of cast aluminum. THE THIRD PICTURE, at left, shows the nine dials of the Drown system which are based on the Sephiroth of the Tree of Life of the Western Mystery Tradition -- of significance only to those interested in occult



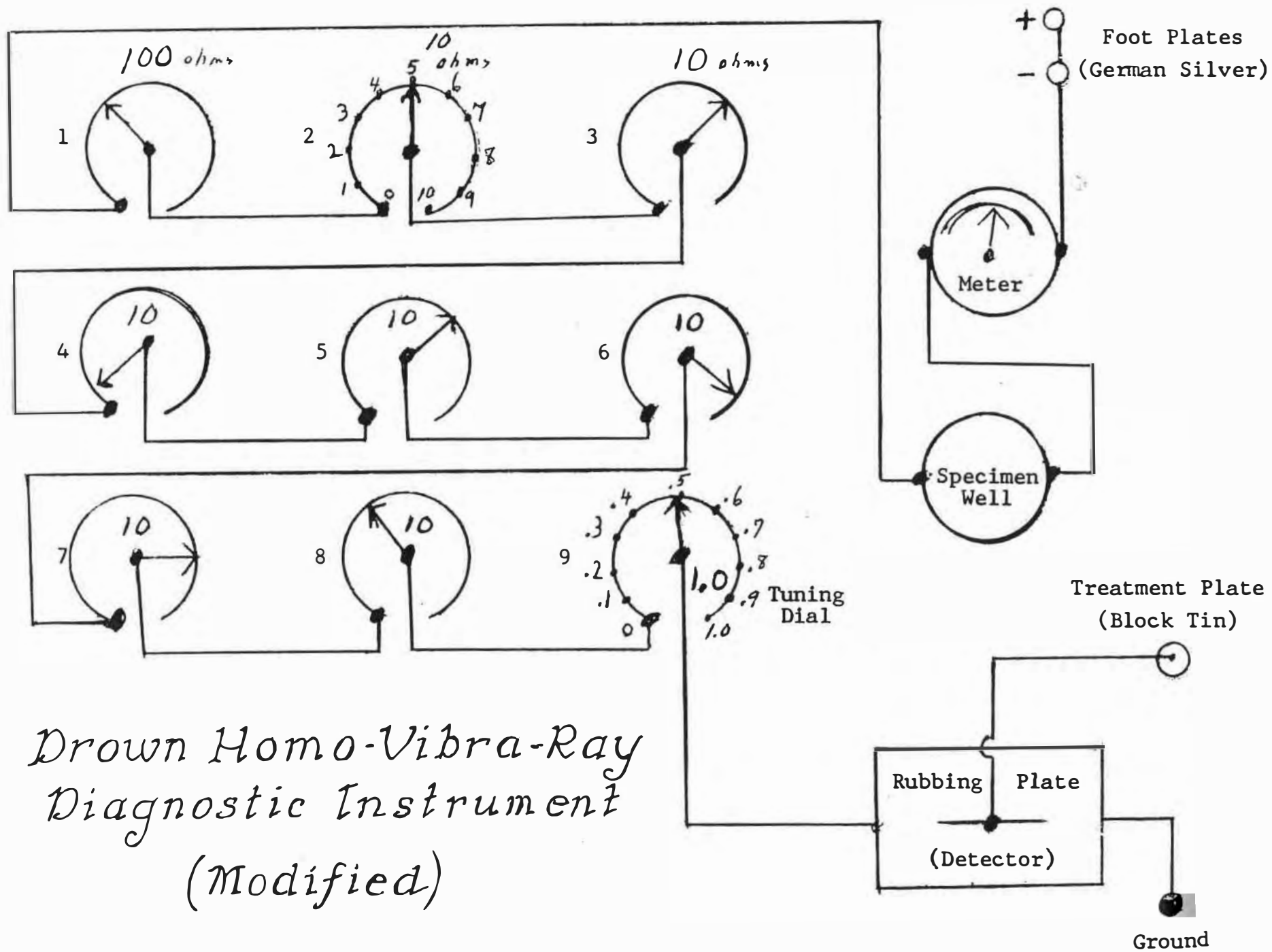


science. Though the dials are numbered from 0 to 10 (eleven positions) there are actually 12 positions or contacts on each rotary switch. The radiant energies of the 12 Constellations of the Zodiac are coming in from all directions of the Compass; so this relates the dials of the Drown instrument to those cosmic forces which hold the earth and all its inhabitants in a grip of iron.

Actual experience showed that the full-circle or 360° rotary switch, and the wire-wound potentiometer, gave the best results and finest tuning in both diagnostic and treatment work. The dials or rotary switches of the original Drown circuit had a value of 10 ohms each, from dial 1 through 9, giving a total resistance value of 90 ohms. As you can see in the picture of one rotary switch above, resistance wire was carefully looped be-



tween each contact point to give one ohm resistance between each point. More resistance in the circuit was made by the 12 loops of No. 19 bare wire you see here, with the loops soldered to each other where they overlap. But this circuit wasn't capable of the fine tuning most operators desired; so



*Drown Homo-Vibra-Ray
Diagnostic Instrument
(Modified)*

the original Drown circuit was modified as you see in the large schematic on the preceding page, with 100 ohms total resistance in the No. 1 dial, instead of only 10. This eliminates the need for the resistance of the 12 loops of #19 bare wire in the original circuit. 10 ohms total resistance are in each of the next seven dials, and there is only one ohm total resistance in the ninth or Tuning Dial. Total resistance in the circuit is now 171 instead of 90.

Smooth-turning, wire-wound pots (variable resistors) of appropriate values can be used instead of rotary switches. These are easily available at any electronics parts store such as Radio Shack or Olson's; but it's easier and faster to set up numbers on rotary switches, and more accurate. Instead of the looped resistance wire as shown in Drown's original, carbon resistors of appropriate values can be soldered between the contact points or lugs on the rotary switches.

THE LIFE FORCE IS BODY-ELECTRICITY

True, there is no ordinary electricity in this circuit and none is needed; but bio-electricity or human electro-motive force is! The sceptical subject or patient can be convinced of this by the needle of the 0-500 D.C. Microampere Meter in the circuit between the Footplates and the Specimen Well.

When the subject is in circuit, with his bare feet on the Footplates and the Treatment plate on his bare belly, have him rub his hands vigorously together to generate a charge of the lowest form of electricity, static electricity -- bio-electricity in this case -- which should show as a surge of the needle all the way across the dial to 500. It won't hold though; nor is it necessary for successful operation of the equipment; for the Life Force is still there. The needle on the meter will gradually return to zero.

For more details on treatment, refer to pages 1 and 4, Part B, on the "Technic of the Homo-Vibra Ray Instrument". A separate treatment instrument can be built, using the nine dials, input for the Block Tin electrode over the patient's abdomen, and output to the German Silver Footplates and Ground.

P A T E N T S P E C I F I C A T I O N

(British Patent Office) 515,866

Application Date: July 1, 1938 No. 19584/38.

Complete Specification Accepted: Dec. 15, 1939

COMPLETE SPECIFICATION

Method and Means For Obtaining Photographis Images of
Living and Other Objects

I, Ruth Drown, a citizen of the United States of America, of 4706 Oakwood Avenue, Los Angeles, California, United States of America, do hereby declare the nature of this invention and in what manner the same is to be performed, to be particularly described and ascertained in and by the following statement: --

The present invention relates to a method of and means for obtaining photographic images of parts of the human body or of other objects. One object of my invention is to enable accurate photographs of healthy and diseased parts of living bodies somewhat similar to X-ray photography to be obtained in simple and easily applied manner. Another object is to provide a compact, portable apparatus for obtaining photographic images according to the invention.

It is believed that the action obtained by my present method consists in activating the flow of electrons of the uni-directional flow of current from the battery or other equivalent source and the radiant energy of the body being examined.

In pursuance of the foregoing and according to my present invention a method of obtaining photographic images of living and other objects and more particularly human beings consists in subjecting a highly sensitized photographic plate or film to an electromotive force so as to produce a field thereon and providing means susceptible to the influence of invisible energy rays or electrons of the atoms of the object to be photographed to produce a change in voltage drop across an electrical circuit to correspondingly influence said field.

The apparatus for carrying out the invention does comprise a light-sensitive cell, a uni-directional source of current connected at the negative side of the cathode of the light-sensitive cell and at the positive side to the anode of the cell. A series of impedance rheostates connected so as to have a condenser action and connected in parallel with the cell and the source of energy,

a rectifier, and a photographing device comprising the opposed plates of a fixed condenser between which the film or plate is located, said rheostats being connected across one of the plates of the condenser and the cell plates, and the other plate of the condenser being connected to the filtered negative side of the said source.

In carrying an embodiment of my invention into practice it should be understood that the latent image is carried to the sensitized surface by means of a magnetic field having certain lines of force and the thickness or width of the field, i.e., transverse to the shortest distance between the negative and positive points, can vary from one thirty-second of an inch to an inch. This field, when applied across a sensitized surface, spreads or is trapped to the plane of such surface and by action of a suitable developer the image of the field can be printed. Consequently, if the potential of the applied force is varied by using the electronic or light ray influence of the object to be photographed to affect the photo-electric cell included in the circuit of the apparatus, the lines of force will be correspondingly varied on the plate.

In practice the subject to be photographed is placed close to the photo-electric cell and it is found that the radiant energy of the subject impinges on the cathode of the tube resulting in an increasingly higher resistance placed across the cell. Such increase will cause an exceedingly minute change of the current in the anode circuit, in turn producing a change in the voltage drop across the circuit, such voltage drop or change in potential being led through the selecting or tuning section constituted by the rheostat. That is to say a photo-electric cell is used to isolate a particular section to be photographed and in doing so it pictures changes in electro-motive force in an electrical circuit, such changes of the electro-motive force being utilised to excite the circuit producing a field across a highly sensitized emulsion surface, the resulting distortion or change of the lines of force across said surface producing an image which can be developed chemically. Suitable apparatus for achieving this result is illustrated by the appended sheets of drawings wherein: --

Fig. 1 is a diagrammatic view of a complete circuit.

Fig. 2 is a sectional side elevation view of a portable casing accommodating the cell, rheostat or tuning device, photographic plate-holder and circuit wiring.

Fig. 3 is a detail sectional plan view showing one

of the adjustable tuning devices, a number of which are suitably connected in the circuit as shown diagrammatically in Fig. 1, and assembled on a panel in the portable casing as shown in front and broken rear elevations in Figs. 4 and 5 respectively.

Referring to the drawings a source of direct or uni-directional current 1 is connected by its negative side to the cathode 2 of a photo-electric cell 3 via a filter 4 which can consist of coils of insulated wire or solenoids wound on both iron cores and air cores and in series. The source of potential may be a battery carried in the portable casing 5 so that the apparatus can be self-contained and available for use anywhere. The positive side of the source 1 is connected to the anode of the cell 3. Connected across the anode and a rectifier 7 is one, or preferably as shown, a plurality of series-coupled impedance rheostats 8 which are constructed to act as condensers, the rectifier 7 being in turn connected to the filtered negative side of the source 1 so that the rheostats are in parallel with the beforementioned circuit of the battery and cell. This rectifier may be a quartz-crystal type, a vacuum tube rectifier, a rectifier of the oxide type or a chemical rectifier. A pair of large surface area (in relation to their thickness) conducting plates 9 and 10 are located in narrowly spaced relationship, e.g., after the manner of a fixed condenser and are connected in parallel with the rectifier. This condenser device forms in effect a photographing device because between them is interposed a highly sensitized plate or film.

With the source of the potential connected as shown there will always be a difference of potential between the cathode and anode of the cell, the anode being positive to the cathode by reason of the applied direction of polarity of the source of potential.

In practice the object to be examined is placed close to the surface of the cathode so that the invisible light rays or radiations will impinge upon the cathode resulting in negative electrons being emitted from the cathode. This places a negative potential on the anode and an increased resistance is placed across the cell resulting in an exceedingly minute change of current in the anode circuit. Because of this change in current there will be a voltage drop across the circuit which is led through the selecting or tuning section constituted by the rheostats.

The changes in dielectric stress of the condenser-

like arrangement of plates 9 and 10 caused by the changes of potential applied to the plates 9 and 10, produces corresponding changes in the field which is contained in the sensitized surface of the photographic plate or film. This field is in the nature of a magnetic field with appropriate lines of force depending upon the particular setting of the tuning device constituted by the impedance rheostats 8. As the tuned in electro-motive force which produces the field is varied or regulated by the energy derived from the nervous system or organism of the living object being photographed, the field is varied accordingly.

The tuning device can comprise any suitable number of rheostats connected in series as shown in Fig. 1 to afford a wide range of adjustment. Each rheostat comprises a plurality of conductor studs 14 arranged in an arcuate path about a center conductor pivot pin 15 from which radiates a contact 16 engaging the studs singly. Each stud is lined with an insulating sleeve 17 about which is wound a wire 18 so that there is a capacity between the wire and the conductor stud 14. The windings 18 are in series for each rheostat, and the conductor pivot pin 15 of each rheostat is connected to the first winding of the next rheostat in succession as shown in Fig. 1. Such an arrangement affords a wide range of fine tuning, the impedance formed in the circuit being determined by the number of windings selected.

The rheostats can be mounted on a panel 19 fixed in the portable casing 5. A switch 20 for making and breaking the circuit of the battery can be provided on this panel, and the photo-electric cell 3 can be plugged into a socket 21 on the base of the casing between the panel 19 and a partition 22 separating a compartment 23 containing the condenser plates 9 and 10. Immediately above the space between these two plates is a narrow lid 24 adapted to light seal the compartment 23, and to be opened for insertion and removal of a mount containing the photographic plate or film.

Having now particularly described and ascertained the nature of my said invention and in what manner the same is to be performed, I declare that what I claim is:--

1. Method of obtaining photographic records of portions of human bodies or other objects consisting in forming a magnetic field across a sensitized plate or film by means of an electrical circuit and producing changes in the electro-motive force in the circuit by means of a light-sensitive cell or photo-electric cell exposed

to the influence of the radiant energy of the object to be photographed.

2. Method of obtaining photographic records of portions of human bodies and other objects consisting in creating a magnetic field by an electrical device and locating a highly sensitized photographic plate or film in the magnetic field and locating a light-sensitive cell in juxtaposition to the object to be photographed, placing a potential on the anode of the cell by means of a uni-directional source of current of the said circuit to increase the resistance of the cell and thereby produce a change in voltage drop across the circuit to the said field-producing means.

3. Apparatus for obtaining photographic records of portions of human bodies and other objects comprising means for applying a magnetic field across the sensitized surface of a photographic plate or film, a photo-electric or light sensitive cell adapted to produce changes in the electromotive force producing said field and susceptible to the influence of electrons given off by the radiant energy of the object to be examined, and tuning means connected in parallel with the cell and a source of current.

4. Apparatus for obtaining photographic records of portions of human bodies and other objects comprising a light-sensitive cell, a uni-directional source of current connected at the negative side via a filter to the cathode of the light-sensitive cell and at the positive side to the anode of the cell, a series of impedance rheostats connected in parallel with the cell and the source of current, a rectifier, and terminal members between which the film or plate is located, said rheostats being connected across one of the terminal members and the cell plate, and the other terminal member being connected to the filtered negative side of the said source.

5. Apparatus for obtaining photographic records of portions of human bodies and other objects according to claims 4 or 5, wherein the negative side of the source of current is connected to the cathode of the photo-electric or light-sensitive cell via one or more solenoids or coils of insulated wire wound on air-cores and iron cores.

6. Apparatus for obtaining photographic records of portions of human bodies and other objects according to claim 4 or 5, wherein a portable casing accommodates the electrical elements and is partitioned to screen the plate or film receiving section from the cell and the

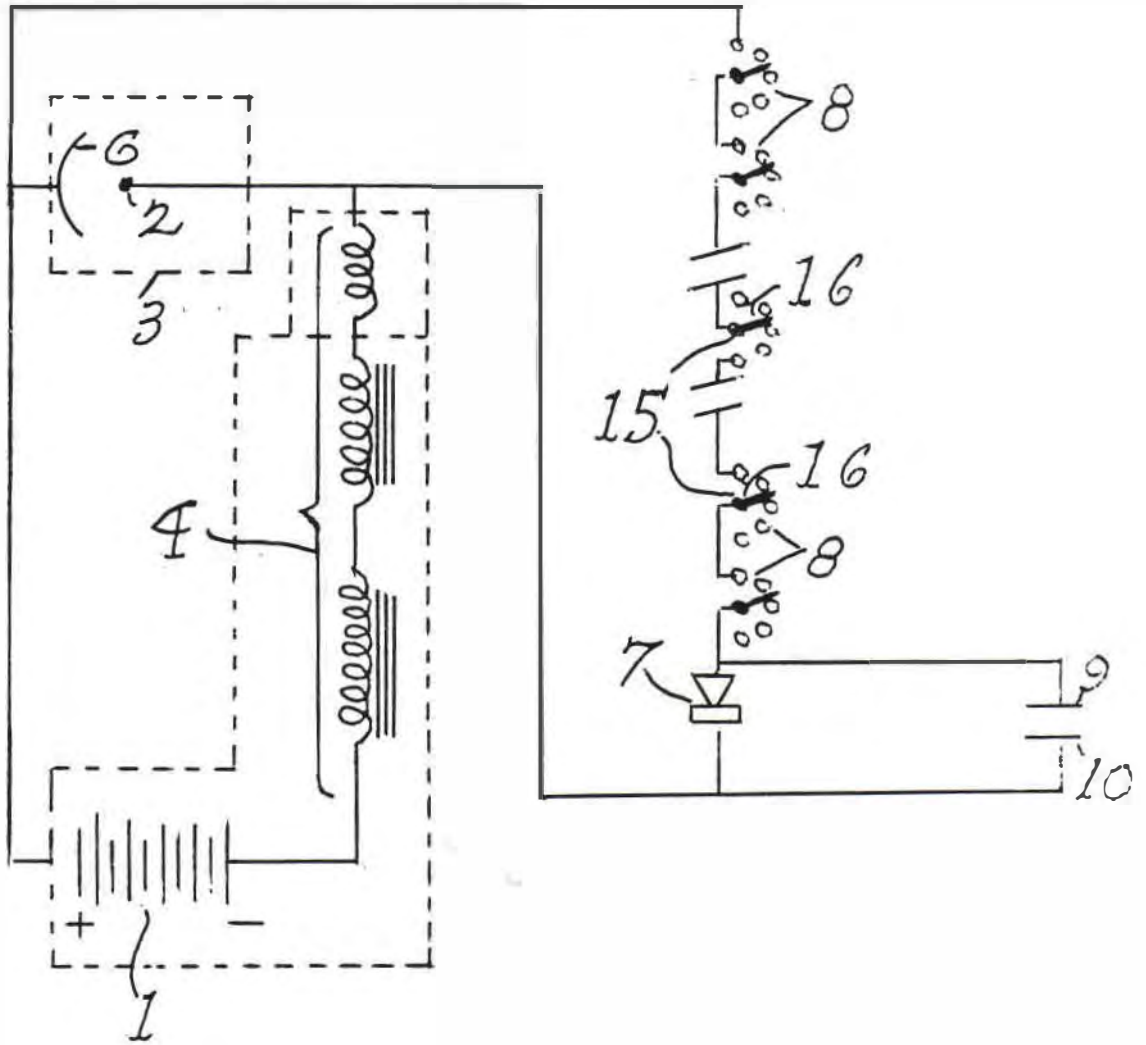
tuning means or rheostats.

7. Apparatus for obtaining photographic records of portions of human bodies and other objects substantially as described with reference to the accompanying drawings.

Date this 1st day of 1938, RAYNER & CO.
5, Chancery Lane, London W.C.2
Agents for the Applicant

Leamington Spa: Printed for His Majesty's Stationery
Office by the Courier Press -- 1940.

Fig. 1



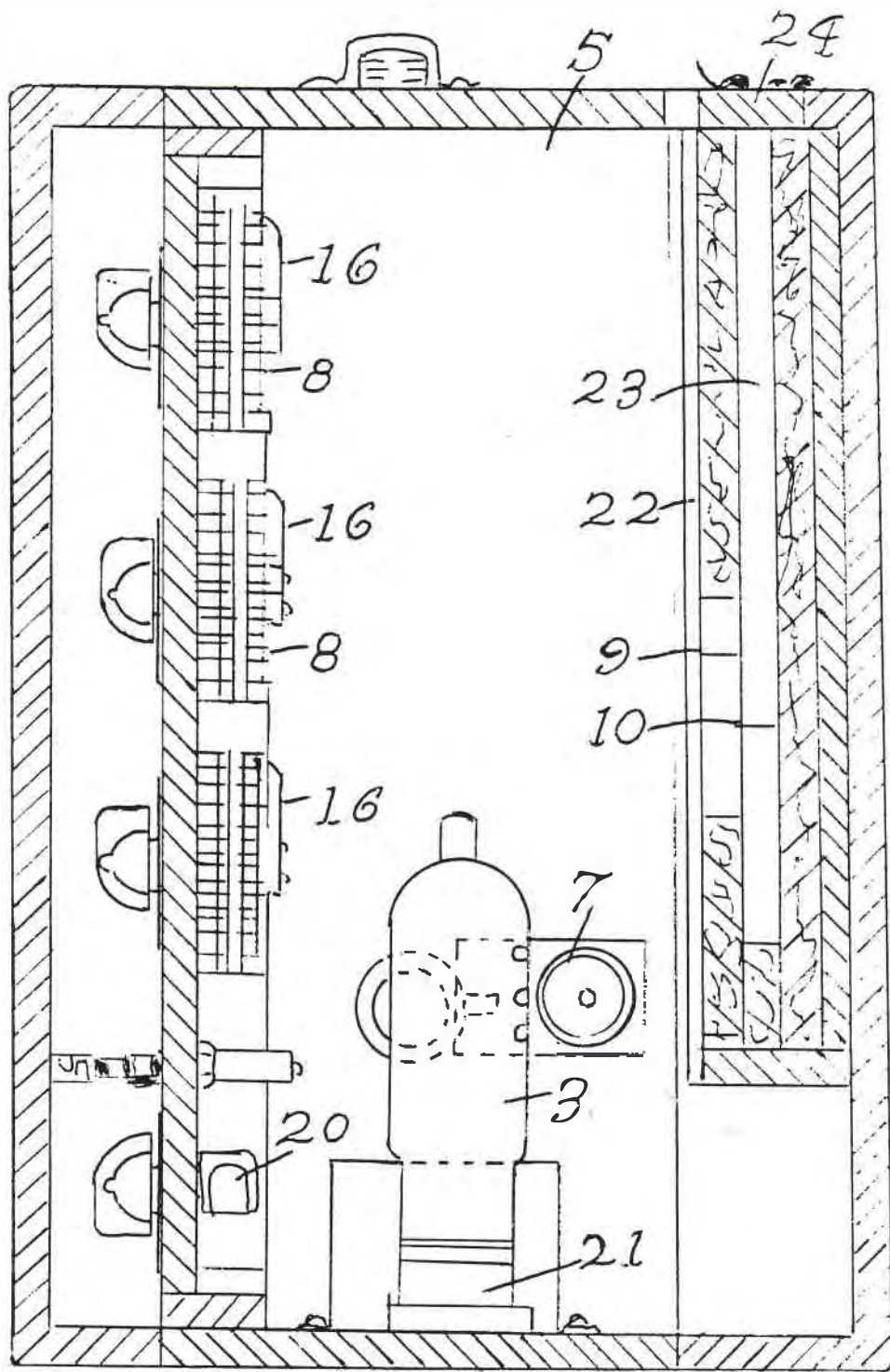


Fig. 2

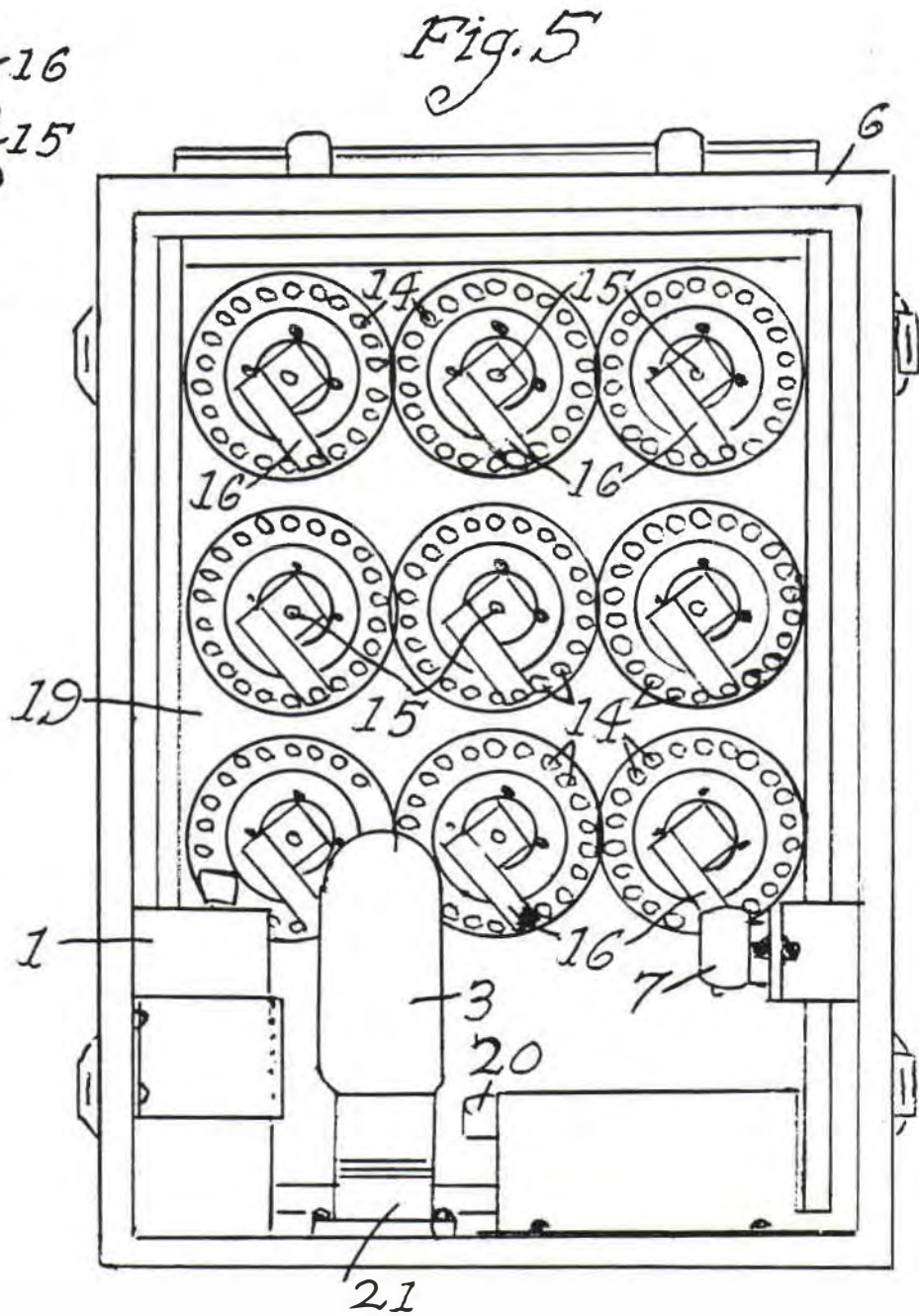
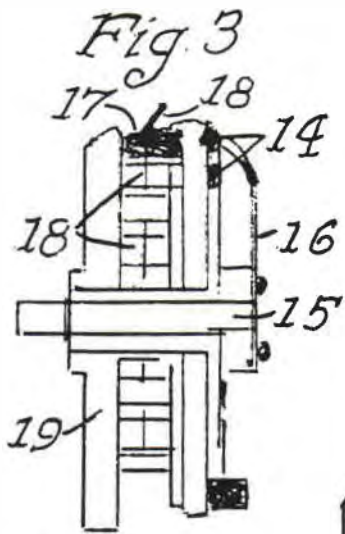
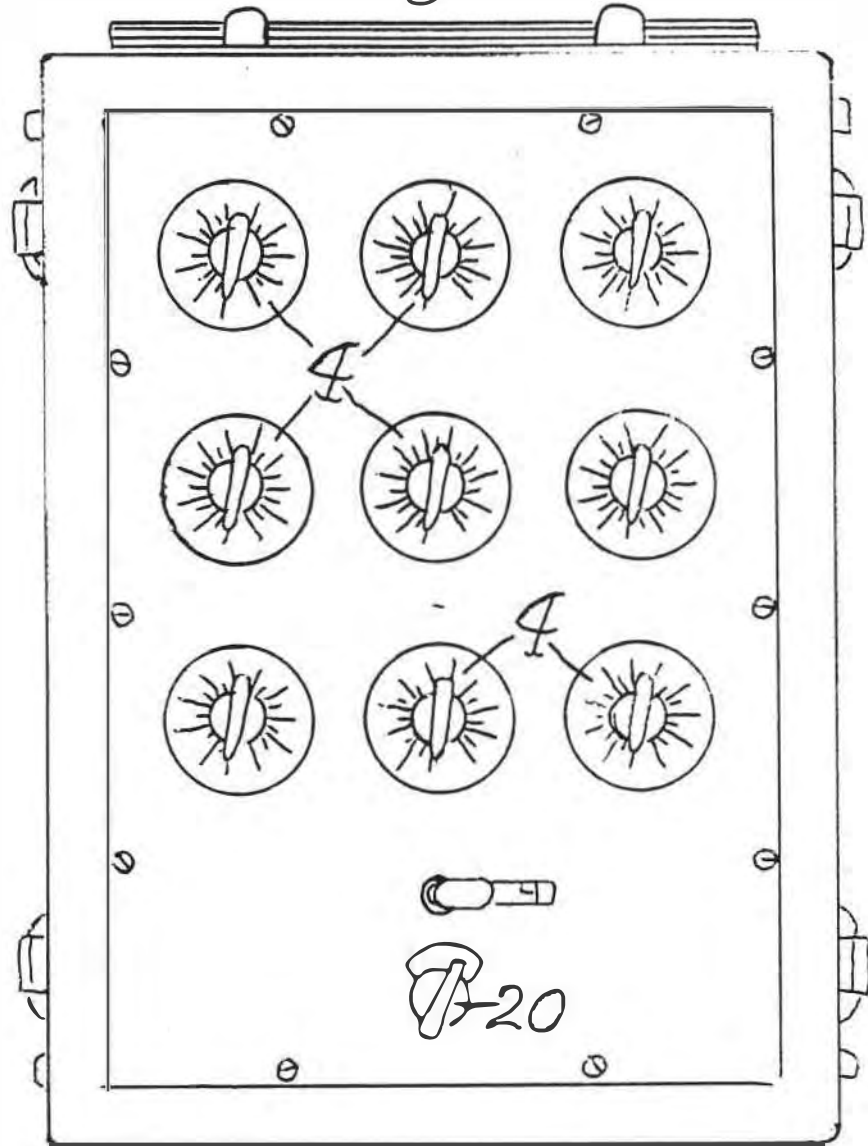


Fig. 4

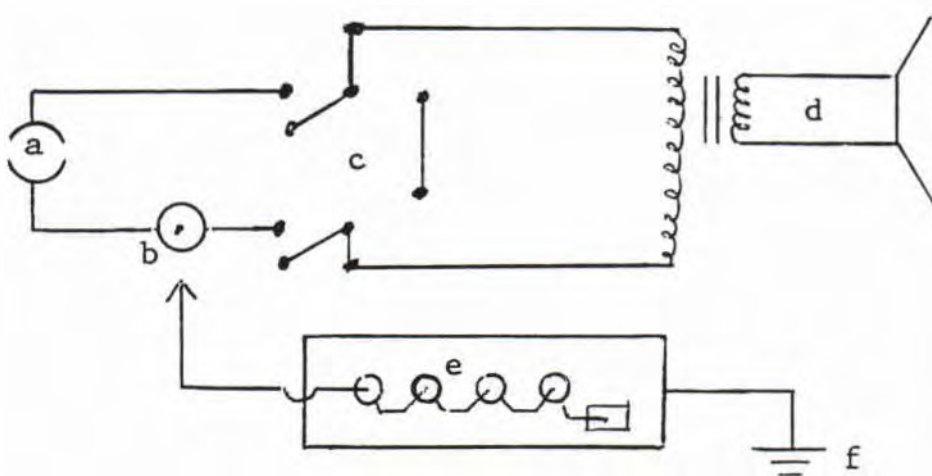


THE "VOICE-PRINT" AS SPECIMEN FOR ANALYSIS

When this gizmo is set before television, radio or telephone, the vibration of the speaker's voice passes thru the old radio speaker "microphone" and is super-imposed on the triple-distilled water in the ampule and thus becomes a living "specimen" of the person speaking which can be completely diagnosed. The ampule of water can be completely neutralized for further use on other people simply by touching it with a magnet.

The voice VR passing thru rate 2-9-6-3 on the instrument dials is fixed in the water as long as not demagnetized.

Switch speaker "mike" on for obtaining voice-specimen and reverse switch afterward to cut out mike unit and free radionic unit for diagnosis as if blood, urine, or sputum specimen, or THE patient were attached to the unit in person.



- a: Port to hold ampule of IV/IM triple distilled water
- b: Input for lead wire from Drown instrument
- c: Simple DP/DT switch (Double Pole/Double Throw)
- d: Discarded radio speaker, 4 inch, as "mike" input placed in front of TV, radio or telephone
- e: Drown 4-dial instrument set on rate 2-9-6-3
- f: Ground



8.10.88

Dear Mr Brown,

Re the Drown Atlas: The proof reading was very bad so there are lots of rates that are puzzling or misleading. I have made some corrections.

As for the plans for the photographic instrument - Dr. Drown deliberately submitted incorrect plans to the English patent office so that the instrument could not be copied and stolen which so often happens.

I have made a number of corrections - Part A - on pages 22, 23, 24, especially, a lot of first dial 0's missing. Because Dr. Drown told me that the basic atomic rate was 100-1 and that the final numbers on these rates, strangely, were the same as the element number on the Periodic Table of the elements, I was able to make corrections and find the name of the elements listed as unknown. I also had the corrected rates on the instrument checked against samples of the elements (except the unstables) by an expert dowser. So they are probably correct. I have underlined for your interest, the atomic numbers at the end of the element rates and also made some corrections.

Other additions or corrections are on - Part B - page 10, page 61, pages 80 through 95. Insert - p.I, p.III, p.XI, p.XII.

Unfortunately the bad proof reading has left in doubt any rates beginning with 10. Is the rate ten on the first dial or one hundred?

When rates were written by hand for use in the office they were perfectly clear. However, whoever typed the rates left a lot of puzzles. I have not been able to find anyone who could clarify the 100's and 10's.

As you probably know all conditions (diseases, etc) start with the first dials. The only part of the body on the first dial is the blood 40 9.

40	9

The blood rate put through parts of the body often will heal. The vitality rates are effective in weakened conditions: men - 40 97 12, women 40 97 11 - can be used to strengthen.

I hope you can use this information.

Sincerely,

Mary C. Cavanaugh

(NOTE: Although it was suggested here that the first dial rates be changed to 100, we have found them listed as 10 in four different sources of Drown rates. This point should be considered in your researches and both ways checked. We have not changed them, but look forward to any feedback on this matter - B.S.R.F.)

Instructions for diagnosing with Drown HVR Instrument,
using element atom rates.

Note: The basic atomic rate is 10-1 (ten one). The last number or numbers on the rate are the same as the atomic number of the element on the periodic chart.

In checking imbalance of the element atom, we place on the instrument the rates 10-1-7-5-9-2-2-8, for SENSORY nerves, and register on the last dial the different nerves that give us a reaction.

For SYMPATHETIC nerves we place on the instrument the rates 10-1-7-3-9-2-2-8, and register on the last dial the nerves that give the reaction.

The same with the MOTOR nerves - we use rate 10-1-8-6-5-2-2-8, and register on the last dial the nerves that give the reaction.

In this way we find the cranial nerves that are out of balance; then check back on the chart. For instance, take the FIRST CRANIAL NERVE. If it registers impingement under 8-6-5-2-2-0-8, the Hydrogen and Caesium would be out of balance, their atom numbers being 10-1-0-0-0-0-1-1 for Hydrogen and 10-1-10-5-5 for Caesium, one being a descending branch of the nerve and the other an ascending branch.

In order to normalize the atom in the body, we would use the atomic rate of these elements and when this is held a certain length of time the unbalanced number of electrons is balanced, and the atom brought back to normal.

The same would take place in each one of the cranial nerves which would be registered on the previous check-up.

You may have many elements out of balance in the average sick patient, but holding the normal rate of vibration of the atom a certain length of time will bring it back and help to dissipate the diseased condition which in itself has caused a change of tissue structure.

You will find in the text book a complete explanation of what takes place in the body over the nervous system, and it will help you to realize that the energy which flows over the cranial nerves passes through all the chemical changes, and when no more life force can flow freely over the nerve path, the energy crystallizes and forms granulations and deposits, and the freedom of the life force through its channel will bring it back again into liquids and gases, in which state it should be in the normal healthy body.

Treat each atomic rate 10 minutes only and no more than 4 rates a day. Two weeks later treat again (10 minutes each). Do NOT treat the glands during these periods of atomic treatment.

Also further corrections: Pages 33 & 47 add the numeral 5 after the Mania rate (60495). On pages 50 & 57 the Mania rate is correct. On page 75 -Insanity - add 5 (60495). The rate 6049 is for Actinimycosis.

Treat not longer than 10 min. daily - for 1 week.
 2-2-0-8- Grouping of Cranial Nerves.

	<u>Actual Vibratory</u> <u>Rate of Element Atom:</u>
<u>FIRST Cranial Nerve</u>	
Motor: (Hydrogen descending)	10-1-0-0-0-0-1-0-1
(Caesium ascending)	10-1-10-5-5
Sensory: (Palladium ascending)	10-1-1-4-6
(Rubidium descending)	10-1-0-1-3-7
Sympathetic: (Tantalum ascending)	10-1-2-8-7-3
(Neon descending)	10-1-0-0-0-0-1-10
<u>SECOND Cranial Nerve</u>	
Motor: (Helium descending)	10-1-0-0-0-0-2-0-2
(Sodium ascending)	10-1-0-0-0-0-2-1-1
Sensory: (Copper ascending)	10-1-0-0-2-2-9
(Silver descending)	10-1-2-4-7
Sympathetic: (Tungsten descending)	10-1-2-9-7-4
(Unknown ascending)	10-1-5-6-10-1
<u>THIRD Cranial Nerve</u>	
Motor: (Lithium descending)	10-1-0-0-0-0-3-0-3
(Magnesium ascending)	10-1-0-0-0-0-3-1-2
Sensory: (Zinc ascending)	10-1-0-0-3-3-0
(Yttrium descending)	10-1-0-3-3-9
Sympathetic: (Scandium ascending)	10-1-0-0-0-3-2-1
(Cadmium descending)	10-1-3-4-8
<u>FOURTH Cranial Nerve</u>	
Motor: (Beryllium descending)	10-1-0-0-0-0-4-0-4
(Zirconium ascending)	10-1-0-4-4-0
Sensory: (Aluminum descending)	10-1-0-0-0-0-4-1-3
(Titanium ascending)	10-1-0-0-0-4-2-2
Sympathetic: (Gallium descending)	10-1-0-0-4-3-1
(Indium ascending)	10-1-4-4-9
<u>FIFTH Cranial Nerve</u>	
Motor: (Boron descending)	10-1-0-0-0-0-5-0-5
(Silicon ascending)	10-1-0-0-0-0-5-1-4
Sensory: (Vanadium descending)	10-1-0-0-0-5-2-3
(Tin ascending)	10-1-5-5-0
Sympathetic: (Germanium descending)	10-1-0-0-5-3-2
(Niobium ascending)	10-1-0-5-4-1
<u>SIXTH Cranial Nerve</u>	
Motor: (Carbon descending)	10-1-0-0-0-0-6-0-6
(Chromium ascending)	10-1-0-0-0-6-2-4
Sensory: (Arsenic ascending)	10-1-0-0-6-3-3
(Antimony descending)	10-1-6-5-1
Sympathetic: (Phosphorus descending)	10-1-0-0-0-0-6-1-5
(Molybdenum ascending)	10-1-0-6-4-2

SEVENTH Cranial Nerve

Motor:	(Nitrogen descending)	10-1-0-0-0-0-0-7-7
	(Massium ascending)	10-1-0-7-4-3
Sensory:	(Manganese descending)	10-1-0-0-0-7-2-5
	(Selenium ascending)	10-1-0-0-7-3-4
Sympathetic:	(Sulphur descending)	10-1-0-0-0-0-7-1-6
	(Tellurium ascending)	10-1-7-5-2

EIGHTH Cranial Nerve

Motor:	(Oxygen descending)	10-1-0-0-0-0-8-0-8
	(Chlorine ascending)	10-1-0-0-0-0-8-1-7
Sensory:	(Bromine descending)	10-1-0-0-8-3-5
	(Ruthenium ascending)	10-1-0-8-4-4
Sympathetic:	(Iron descending)	10-1-0-0-0-8-2-6
	(Iodine ascending)	10-1-8-5-3

NINTH Cranial Nerve

Motor:	(Fluorine descending)	10-1-0-0-0-0-9-0-9
	(Cobalt ascending)	10-1-0-0-0-9-2-7
Sensory:	(Krypton descending)	10-10-0-9-3-6
	(Rhodium ascending)	10-10-9-4-5
Sympathetic:	(Argon descending)	10-1-0-0-0-0-9-1-8
	(Xenon ascending)	10-1-9-5-4

TENTH Cranial Nerve

Motor:	(Potassium ascending)	10-1-0-0-0-1-1-9
	(Gadolinium descending)	10-1-1-9-6-4
Sensory:	(Lead ascending)	10-1-3-7-8-2
	(Nickel descending)	10-1-0-0-1-2-8
Sympathetic:	(Protoactinium descending)	10-1-4-6-9-1
	(Fermium ascending)	10-1-5-5-1-0-0

ELEVENTH Cranial Nerve

Motor:	(Calcium descending)	10-1-0-0-0-2-2-0
	(Strontium ascending)	10-1-0-2-3-8
Sensory:	(Barium descending)	10-1-1-1-5-6
	(Bismuth ascending)	10-1-3-8-8-3
Sympathetic:	(Torbium descending)	10-1-2-0-6-5
	(Uranium ascending)	10-1-4-7-9-2

TWELFTH Cranial Nerve

Motor:	(Lanthanum descending)	10-1-1-2-5-7
	(Rhenium ascending)	10-1-3-0-7-5
Sensory:	(Dysprosium descending)	10-1-2-1-6-6
	(Polonium ascending)	10-1-3-9-8-4
Sympathetic:	(Neptunium ascending)	10-1-4-8-9-3

THIRTEENTH Cranial Nerve (Upper octave of 4th)

Motor:	(Cerium descending)	10-1-1-3-5-8
	(Holmium ascending)	10-1-2-2-6-7
Sensory:	(Astatine ascending)	10-1-4-0-8-5
	(
Sympathetic:	(Osmium descending)	10-1-3-1-7-6
	(Plutonium ascending)	10-1-4-9-9-4

FOURTEENTH Cranial Nerve (Upper octave of 5th)

Motor:	(Praseodinium ascending	10-1-1-4-5-9
	(Erbium descending	10-1-2-3-6-8
Sensory:	(Iridium descending	10-1-3-2-7-7
	(
Sympathetic:	(Radon descending	10-1-4-1-8-6
	(Americum ascending	10-1-5-0-9-5

FIFTEENTH Cranial Nerve (Upper octave of 6th)

Motor:	(Thulium descending	10-1-2-4-6-9
	(Francium ascending	10-1-4-2-8-7
Sensory:	(Neodimium descending	10-1-5-6-0
	(Platinum ascending	10-1-3-3-7-8
Sympathetic:	(Curium ascending	10-1-5-1-9-6

SIXTEENTH Cranial Nerve (Upper octave of 7th)

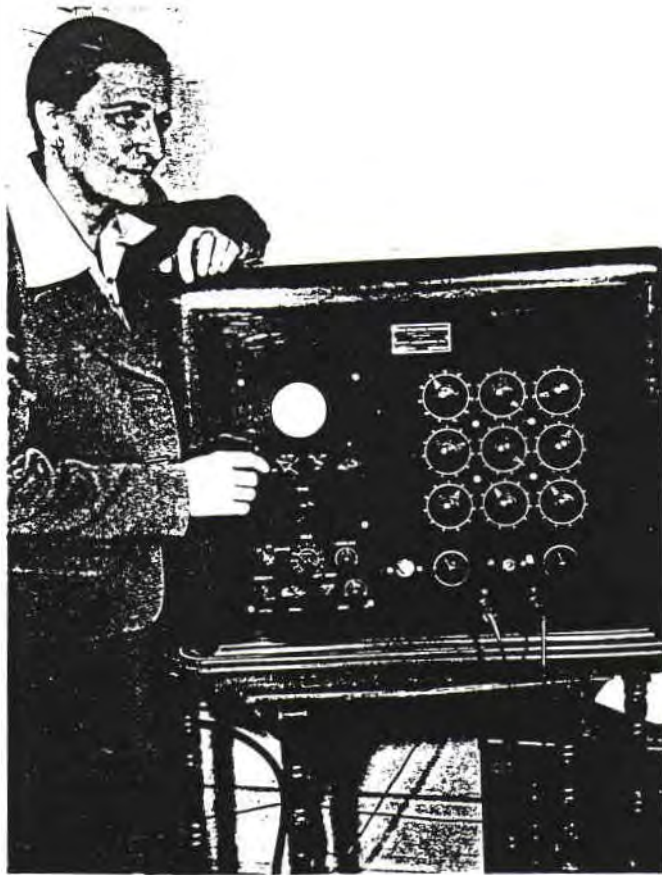
Motor:	(Radium descending	10-1-4-3-8-8
	(Gold ascending	10-1-3-4-7-9
Sensory:	(Promethium descending	10-1-1-6-6-1
	(Ytterbium ascending	10-1-2-5-7-0
Sympathetic:	(Berkelium ascending	10-1-5-2-9-7

SEVENTEENTH Cranial Nerve (Upper octave of 8th)

Motor:	(Samarium descending	10-1-1-7-6-2
	(Mercury ascending	10-1-3-5-8-0
Sensory:	(Lutetium descending	10-1-2-6-7-1
	(
Sympathetic:	(Actinium descending	10-1-4-4-8-9
	(Californium ascending	10-1-5-3-9-8

EIGHTEENTH Cranial Nerve (Upper octave of 9th)

Motor:	(Europium descending	10-1-1-8-6-3
	(Thallium ascending	10-1-3-6-8-1
Sensory:	(Hafnium ascending	10-1-2-7-7-2
	(Thorium descending	10-1-4-5-9-0
Sympathetic:	(Einsteinium ascending	10-1-5-4-9-9

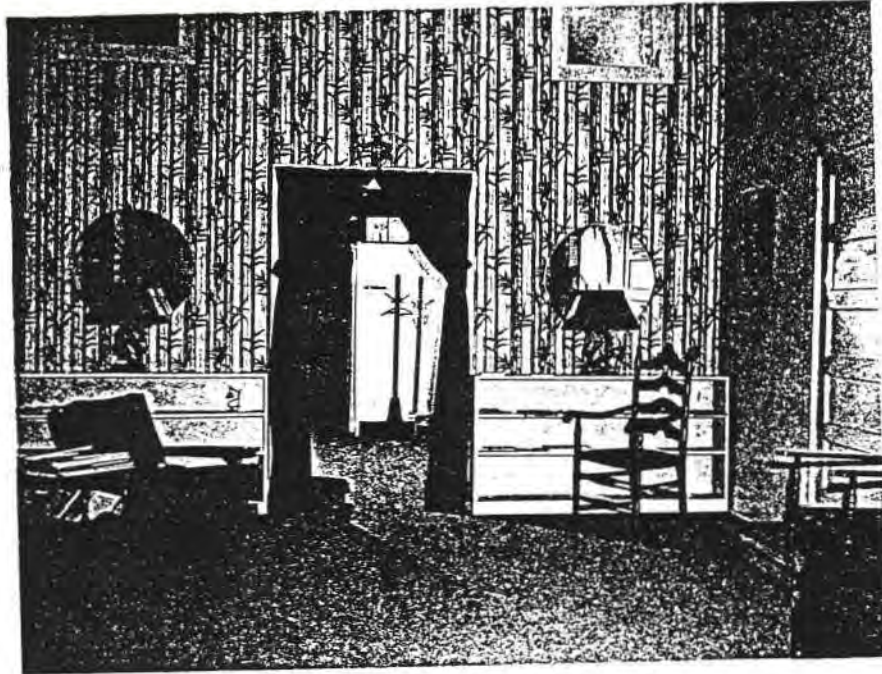


NOTE: These rates are not part of the Drown system but have been used in conjunction with them by some radionic researchers such as Peter Lindemann. We are including them for those who wish to use them in their research.

ACTIVITY CTRS.

The following Ctrs. are all located in the Base of the Brain, except the Mucosal Activity Ctrs., which are located in the supraorbital region. These Ctrs. seem to be diseased before the organ or system is affected, and are generally in a worse condition, than the work of the organ or system would indicate. For a cure these Activity Ctrs. must be brought back to normal. The rate for the Activity Ctr., that is to be tested, is put up on the first reflexophone. The S. V. area is to the left of the umbilicus, and the percentage is measured on the tenths and hundredths.

Bone Activity Ctrs., Rt. 134; Lft. 144.	
Joint Activity Ctr., 633, Rt. and Lft. side.	
Muscle Tendon Activity Ctr., 367.	
Integument Activity Ctr., 646, Rt. and Lft. side.	
External Mucosal Ctrs., 646. Rt. 355, Lft. 345, using 729.	
Internal Mucosal Ctrs., 646. Rt. 355, Lft. 345, using 711.	
Paresis Activity Ctr., 746, in health 0.	
Arterial System Activity Ctr., 392, Rt. and Lft. side.	
Paresis Activity Ctr.....	764
Integument Activity Ctr.....	646
Joint Activity Ctr.....	633
Sexual System Activity Ctr.....	523
Gall Bladder Activity Ctr.....	513
Sympathetic Nervous System Ctr.....	503
Spinal Cord Activity Ctr.....	493
Cerebellar Activity Ctr.....	483
Cerebral Activity Ctr.....	473
Activity Ctr. for Balancing Ctr.....	463
Thoracic Duct Activity Ctr.....	453
Bladder, Urethral Activity Ctr.....	443
Colon Activity Ctr.....	433
Ears Activity Ctr.....	423
Teeth, Gums Activity Ctr.....	413
Eyes Activity Ctr.....	403
Ileum Activity Ctr.....	393
Tongue Activity Ctr.....	383
Pleural Activity Ctr.....	373
Sinuses Activity Ctr.....	363
Trachea, Bronchi Activity Ctr.....	353
Spleen Activity Ctr.....	343
Tonsils, Salivary Gls.. Activity Ctr.....	333
Heart Activity Ctr.....	323
Liver Activity Ctr.....	313
Lung Activity Ctr.....	303
Pancreatic Activity Ctr.....	293
Lymphatic System Activity Ctr.....	283
Venous System Activity Ctr.....	273
Stomach Activity Ctr.....	263
Pineal Body Activity Ctr.....	253
Kidneys Activity Ctr.....	243
Lft. Aortic Ganglion Activity Ctr.....	233
Rt. Aortic Ganglion Activity Ctr.....	223
Lft. Carotid Body Activity Ctr.....	213
Rt. Carotid Body Activity Ctr.....	203
Aortic Bodies Lft. Side Activity Ctr.....	193
Aortic Bodies Rt. Side Activity Ctr.....	183
Lft. Adrenal Activity Ctr.....	173
Rt. Adrenal Activity Ctr.....	163
Lft. Parathyroid Activity Ctr.....	153
Rt. Parathyroid Activity Ctr.....	143



PART B
TECHNIC OF THE HOMO-VIBRA RAY
INSTRUMENT

The Homo-Vibra Ray is set up by placing the ground wire in position and fastening it preferably to a water pipe or a gas pipe making direct contact with the ground, or by attaching it to a metal rod running into the ground. The foot-plates are placed in the two openings marked "F" and the treatment cord placed in the opening marked "P".

When diagnosing, the foot-plates only are used, unless the operator wishes to localize over the patient's body. The foot-plates should be cleaned thoroughly with alcohol between patients.

Each patient must have his own electrode for treatment. If one patient's electrode is used on another patient, pain will be created in the second patient. The electrodes may cover all areas where the diagnosis has shown treatment is needed, or may be placed on one area and the other areas localized in the instrument.

Never attempt to treat a patient without first attaching the instrument to the ground. If the instrument is not grounded, the patient will not lose his pain and will be very much depleted.

(Let us say here for the benefit of those who do not know, that any patient who is weak and depleted should never take shower baths and stand in water over the drain, because the patient's magnetism is washed down with the water through the drain, leaving him depleted. Also, a weak patient, after having had a tub bath, should leave the tub and have someone else drain the water and clean the tub. If it is necessary to do this himself, he should leave the tub and put on a robe before starting to drain the tub. Too many people sit in the tub and drain the water while finishing the bath, and their own magnetism is drained through the drain pipes to the ground, leaving the patient with that much less reserve.)

In diagnosing with this instrument, the operator must first become thoroughly familiar with the disease detector, by passing the hand from the right side to the left in the vicinity of the center, horizontally across the detector with the proper speed of arm movement and with definite pressure from the

fingers upon the surface of the detector. After repeated attempts the operator will finally be able to distinguish the disease, or so-called "stick" on the detector from that of the ordinary rubber stick.

There is no electricity used in the instrument, but the patient should never make contact with electricity while on the instrument, for he is grounded to the earth and becomes part of the circuit. To do so could be very dangerous.

The grouping of the rates of vibration has been brought about with two definite principles in mind. The disease rates (which does not mean disease necessarily as the average layman knows it, but anything abnormal to the tissue) are registered on the master dial at the beginning, and the organ, gland and body tissue rates follow on the other dials. Thus, if cancer is registered, we would localize it through the different organs and tissues in this manner: Fifty, which is our rate for cancer, would be placed on the master dial and we would then proceed to look through the different body rates for localization. If registered in the right kidney, our rate would be 5037 (37 being our rate for the right kidney). While localizing disease in other organs, we would take off the rate for the right kidney. If it should register in another organ also, it would be possible to treat the two areas at one time if there are enough dials on the instrument to cover the rates.

In diagnosing, begin with the chart (Part A, Page 19) given to each doctor with his instrument. The master dial is turned to 0, and all glands and organs are located on the following dials, beginning with the second dial, and the function is measured on the ninth or 1/10 measuring dial. Commence with the suprarenal glands shown first on the chart, and follow in order. When turning from the right suprarenal (31072) to the left suprarenal (31078) it is necessary to turn only the fifth dial, changing the 2 to 8, which gives us the suprarenal gland. In checking the parathyroids, the second dial is the dial which is turned and the third dial is left on rate 9; as for the upper right parathyroid, the second dial is set at 5 and the third dial at 9; the lower right, the rate is 69; the upper left, the rate is 79; the lower left, the rate is 89.

Disease, inflammation, etc., are all localized through the instrument in any tissue or part of the body for which a rate is given. There will be new

rates and new discoveries from time to time. Each doctor possessing one of these instruments will be sent supplements to this article accordingly.

The principle of the Homo-Vibra Ray instrument is based on the theory that there are strata of different rates of vibration in the air circling the earth, as well as strata of different rates of vibration of rock, etc., through the earth, one being the solidification of the other. Therefore, our group of dials represents a group of strata of rates of vibration the same as the octaves on a piano. If we were to place our dials, theoretically speaking, one on top of the other, we would find that any number, for instance 10 on the master dial or 10 on the other dials, is in perfect harmony with the 1/10 on the measuring dial, and so on through the group of dials, only each dial would represent a different rate of vibration on the scale of music, we find the notes A or E or any note chosen, to be in perfect harmony with the same note on each octave, but with a different rate of vibration.

ENERGY FLOW, POSITIVE TO NEGATIVE

The principle of diagnosing with the Homo-Vibra Ray is that all positive energies flow toward the negative energies. Thus the positive force in the human body flows toward the ground, as our instrument is grounded. In using the human energy as the force that carries the radio-active ethers from the body to the ground, we are not able to pick it up at the present time by any other than that which is equal in every way to the human energy -- hence the reason for passing the hand over the detector to pick up the disease rate of vibration as it passes toward the ground. We find that the disease energy is positive to the ground energy, but it is negative to the total body energy, being but a small part thereof. Therefore it is that positive energy of the operator emanating from the tips of the fingers, coming in contact with the detector which causes a definite short in the passage of the disease energy or vibration from any localized tissue, organ or gland of the body. Any one of these, being but a part of the great whole, naturally is negative to the total. Any other energy would be a different rate of vibration and would take us out of the law that "like attracts like".

It has been difficult for the average physician to recognize the great vital life force which flows through everything in the universe, giving it its own

rate of vibration. When that rate of vibration changes, the substance recognized as a definite thing ceases to be that thing and becomes something else without ceasing to be a substance. Were commercial electricity used with this instrument, we would defeat our own purpose to the degree that we would waste the electric energy, for it would not find its own rate of vibration in the human body, and we would also obscure the flow of human energy to such a degree that the patient would receive only a portion of the treatment that he otherwise would receive were he to treat with his own energy unobscured.

Therefore, treatment with the Homo-Vibra Ray is a reversal of the polarity of the patient by sending the energy out through the electrode (contrary to the previous idea that the energy passed in through the electrode) back through the instrument through the definite rates discovered in our diagnosis and back to the body by way of the feet. When diagnosing, the energy leaves the body, passing toward the ground from the feet through the foot-plates. However, it is possible to diagnose with the patient hooked-up for treatment.

METHOD OF RUNNING A BLOOD COUNT

The master dial, instead of being used as a disease dial, is combined with the second dial for the blood rate (409). On the third dial the rate 1 is used, which gives 40 on the master dial, 9 on the second dial and 1 on the third dial, or 4091, our rate for haemoglobin. Then on the ninth dial (this being the 1/10 or measuring dial when used for measuring, but which may be used for definite treatment), turn to 10 and keep turning towards 0, passing the hand over the detector at least three times to each number before moving to the next. When a "stick" is received on the detector, we know that our rate registers at that number, and then we look at the chart in our Atlas and translate it, such as: 3/10 equals 103.0 haemoglobin on the chart. This chart seems to be high according to some authorities, but do not confuse haemoglobin with the color index, for it is very convenient to be able to designate the amount of haemoglobin and red corpuscles when dealing with a case of pernicious anaemia and differentiate it from secondary anaemia. In such cases it is almost invariably the rule that the haemoglobin content will be high and the color index low. The scale does

not matter, so long as the results can be read and interpreted.

The color index is found by multiplying the number of Erythrocytes by two and dividing the haemoglobin by the first two figures of this product and subtracting the result from 100.

METHOD OF MEASURING TEMPERATURE (Broadcast or Direct)

The master dial is placed on 40, the second dial on 5, the third, fourth, fifth and sixth dials on 0, the seventh dial on 9, the eighth dial on 8, the ninth or 1/10 measuring dial on 10. Then start passing the hand over the detector and moving the measuring dial down until the rate is found on which it shorts, or a "stick" is received, and if that rate happens to be 6/10, the other two dials being on 9 and 8, the rate will be 98.6 which is normal. However, if the dial gives a reaction when placed on 10, the operator would immediately know that the temperature was higher than 98.0. Then the ninth dial should be turned off and the eighth dial turned up to 10, which would read 90 and 10, or 100. If the reaction still registers, turn the seventh dial to 10, which would give the equivalent of 100 and the eighth dial would then read the addition, such as 10 and 8, 10 and 6, 10 and 2, whatever the number might be, and the tenths would be registered on the ninth dial, such as 102.4.

TECHNIC OF RUNNING THE URINE ANALYSIS

A very good idea of the kidney condition is obtained after making a complete test, so it is suggested that this be held as the last test in the diagnosis, and that it be checked with wisdom and understanding of the case, because it is found in dealing with the excretion of the urine, that the clinical test made in our laboratory is made with the urine after it has passed from the body and the test made of the urine in the body of the patient before being passed, gives a closer check-up of the condition. The results may be slightly different by the time the urine has passed from the body, such as the amount of specific gravity, crystals, etc. This depends on how many solids are retained in the body and the amount of water the patient has taken previous to micturition.

However, the technic is the same as in other tests; 609 is the urine rate in the body, 60 being

placed on the master dial and 9 on the second dial with the different rates on the following dials. In running the specific gravity, place 60 on the first dial, 9 on the second dial, 8 on the third dial, 7 on the fourth dial, 1 on the fifth dial, 0 on the sixth dial. To measure from 30 down (nothing above 30), place the last three dials on 10. Begin moving the ninth dial down until a reaction is registered. If 9 registers on the ninth dial, 10 and 10 on the seventh and eighth dials (10 and 10 equaling 20), the registration would read 1.020 and 9, or 1.029 specific gravity. If the specific gravity is not that high, the ninth dial may be entirely eliminated. If a "stick" is registered with the seventh dial on 10 and the eighth dial on 7, the specific gravity would be read 1.010 and 7, or 1.017.

The main part of our diagnosis is done by following the chart given with this instrument for the doctor's own use. (The doctor may give us the order for this printing, or he may give his own printer the work to do.) On this chart is given the function of all glands and organs of the body needed to designate a diagnosis. Diseases not shown on the chart are listed in the Atlas.

METHOD OF DETERMINING IMPINGED NERVES

(Our rate for impinged nerves is also called blocked nerves.) When there is an impingement, there will be a reaction on the detector. Cranial nerves are designated by the rate 2208, and the dial board will read 90632208, with the last two dials registering the number of the nerve impinged, e.g., 1 on the eighth dial, 2 on the ninth dial is the twelfth cranial nerve. The eleventh cranial nerve is found in the same way, 1 on the eighth dial and 1 on the ninth. Now turn the eighth dial to 0 and register on the ninth dial the tenth to the first cranial nerves. The cervical nerves are designated by 906344, with 0 on the sixth, seventh and eighth dials, measuring on the ninth dial, beginning with 8, the eighth cervical nerve, registering down to the first cervical nerve. The dorsal region is designated by rate 2 -- thus the dial board will read 90632, with 0 on the fifth, sixth and seventh dials, leaving the eighth and ninth dials to designate the number of the nerve impinged, e.g., 1 on the eighth dial and 2 on the ninth dial, designates the twelfth dorsal, and 1 on the eighth dial and 1 on the ninth, designates the eleventh dorsal. Then turn the eighth dial to 0, and register on the ninth dial from the tenth dorsal to the first dorsal.

The rate 21 is given to the entire lumbo-sacral-coccygeal area, because of the fact that the spinal cord ceases to grow much past the second lumbar. Thus, for the first coccyx, or ano-coccygeal nerve, the dial board will read 90632100 with 1 on the eighth dial and 1 on the ninth dial. Then turn the eighth dial off and the ninth dial to 10, and this is read as the fifth sacral, 9 as the fourth sacral, 8 as the third sacral, 7 as the second sacral, 6 as the first sacral. This brings 5 into its normal position as the fifth lumbar, and 4, 3, 2 and 1 as corresponding lumbar.

The function of any part of the body not otherwise designated on our chart is regarded as registering 10/10 normal function. For instance, take the right coronary artery of the heart -- while the heart muscle itself is designated as 4/10 normal function, the arteries (also the veins) throughout the body have a function of 10/10. If the right or left coronary artery registers low in function, the patient's condition is apparent. This is true of any part of the body.

Where there is a right and left organ and but one rate is given in the Atlas it is considered as the rate for the right organ, and the addition of 1 will give the rate for the left organ. Where there are exceptions to this rule, the rates for both the right and left organs are given in the Atlas.

FOR LOCALIZATION OR MEANS OF A CHECK-UP

To confirm the findings on the patient: place the disease rate on the instrument and pass the metal part of the treatment cord over the area of the patient's body where the disease has been localized through the instrument. When that particular area is touched, a reaction will be received on the detector. The metal part of the cord may be placed directly on the skin, but the energy will pass through the clothes as easily and efficiently.

METHOD OF PREPARING SPECIFIC REMEDIES USING SUGAR MILK PELLETS

It is suggested that the operator get any potency desired from the Homeopathic pharmacy, free from alcohol if possible, and also procure some sugar milk pellets, dry. In the specimen container of the instrument place a vial of the remedy to be used for poten-

tizing the plain sugar milk pellets. Turn all the dials to 0. Begin with 0 on the master dial, going upward until a reaction is obtained on the detector. Proceed with the second dial likewise; then the third and so on until all the dials on the instrument have been used in the same way. Write this rate in a book opposite the name of the remedy and keep for future use. Now, place on the foot plates a small piece of block tin of the type used for treatment electrodes, bent in the shape of a container. In this container place the sugar of milk pellets and fasten it to the foot-plates with the treatment cord. Leave the instrument set at the rate of the remedy and potentize until the sugar milk pellets register a "stick" when the remedy is removed from the specimen container.

Give the radio-potentized pellets to the patient, six of the small pellets, or three of the larger size every two hours the first day; every four hours the second day, and so on until there is an interval of twelve hours between doses. Then change the potency of the pellets to the next higher degree, and so on until the condition is eliminated. We find that many individuals lack certain cell salt vibrations which can be supplied in this way, thus hastening the healing.

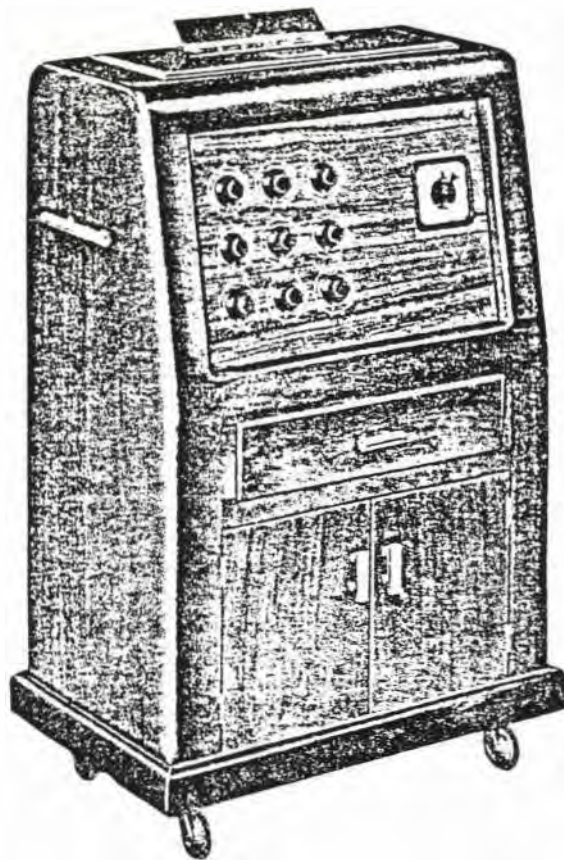
This instrument is also used for broadcasting, but since we do not use this as regular treatment, we give it only as a method still in its infancy, although many vital cases have been healed through this medium. To broadcast, place the blood sample in an envelope and connect it by the treatment cord to the foot-plates. The blood is always in tune with the patient as it is the only thing which maintains the same vibration throughout life.

METHOD OF DETERMINING BLOOD PRESSURE

Place the blood pressure rate on the instrument (40 on the master dial, 9 on the second dial, and 0 on the third dial), and determine whether the pressure is hyper (49096), hypo (490768) or normal (490374). The use of the computing system of adding 100 to the age of the patient and subtracting 10 will give the approximate normal blood pressure. To obtain the systolic pressure, add the systolic rate (142) to the blood pressure rate. Use the last three dials for measurement, the seventh and eighth dials signifying 100's and 10's respectively. The

diastolic pressure is obtained by adding the diastolic rate (149) to the blood pressure rate, and using the eighth and ninth dials, considering the points on the eighth dial as 10's.

BLOOD PRESSURE.	490
Hyper (over).	49046
Hypo (under).	490768
Normal.	490374
Diastolic	490149
Systolic.	490142
Tension	4904947



The Drown Radio-Vision Instrument

THE ENDOCRINE GLANDS

SUPRARENALS Secrete adrenalin, which controls in a
R-31072 measure the function of the blood
L-31078 vessels, especially through the sym-
patic nerves. There is a very direct
connection between the function of the suprarenals and
the thyroid, the intestinal secretions, kidneys, lungs and
heart.

PINEAL Secretions control brain growth in the young,
98 and continue to control cell growth of brain
and nerve tissue in the adult.

PITUITARY, Secretes a hormone controlling the growth
ANTERIOR of the long bones, which are blood-form-
694 ing, and also of the blood-forming bone-
marrow. It is very directly connected
with the sex function in the adult, and its lack of func-
tion promotes lack of vitality and weakness when in con-
junction with devitalized sex organs.

PITUITARY, Secretes pituitin, which in turn flows
POSTERIOR through the fluid in the spinal cord and
698 feeds the nerves as they pass through the
meningeal tissue. It also controls the
cell growth of the skin, which is formed by the same germ
layer in the embryo as the nerve and brain. Its lack
of function is usually found where the skin suppurates
and fails to heal, such as in lympho-sarcoma.

PANCREAS THE HEAD puts forth an internal
9972-HEAD secretion (although this is not gen-
997-TAIL erally accepted) which assists the di-
99719-ISLANDS gestion of fats and carbohydrates.
OF LANGERHANS Disease of this part causes the symp-
toms of ulcerated stomach and gas-
tritis.

THE TAIL secretes pancreatin, which empties through
the duct of Wirsung into the duodenum and assists in
digestion of fats, etc.

THE ISLANDS OF LANGERHANS secrete insulin. Their
lack of function usually comes after a prolonged over-
function, which has digested so much of the carbohy-
drates from the liver that the system is unable to handle
the sugar and it is passed out through the kidney.

UTERUS It is not definitely known that the uterus
954 has an internal function. However, as an
organ of elimination in the female its lack
of proper function often produce tumors.

OVARIES The internal secretions of these glands act
R-338 Int. to keep in circulation the minerals of the
R-336 Ext. body, such as phosphorus, sodium chloride,
L-334 Int. calcium and iron. This function seems to
L-332 Ext. be almost directly under the control of the
corpus luteum. The external function, while
adjusting in the formation of human bodies, produces a
secretion which also definitely controls the growth cells
in the parent body.

PROSTATE Lack of prostatic function in the male after
999 produces weakness of the legs and flabbiness
of the skin, and occasionally a disconnection
between brain and limbs through the motor nerves.

TESTICLES The internal function of the testicle acts to
R-788 Int. keep in circulation the minerals of the body,
R-786 Ext. while the external function is used for gen-
L-781 Int. erative purposes and secretes a substance
L-782 Ext. which controls the growth cells in the parent
body.

THYROID While the thyroid gland secretes thyroïdin,
R-687 it also has a definite action upon the brain
L-6871 cells and the sympathetic nervous system.
This in turn controls the circulation and
reacts upon the generative organs. It definitely governs
the formation of toxins, and reacts on the small intestine,
kidneys, suprarenals and lungs.

PARATHYROIDS THE UPPER RIGHT controls the tox-
UPPER R-59 ins, calciums, and the function of the
LOWER R-69 nerves of the head and neck.
UPPER L-79 THE LOWER RIGHT controls the tox-
LOWER L-89 ins, calciums, and the function of the
nerves of the body and limbs.

THE UPPER LEFT controls the toxins, calciums, and the
blood vessels of the head and neck.

THE LOWER LEFT controls the toxins, calciums, and the
blood vessels of the body and limbs through the sympa-
thetic nervous system.

SPLEEN Acts to filter the blood, segregating the
465 worn-out red cells, and starting the forma-
tion of bile. It also filters the worn-out
white cells and starts the formation of lymph. In addi-
tion, it controls the formation of red and white cells in
the bone-marrow.

LYMPH Act as scavengers of the toxic poisons of the
GLANDS body, controlling their elimination through
327 the circulatory system.

GENERAL DISEASES

Diseases

Abdominal Hemorrhage	7049
Abdominal Hernia	104859
Aberration, functional	5033
Abscess, Cerebral	30244
Abscess, Gastric	302321
Acetonemia (Diabetes Mellitus)	5094
Acetonuria	609969
Acidity	407
Acidity, sub (stomach)	551
Acid Diarrhoea	7064
Acidosis	5
Acoustic Atrophy	906228
Adenitis	90126
Adhesions	5011
African Sleeping Sickness	90898
Albuminuria	609779
*Amentia	80924
Amnesia	80624
<u>Amoeba</u>	<u>6073</u>
Amyloid Disease	50199
Amyloid, Tissue Infiltration	7095
Anaemia, Arterial	40972
Aneurysm, Aortic	4052
Aneurysm, Carotid	40894
Ankylosis	1073
Anthrax	4019
Aneuria	609711
Anxiety States	90769
Aorta Stenosis (Obstruction)	10911
Aphasia	1026
Aphasia (Hysterical)	10763
Arrhythmias (Cardiac)	906322810
Arterial Contusion	409735
Articular Fever	90279
Atrophic Emphysema	10277
Atrophy	906
Banti's Disease (Spleen)	5017
Basedow's Disease	30665
Bechterew's Disease (Spondylitis Deformans)	9079
Bell's Paralysis	5043
Benign Tumors	501
Bilious Fever	1032
Biliousness	4057
Bladder, Hernia	104862
Bleeding Gums	40959591
Blocked Nerves	9063
Blood Clot	80799
Blood Sugar	4095
Bloody Flux	40910
Botulism	60179
Brill's Disease (Typhus Fever)	70936
Bronchial Irritation	809984

6049
 Actino Mycosis

(probable)
 * Aids 50743 + remedy
 Salyngen through
 lymphothymus (327-396)
 Also drink BASIL tea.

Constipation - 4057 + 49638 cascara

Type 4 Cancer - 50-9-7-8

Diseases - Continued

Broncho-pneumonia	8024
Bruises	209
Burns (1st Degree)	7092
Burns (2nd Degree)	7094
Burns (3rd Degree)	7096
Bursitis	4028
Caecal Hernia	104882
Cancer, Medullary	50974
Cancer, Melanotic	70198
Cancer, Scirrhus	70194
Cancer Toxins	309
Canker Sore	7029101
(Canker sore due to 402 in 32; also 407 in 22 and pancreas; also 901547 in 32.)	
Carotid Aneurysm	40894
Caruncle, Urethra	10058
Catarrh	602
Cervicodorsal Neuralgia	7024
Chancre	5052
Chancroid	5054
Chicken-pox	6093
Chloasma	8047
Choking	90682
Cholelithiasis	20438
Collapse	90788
Contraction of Fascia	1024
Contracture	10101
Contusions	90101
Cough	9068
Cramp	702223
Dandruff	1062
Dermatoid Cyst	60178
Diarrhoea, Acid	7064
Diarrhoea, Amoeba Dysenterica	6093
Dilation	3065
Diplopia (Strabismus)	30971
Dislocation	8069
Distemper	601042
Diverticula of Esophagus	80610
Dropsy	6012
Ear Wax	406
Fatigue, Mental	3067
Fear	7031
Felon	8057
Fibroma	501
Flea Bite	4
Fluid (anywhere)	601
Gangrene	20777
Granuloma Coccidioides	40174
Gums, Bleeding	40959591
Gums, Receding	408111
Haemorrhage, Arrest	70393

(To arrest haemorrhage normalize parathyroids.)

glands (Farc.) = - 6049

Fever
(undulant)
90-7-4

Diseases—Continued

Hernia, Abdominal	104859
Hernia, Bladder	104862
Hernia, Caecal	104882
Hernia, Femoral	104849
Hernia, Inguinal	104845
Hernia, Strangulated	2091048
Hernia, Ventral	104843
Hiccough (Nerve, Phrenic)	1001096
Hiccough (Blocked Nerve to Epiglottis)	9063277
Hiccough (Inflammation of Pleura and Lung)	40776
Hiccough (Nerve to Pleura)	90117
Host to Syphilis	8044
Hot flashes, due to Sympathetic Nervous System (to Normalize)	70399
Hypertrophy	8040
Ichthyosis	307101
Impinged Nerves	9063
Insomnia	80573
Intra-cerebellar Pressure	10694
Intra-cerebral Pressure	10682
Intra-ocular Pressure	10280
Itching	90172
Kala-azar Infantile (Leishman's Ponsvani—also called Ponos)	359
Kidney, Large White.....	601379 (or 3719)
Kidney, Small White.....	60110101379 (or 3719)
Lie (Falsehood)	7077
Lipoma	2044
Malignancy	10722
Meningo Coccus	1042
Menstruation, Delayed	1041
Multiple Sclerosis (of Dorsal Region of Meninges)	901922
Multiple Sclerosis (of Lumbo-sacral Region)	9019221
Numbness	7074
Numbness in Arms.....	80579366
Numbness in legs.....	90774295
Nymphomania	8097462
Obsession, Elemental	9012
Obsession, Entity	4068792
Obsession, Habit	60834
Paralysis, Cerebral	4024
Paralysis, Facial	50421029
Parasites	1088
Parasites, Animal	1088103
Parasites, Fruit	1088146
Parasites, Human	1088119
Parasites, Vegetable	1088126
Parasitosis	9043
Parasitosis and Ova.....	9077
Pellagra, Intestinal	60422
Pellagra, Mental (Brain).....	6041332
Pellagra, Skin	604101

Diseases—Continued

Perforation	406
Pertussis	10343
Pneumonia, Broncho	8024
Poison Ivy	1034
Poison Oak	10188
Poison Sumac	10085
Pressure, Intra-cerebral	10682
Pressure, Intra-cerebellar	10694
Pressure, Intra-ocular	10280
Prolapsus of Organs.....	8087
Psora	408
Pterygium	10994
Pus (in teeth).....	1028
Pus, Malignant	40567
Pyorrhoea	408591
Rabies	10975
Radium Burn	8049
Ranula	8094
Receding Gums	408111
Ring-worm	8071
Scarlet Fever	10314
Scar Tissue	101
Sneezing	6023
Spider Bite	9011886
Staphylococcus	304
Stone in Gall Bladder.....	20438
Streptococcus	60
Swelling	401
Syphilis, Mexican	509
Tenia	8046
Thrombus	7068
Toxins (all Diseases)	6065
" Alcohol	3028
" Anger	3078
" Brain	30397
" Candy	8090
" Carbohydrates	5053
" Carcinoma	309
" Chicken-pox	6093
" Destroyed (inactive)	10489
" Diphtheria	206233
" Fatigue	3067
" Fats	6033
" Foods	7063
" Hate	8093
" Influenza	308104
" Lesion	10993
" Lues, Congenital	10192
" Malaria	30283
" Measles	10833
" Measles, German	10243
" Mumps	10173
" Pertussis	10673

Shingles (HERPES ZOSTER) P.27-

Diseases—Continued

"	Pneumonia	406183
"	Proteids	6073
"	Serums	40698
"	Small-pox	403
"	Streptococcus	6042
"	Typhoid	203143
"	Vaccine	10497
"	Venereal	40699
"	White Sugar	10493
Trench Mouth		20994
Tuberculosis (Cryptogenic)		402
"	Acquired (Human)	40215
"	Animal Parasite	4026
"	Avian	40223
"	(coming from cow's milk, or after vaccination)	40257
"	(coming from pollen (25) found on erigeron and often complicating hay fever)	40277
"	Fruit or Vegetable	4022
"	Inherited	4025
Tularemia		40833
Tumefaction		30785
Tumor, Serofibrinous		60104
Ulcer		30
Ulcerated Teeth		30449
Urethral Caruncle		10058
Uric Acid		506
	(This put through kidneys increases urine)	
Varicose Veins		2034
Warts		10972
Worms		9080
Worms, Animal		1046
Worms, Fluke		1003
Worms, Pin		102
X-Ray Burn		60578

Tape—
907980

Undulant Fever - 9074

DISEASES AND THEIR CAUSES

MENSTRUATION

Amenorrhoea

Acromegaly	309694
Addison's Disease	50112
Alcoholism, Chronic	9014004
Anaemia	20976
Anorexia Nervosa	40132
Atrophy of Uterus	906954
Cervical Catarrh	9052602
Chlorosis	40954093
Colitis	6021
Diabetes	
Insipidus	5092
Mellitus	5094
Ectopic Gestation	60239973 (or 2)
Endometritis	907651
Enteric Fever	709222
Exophthalmic Goitre	30665
Fibroids	501
Hysteria	70936
Lead-poisoning	9011609
Leukaemia	401465
Lymphadenoma	302758
Melancholia	10976
Mercurialism	9017046
Metritis	407651
Morphinism	9014056
Nephritis, Chronic	4037 (or 371)
Obesity	50699
Oophoritis	40338 (or 4)
Ovarian Cysts, Double	601338 (or 4)
Parametritis	40954
Pelvic Adhesions	5025101
Phthisis	40277 (or 76)
Renal Insufficiency	20737 (or 371)
Rheumatism, Acute of Nerve	702
Scarlatina	10743
Superinvolution	9065954
Tuberculous Kidney	40237 (or 371)
Ulcer of Stomach	30321

Dysmenorrhoea

Anaemia	20976
Anteflexion	90547
Cancer	50
Cervix, Long Conical	501 (or 508) 952
Chlorosis	4095
Congestion, Uterine	40149954
Ectopic Gestation	60239973 (or 2)
Endometritis	907651
Fibroids, Uterine	501954 (or 952)
Gout	502119
Hypertrophy of Uterus	401954
Neuralgia	80864

Obstruction	501 (or 508) 954
Oophoritis	40338 (or 334)
Ovary, Small Cystic	601338 (or 334)
Peritonitis, Pelvic	401653252
Polypus, Uterus	30795197
Retroflexion	90542
Retroversion	90548
Rheumatism	704
Salpingitis	502973 (or 2)
Stenosis of Canal	207952

Menorrhagia and Metrorrhagia

Abortion	90764954
Adenoma Internum	90126954
Alcoholism	9014004
Anteflexion	90547
Cancer of Uterus	50954 (or 952)
Chlorosis	4095
Cirrhosis of Liver	109148
Congestion of Uterus	401954
Ectopic Gestation	60239973
Endometritis	907651
Exophthalmic Goitre	30665
Fibroids	501
Granular Os	502952
Haematocele	409788 (or 781)
Haemophilia	4096
Heart Disease	4025
Hypertrophy of Uterus	401954
Inversion	4035954
Lead-poisoning	9011609
Leukaemia	401465
Malaria	302 04
Menopause	10
Metritis	407651
Miscarriage	10937 (or 4035)
Nephritis	4037 (or 371)
Oophoritis	40338 (or 334)
Ovaries, Displaced	4035338 (or 334)
Ovarian Growths	601338 (or 334)
Pelvic Cellulitis	40954101
Pelvic Peritonitis	401653252
Phosphorus-poisoning	901695
Polypus	30795197
Prolapsus Uteri	8087954
Purpura	10427101
Pyometra	60954
Retroflexion	90542
Retroversion	90548
Salpingitis	502973 (or 2)
Sarcoma	508954
Scurvy	108749
Subinvolution	7065954
Syphilis	505954
Uterus, Tuberculosis of	402954

3283 →

Vaginitis, Senile Granular.....	402095
Variola, Malignant	403101
Yellow Atrophy, Acute	2044048 (or 487)

Dyspareunia

Anal Fissure	706851
Bartholinitis	30293 (or 31)
Caruncle	40101
Cystitis	6062
Gonorrhoea	502
Haemorrhoids	
Internal	2015
External	2096
Hymeneal Orifice, Inflamed.....	40695
Labial Oedema	6016101 (or 6103)
Metritis	407651
Neuritis, Pudic	70511165
Oophoritis, Adhesive.....	101338 (or 334)
Ovary, Prolapsed	8087338 (or 334)
Perinaeal Laceration	403558
Urethritis	40439
Vaginismus	2074095
Vulvitis	40258

DISCHARGES

VAGINAL DISCHARGES

White Discharge (Leukorrhoea)	3071336 (or 332)
Anaemia	20976
Anteflexion	90547
Bartholinitis	30293 (or 31)
Cervical Catarrh	9052602
Endometritis, Chronic	907651
Erosions, Cervical	502952
Fibroid Tumors	50195
Gonorrhoea	502
Granular Cervix	502952
Hypertrophied Cervix	401952
Metritis, Chronic	407651
Pelvic Peritonitis	401653252
Polypus Vagina	3075195
Prolapsus Uteri	8087954
Salpingitis	502973 (or 2)
Sarcoma of Uterus.....	508954
Tubal Colic	502973 (or 2)
Vaginitis, Catarrhal	6095
Vaginitis, Granular	402095
Worms	9080
Sanguineo-purulent Discharge	
Cancer of Uterus.....	50954
Endometritis, Haemorrhagic	10427954
Endometritis, Purulent	6097651
Endometritis, Senile	2097651
Endometritis, Septic	60954

Trichomonas (Vaginal) 90837(95)

Metritis, Acute	407651
Pelvic Abscess	302525
Polypus	3075195

Offensive Discharge

Abscess, Pelvic	302525
Cancer of Uterus.....	50954
Death of Foetus.....	504379
Endometritis, Chronic	907651
Endometritis, Senile	2097651
Endometritis, Septic	60954
Fibroids, Cervical	501952

Shreds and Membranes

Abortion	90764954
Diphtheria	20932
Ectopic Gestation	60239973 (or 2)
Membranous Dysmenorrhoea	50667101
Miscarriage	10937 (or 4035)

Emission of Gas

Recto-Vaginal Fistula.....	706851 (or 95)
----------------------------	----------------

PAIN

GENERAL PAIN

Anaemia	20976
Anterior Poliomyelitis, Acute.....	40865
Diabetes	
Insipidus	5092
Mellitus	5094
Fevers	709
"Growing Pains"	507910
Gout	502119
Infantile Scurvy	108749
Influenza	308
Lead-poisoning	9011609
Lithaemia	407
Locomotor Ataxy	50592
Meningitis, Spinal	40279
Nephritis, Chronic	4037 (or 371)
Osteomalacia	402847
Periarteritis Nodosa	4049758
Rheumatism	704
Scurvy	108749
Syphilis	505
Trichinosis	90837

REGIONAL PAIN

Frontal Headache

Adenoids	90138
Anaemia	20976
Enteric Fever	709222
Eyestrain	501647
Fevers	709
Frontal Sinus Obstruction.....	606133

Gastritis	40321
Glaucoma	40269
Haemotoma of Dura Mater.....	80799279
Iritis	402534
Lithaemia	407
Malaria	302
Neurasthenia	40739
Periostitis	40359
Syphilitic Nodes	505889
Thrombosis of Sup. Long. Sinus.....	90768975
Trigeminal Neuralgia	808642285
Uraemia	50637371

Occipital Headache

Adenoids	90138
Cerebral Tumors	501 (or 508) 29 (or 291)
Cerebro-spinal Meningitis.....	4027929 (or 291)
Cervico-occipital Neuralgia	90274
Cirrhosis (of Kidney).....	109123
Constipation	7029
Diabetes	
Insipidus	5092
Mellitus	5094
Epilepsy	2092
Eyestrain	501647
Gout	502119
Locomotor Ataxy	50521
Naso-pharyngeal Disease	901389619
Nephritis, Chronic	4037 (or 371)
Neurasthenia	40739
Pharyngitis	4019
Rheumatism	704
Sphenoidal Disease	60284993
Syphilis	505
Syringomyelia	40297
Tongue Lesions, Basal.....	5081296
Uterine Diseases	40954

Unilateral Headache

Adenoids	90138
Antral Abscess	302254
Bone, Diseased	40284
Cancer of Tongue.....	501296
Carious Teeth	5024
Dysmenorrhoea	70101
Eyestrain, Unilateral	501647 (or 1)
Gouty State	502119
Hysteria	70936
Mastoid Abscess	602843
Migraine Headache	70964
Nephritis, Chronic	4037 (or 371)
Otitis Media	6013372
Polypus, Nasal	3075196
Trigeminal Neuralgia	808642285
Tumor, Cerebral	501 (or 508) 29 (or 291)
Wax in Meatus	40613372

Anaemia	20976
Chlorosis	4095
Constipation	7029
Epilepsy	2092
Hysteria	70936
Neurasthenia	40739

Unclassified Headaches

Abscess of Brain	30244
Addison's Disease	50112
Ague	30248709
Alcoholism	9014004
Amenorrhoea	801954
Anaemia	20976
Apoplexy	903
Arsenic-poisoning	901656
Asthma	70949
Atony of Stomach	107832
Aura Epileptica	2092
Catalepsy	90798
Chlorosis	4095
Cirrhosis of Kidney	109137 (or 371)
Compression of Brain	106821332
Congestion of Liver	40148
Constipation	7029
Coryza	904681
Diabetes	
Insipidus	5092
Mellitus	5094
Dilatation of Stomach	306532
Disseminated Sclerosis	90192
Duodenal Catarrh	60221
Dysmenorrhoea	70101
Dyspepsia	608
Dyspnoea	207494734
Embolism, Cerebral	90749
Encephalitis	401332
Epilepsy	2092
Erysipelas	70798
Exophthalmic Goitre	30665
General Paralysis	5042
Glandular Fever	709327
Glaucoma	40269
Gouty State	502119
Haematoma of Dura Mater	80799279
Haemorrhage	10427
Hay Fever	6096
Hereditary Cerebellar Ataxy	5079244
Hydrocephalus	10821
Hyperaemia of Brain	409411332
Hypertrophy of Brain	4011332
Hypertrophy of Heart	40125
Hysteria	70936
Influenza	308
Iritis	402534

Jaundice	40811
Lead-poisoning	9011609
Leukorrhoea	3071336 (or 332)
Lithaemia	407
Measles	10322
Measles, German	10374
Meningitis	40279
Meningitis, Cerebro-spinal	4029 (or 291) 279
Menopause	10
Mental Overstrain	9074
Morphinism	4056
Nephritis	4037 (or 371)
Neuralgia	80864
Neurasthenia	40739
Oophoritis	40338 (or 334)
Oxaluria	609252
Pachymeningitis	402791
Pneumonia, Acute	2017
Polycythaemia, Splenomegalic	401465
Polypus, Nasal	3075196
Pyrexia	709
Rheumatism	704
Softening of Brain	6011332
Spur of Septum	50115496
Sunstroke	407279
Syphilis	505
Tapeworm	907980
Tension, High Arterial	40904947
Thrombosis, Cerebral	909829
Tumor of Brain	5011332
Turbinated Bone, Enlarged	40115496
Typhus	709222
Uraemia	50637371
Valvular Disease	501256 (or 259)
Variola	403101
Weil's Disease	40118848

Eyeballs

Conjunctivitis	7041
Coryza	904681
Eyestrain	501647
Glaucoma	40269
Injuries	10923 (or 31)
Iritis	402534
Keratitis	303988
Migraine (Headache)	70964
Neuralgia of Fifth Nerve	808642285
Ophthalmoplegia Interna	50425993 (or 31)
Panophthalmia	403 (or 31)
Sphenoidal Sinusitis	60133

Earache

Abscess, Alveolar	302499
Abscess, Mastoid	402843
Anaemia	20976
Aneurysm of Innominate	40149744

Upper Jaw

Abscess, Alveolar	302499
Abscess of Pulp.....	30251499
Antrum, Disease of.....	60254
Cancer	5084864
-Caries	5024864
Exostosis, Dental	3084864
Neuralgia, Sup. Max.....	808641029
Periodontitis	40591
Periostitis	40359
Pulpitis	4051499
Salivary Calculus	204589

Lower Jaw

Abscess, Alveolar	302499
Abscess of Pulp.....	30251499
Actinomycosis	6049
Caries	5024
Exostosis, Dental	3084499
Fracture	907872
Mumps	10327
Neuralgia, Inf. Max.....	80864872
Periodontitis	40591
Pulpitis	4051499
Salivary Calculus	204589

Neck

Abscess	302523
Caries, Cervical	502444
Glandular Fever	709327
Caries of Temporal Bone.....	50284862
Chloroma	50277784
Eczema of Meatus.....	305313372
Foreign Body in Meatus.....	1047413372
Furuncle in Meatus.....	409213372
Gland, Inflamed Mastoid.....	602843
Herpes Auris	6024013372
Injuries	10929 (or 91)
Larynx, Ulcer of.....	3017
Mastoiditis	602843
Mumps	10327
Neuralgia, Trigeminal	808642285
Otitis Media or Interna, Acute.....	6013372
Perichondritis, Acute	40154
Pharynx, Ulcerated	3019
Polypus	307519 (or 91)
Pulpitis, Dental	4051499
Rheumatism, Temporomaxillary	902862864
Sphenoidal Sinusitis	602133
Tongue, Cancer of	501296
Tongue, Ulcer of	301296
Toxaemia	60659 (or 91)

Nose

Antral Disease	90138
Foreign Body	1047496
Frontal Empyema	602596

Glanders	6049
Syphilis	505
Innominate Aneurysm	40149744
Lymphadenoma	302758
Polymyositis	40599
Rheumatism	704
Strain	6093865
Syringomyelia	40297

Nape of Neck (Nucha)

Cerebellar Disease	401332
Cerebro-spinal Meningitis	4027929 (or 291)
Cervico-occipital Neuralgia	90274
Muscles, Sprained	40599
Neurasthenia	40739
Pharyngitis	40198
Rheumatism	704
Spinal Meningeal Haemorrhage.....	10427279
Tetanus	30785

Throat

Cancer	50966
Concretions in Tonsil.....	60206 (or 61)
Crico-arytenoid Arthritis	4049710909
Diphtheria	20932
Foreign Body	10474966
Laryngitis	4017
Naso-pharyngeal Catarrh	60296198
Pharyngitis	40198
Poisoning by	
Aconite	901558
Cantharides	9011026
Conium	9015239
Corrosives	90140517
Irritants	90148
Post-pharyngeal Abscess	302198
Quinsy	6026 (or 61)
Scarlatina	10743
Tonsillitis	40476
Tuberculous Pharyngitis	40240198
Tuberculous Tonsillitis	4026 (or 61)
Uvula, Swollen	401258

PAIN IN BACK

Spinal Pain

Apoplexy, Spinal	903279
Aneurysm, Abdominal	4014971233
Aneurysm of Descending Aorta.....	4014977898
Cancer of Liver.....	5048 (or 487)
Cancer of Spine.....	50297
Caries of Vertebrae.....	5024867
Cerebro-spinal Meningitis	4027929 (or 291)
Compression of Cord.....	90192297
Disseminated Sclerosis	90192297
External Spinal Pachymeningitis.....	402791297
Hyperaemia of Cord.....	409297

Hysteria	70936
Meningitis, Internal Spinal	40297
Mollities Ossium	60134533
Myelitis	40599
Neuralgia	80864
Neurasthenia	40739
Osteomyelitis	4084599
Osteitis Deformans	5015119428
Rheumatoid Arthritis	9027
Salpingitis	502973 (or 21)
Spinal Meningeal Haemorrhage	10427279
Sprains	70599279
Syringomyelia	40297
Traumatic Spondylitis	1092297
Tuberculous Spinal Meningitis	402279
Tumor of Cord	508297
Ulcer of Stomach	30321

Coccygeal Pain

Fissure of Anus	706851
Fistula	30-7-6 706
Haemorrhoids	
Internal	2015
External	2096
Injuries	1092188
Periproctitis	40851
Rheumatism	704
Sacro-coccygeal Tuberculosis	402854188
Uterine Diseases	40954

Sacral Pain

Ataxic Paraplegia	50592
Cancer of Rectum, Uterus, or Testis	50851 (or 954) (or 781) (or 788)
Cervical Catarrh	602952
Dysmenorrhoea	70101
Endometritis	907651
Fibroids	501954
Flexions of Uterus	4035954
Haemorrhoids	
Internal	2015
External	2096
Hip Disease	4021775
Inversion of Uterus	4035954
Metritis	907651
Neuralgia	80864
Orchitis	40788 (or 781)
Ovarian Disease	40338 (or 334)
Pelvic Peritonitis	401653252
Prolapsus Uteri	8087954
Retroversion	90548
Sacro-iliac Disease	402854374 (or 21)
Salpingitis	502973
Sarcoma of Uterus	508954
Scybala	8026127
Spinal Apoplexy	903279

Subinvolution	7065954
Tumors of Uterus.....	501 (or 508) 954

Lumbar Pain

Abscess, Lumbar	302987
Abscess, Perinaeal	3021653
Abscess, Rectal	50851
Aneurysm, Abdominal	4014971233
Appendicitis	6072
Calculus, Renal	2094
Calculus, Vesical	209462
Cancer of Spine.....	50297
Cancer of Stomach.....	50321
Caries of Spine.....	5024297
Cauda Equina, Tumor of.....	50821
Chorea	10393
Chyluria	908969
Curvature, Lateral.....	7052 (right) 70521 (left)
Cystitis	6062
"Diabetes, Phosphatic"	5094254
Dysmenorrhoea	70101
Embolism, Renal	407923
Enteroptosis	808722
Faecal Accumulation	7029
Fatigue	8069
Flatulence	6078927
Gravel	20 (or 56)
Hernia	104843
Hydatids	30291
Hydronephrosis	60123
Infantile Paralysis	20692
Influenza	308
Kidney, Floating	403537 (or 371)
Kidney, Tuberculous	40237 (or 371)
Kidney, Cancer of.....	5037 (or 371)
Lithaemia	407
Locomotor Ataxia	50592
Lumbago	40599193
Meningitis, Internal Spinal.....	40279
Meningitis, Tuberculous Spinal.....	402297
Miscarriage	10937 (or 4035)
Nephralgia	7037 (or 371)
Nephritis, Acute	4037371
Nephritis, Suppurating	6037371
Neuralgia, Lumbo-abdominal	80864193
Neurasthenia	40739
Oophoritis	40338 (or 334)
Pachymeningitis, External Spinal.....	402791
Parasite of Kidney.....	108837 (or 371)
Perinephritis	40379 (or 3719)
Pleurisy	407 (or 71)
Polycythaemia, Splenomegalic	401465
Prostatitis	40999
Pyelitis	6037 (or 371)
Pyonephrosis	60237 (or 371)

Retroflexion	90542
Thrombosis, Renal	909823
Tumor, Abdominal	501 (or 508) 1233
Typhoid Spine	203143279
Variola	403101

Interscapular Pain

Aneurysm of Descending Aorta.....	4014977898
Atony of Stomach.....	107832
Cancer of Stomach.....	50321
Caries of Dorsal Spine.....	5024183
Cerebellar Tumor	501 (or 508) 231
Cirrhosis of Stomach.....	109132
Flatulence	6078927
Gastric Irritation	4032
Gastric Ulcer	3032
Gastritis	40321
Mediastinal Abscess	302356
Mediastinal Tumor	501 (or 508) 356
Rheumatism	704
Tumor of Cord.....	508297

PAIN IN CHEST

Mamma

Abscess, Mammary	30273 (or 74)
Abscess, Retromammary	302738 (or 748)
Abscess, Tuberculous	40273 (or 74)
Cancer	5073 (or 74)
Cracked Nipple	1010194
Cyst, Multiple	10691
Ectopic Gestation	60239973
Hysteria	70936
Lobular Induration	50173 (or 74)
Mastitis, Chronic	4073 (or 74)
Menstruation	8014
Neuralgia	8086473 (or 74)
Obstructed Lacteal Duct.....	1024333
Ovarian Disease	40338 (or 334)
Pregnancy	60239

Sternum

Aneurysm, Thoracic	40149775
Angina Pectoris	7025
Aortitis	407898
Bronchial Calculus	2042392
Bronchial Glands, Enlarged.....	8054
Bronchitis, Acute	402392
Caries of Sternum or Spine.....	5024263 (or 297)
Foreign Body in Lungs.....	1047476 (or 77)
Gastric Irritation	4032
Influenza	308
Locomotor Ataxia	50592
Mediastinal Abscess	302356
Mediastinal Tumor.....	501 (or 508) 356
Oesophagismus	20735

Spinal Apoplexy903279
 Syphilis505

Pericardium

Anaemia20976
 Aneurysm401497
 Aneurysm of Heart.....40149725
 Angina Pectoris7025
 Aortic Cusp, Rupture of.....1092256 (or 9)
 Aortic Regurgitation402256
 Arsenic-poisoning901656
 Endocarditis403795
 Epilepsy2092
 Fibroid Disease of Heart.....50125
 Flatulence6078927
 Functioning Heart Disorder.....708987
 Gastritis40321
 Gastralgia40222
 Gout502119
 Heartburn407321
 Heartstrain609386525
 Hysteria70936
 Myocarditis, Acute405992572
 Pericarditis402587
 Pseudangina4081
 Syphilitic Heart50525
 Thrombosis of Pulmonary Artery.....9009534-9098
 Valvular Disease.....501256 (or 251)

Pain in Side

Caries of Spine.....5024297
 Cholecystitis20438
 Faecal Accumulation7029
 Flatulence6078927
 Fracture of Spine.....90784297
 Herpes Zoster60240101542
 Hysteria70936
 Intercostal Rheumatism704542
 Intercostal Neuralgia702542
 Pleura, Cancer of.....507 (or 5071)
 Pleurisy, Acute407 (or 4071)
 Pneumonia, Acute2017
 Pneumothorax1092675
 Ribs, Carious5024542
 Ribs, Fractured907542

shingles -

Right Hypochondrium or Pain over Liver

Abscess, Hepatic304248
 Abscess, Perinephric30223379 (or 3719)
 Abscess, Subphrenic505991096
 Cancer of Colon.....5027
 Cancer of Duodenum.....50221
 Cancer of Liver.....5048 (or 487)
 Cancer of Pancreas.....50997 (or 9972)
 Cancer of Pylorus.....50321
 Cancer of Stomach.....5032

Cholecystitis	20438
Cirrhosis of Liver.....	109148
Colic, Right Renal.....	209437
Constricted Liver	1010148
Cyanotic Liver	1010148748
Empyema of Gall-bladder.....	6038 -
Gallstones	20438
Hepatitis, Acute	4048
Herpes Zoster	60240101542
Hydatids, Inflamed	30291
Movable Kidney	20387
Neuralgia, Intercostal	702542
Periarteritis Nodosa	4049758
Perihepatitis	4056648
Peritonitis	401653
Pleurisy	407 (or 71)
Pneumonia	2017
Sprain	70599
Syphilitic Liver	50548
Ulcer, Duodenal	30221
Yellow Atrophy, Acute.....	2044048 (or 487)

Left Hypochondrium

Abscess, Perinephric	30223379 (or 3719)
Abscess, Subphrenic	505991096
Anaemia	20976
Aneurysm, Abdominal	4014971233
Cancer of Colon.....	5027
Cancer of Stomach.....	50321
Colitis	30127
Faecal Accumulation	7029
Gastric Catarrh	6032 60232
Gastroptosis	808732
Herpes Zoster	60240101542
Malaria	302
Movable Kidney	20387
Neuralgia, Intercostal	702542
Peritonitis	401653
Pleurisy	407 (or 71)
Renal Colic	209437 (or 371)
Spleen, Enlarged	401465
Splenic Infarct	10427465
Ulcer of Stomach.....	30321

Unclassified Chest Pain

Abscess, Mediastinal	302356
Aneurysm	401497
Atony of Stomach.....	107832
Bronchitis, Chronic	6024
Cancer of Lung.....	5077 (or 76)
Diaphragm, Neuralgia of.....	80864844
Dyspepsia	608
Emphysema of Lung.....	60277 (or 76)
Herpes Zoster	60240101542
Mollities Ossium	6013453
Myalgia	40599

Neurofibromata	5011109
Phthisis, Acute	40277 (or 76)
Pneumothorax	1092675
Pulmonary Embolism	407977 (or 76)
Rheumatism	704
Sprained Pectorals	70746
Syphilitic Periostitis	505359
Tumor of Mediastinum	501 (or 508) 356

PAIN IN ABDOMEN

Epigastrium or Pit of Stomach

Abdominal Angina	701233
Abscess, Subphrenic	505991096
Acute Yellow Atrophy.....	2044048 (or 487)
Addison's Disease	50112
Aneurysm, Abdominal	4014971233
Appendicitis Larvata	607898
Arsenic-poisoning	901656
Atony of Stomach	107832
Cancer of Pancreas	50997
Cancer of Pylorus.....	50321
Cancer of Stomach.....	5032
Caries of Spine.....	5024297
Cholecystitis, Acute	20438
Cholera, Asiatic	90118822
Cirrhosis of Stomach.....	109132
Dilated Right Ventricle.....	3065259
Dilatation of Stomach.....	306532
Distended Trans. Colon.....	306583
Enteroptosis	808722
Gallstones	20438
"Gout of Stomach".....	50232
Gastric Irritation	4032
Gastralgia	40222
Gastro-Intestinal Adhesions	1013222
Gastro-Cholecystic Adhesions	1013238
Gastritis, Acute Erythematous.....	40732
Gastritis, Chronic	4032
Hepatoptosis	808748
Hernia, Small Epigastric.....	104843
Hyperchlorhydria	8032110
Intercostal Neuralgia	702542
Irritant-poisoning	90148
Liver, Abscess of.....	304248 (or 487) -acute
Liver, Cancer of.....	5048 (or 487)
Liver Cyanotic	1010149748
Locomotor Ataxy	50592
Pancreas, Cancer of.....	50997
Pancreatic Calculus	204997
Pancreatitis, Acute	40997
Pericarditis	402587
Perihepatitis	4056648
Pleurisy, Diaphragmatic	4078044

Pneumonia	2017
- Strain of Recti Muscles.....	6093865851
Thrombosis, Pulmonary	909877 (or 76)
Ulcer of Duodenum.....	30221
Ulcer of Stomach.....	30321

Umbilicus

Abscess, Peritoneal	3021653
Cancer of Colon.....	5027
Cyst, Sebaceous	601101
Gallstones	20438
Gastric Ulcer	30321
Hernia	104859
Omental Cancer	504334
Oophoritis	40338 (or 334)
Spine, Caries of.....	5024297
Recti, Divarication of.....	8069851

Hypogastrium and Pelvis

Amenorrhoea	801954
Bladder, Cancer of.....	5062
Bladder, Distended	306562
Bladder, Tubercle of	40262
Bladder, Ulcer of	3062
Calculus	209462
Cancer of Uterus.....	50954
Chyluria	908969
Cystitis	6062
Dysmenorrhoea	70101
Endometritis, Chronic	907651
Endometritis, Gonorrhoeal	502954
Endometritis, Haemorrhagic	10427954
Endometritis, Septic	60954
Fibroid, Uterine	501954
Hypertrophy of Uterus.....	401954
Inversion of Uterus.....	4035954
Metritis, Acute	907651
Mollities Ossium	6013453
Neuralgia of Bladder.....	8086462
Neuralgia of Uterus.....	80864954
Oophoritis	40338 (or 334)
Pancreatitis	40997
Pelvic Abscess	30295
Pelvic Haematocele	409788 (or 781)
Pelvic Peritonitis	401653252
Perforation of Bowel.....	40627
Pericystitis	4062
- Phleboliths, Pelvic	204494525
Prolapsus Uteri	8087954
Pyelitis	6037 (or 371)
Retroversion	90548
Salpingitis	502973 (or 2)
Subinvolution	7065954
Tubal Colic	502973 (or 2)
Tubal Foetation	3079973 (or 2)
Tumor of Cord.....	501 (or 508) 297

Iliac or Ovarian

Appendicitis	6072 ✓
Caecum Mobile	808782
Cancer of Uterus.....	50954
Cervix, Eroded	502952
Colitis	6021
Diverticulitis	40806
Dysmenorrhoea	70101
Enteric Fever	709222
Floating Rib	4035542
Hernia	1048
Loaded Caecum	109282 (or 72982)
Loaded Sigmoid	702985
Neuralgia, Twelfth Dorsal.....	80864212
Neurasthenia	40739
Oophoritis	40338 (or 334)
Prolapsus Uteri	8087954
Renal Calculus	209423
Retroflexion	90542
Salpingitis	502973 (or 2)
Sigmoiditis	4085
Ureteral Calculus	2094668
Varicocele	3068

Groin, Pain in

Abscess, Spinal	302294 7
Calculus	2094
Cancer of Rectum.....	50851
Corn, Inflamed	4058442
Haemorrhoids	2015 (or 2096)
Hernia, Inguinal	104845
Hernia, Obturator Ventral.....	104843
Hernia, Umbilical	104859
Meckel's Diverticulitis	80627
Ovary, Prolapsed	8087338 (or 334)
Polypus, Rectal	30751851
Rider's Sprain	7059943 (or 42)
Saphenous Varix	306549443 (or 42)
Talipes Valgus	10937121
Tibia, Old Fracture of.....	907319
Tibia, Osteoma of.....	508319
Testicular Cysts	601788 (or 781)
Varicocele	3068

Colic

Abortion	90764954
Appendicular Colic	6078
Cancer of Bowel.....	5027
Colitis	6021
Diarrhoea	60764
Dysentery	6093
Food-poisoning	901201
Foreign Body in Bowel.....	1047427
Gallstones	20438
Henoch's Purpura	10427101

Hernia, Strangulated	2091048
Hydronephrosis	60123
Influenza, Intestinal	30822
Intestinal Concretion	20422
Intussusception	207222
Lead-poisoning	9011609
Locomotor Ataxy	50592
Neuralgia, Intestinal	8086422
Ovarian Cyst	601338 (or 334)
Pancreatic Calculus	204997
Peritoneal Adhesions	1011653
Pyloric Stenosis	101321
Renal Calculus	209423
Rheumatism, Intestinal	70422
Scybala	8026127
Uterine Fibroid	501954
Ureteral Calculus	2092668 (or 6681)

Unclassified Abdominal Pain

Abscess, Subphrenic	505991096
Achylia Gastrica	2074632
Aneurysm, Abdominal	4014971233
Aortic Regurgitation	402256
Cancer, Abdominal	501233
Caries, Spinal	5024297
Cholera	90118822
Colic	7027
Colitis	6021
Diarrhoea	60764
Dyspepsia	608
Ectopic Gestation	60239973 (or 2)
Embolism of Sup. Mesenteric Artery.....	4079497815
Enteritis	4027
Enteroptosis	808727 (or 22)
Enterospasm	1010122 (or 27)
Faecal Accumulation	7029
Foreign Body	10474
Gallstones	20438
Gastralgia	40222
Glands, Inflamed	40327
Glandular Fever	709327
Henoch's Purpura	10427101
Hernia	1048
Hernia, Diaphragmatic	10488044
Herpes Zoster	60240101542
Hydronephrosis	60123
Hysteria	70936
Ileus	7027
Influenza (Gastric form).....	308321
Intestinal Concretion	20422
Intestinal Obstruction	6084- ?
Intussusception	207222
Irritant-poisoning	90148
Kidney, Tuberculous	40237 (or 371)

Lead Colic	70911609
Leukaemia	401465
Locomotor Ataxy	50592
Lymphadenoma	302758
Meningitis, Spinal	40279
Mesenteric Cysts	601815
Myalgia	40599
Neuralgia, Lumbo-abdominal	808641233
Neurasthenia	40739
Ovarian Cyst	601338 (or 334)
Pancreatic Disease	40997
Perforation	40627
Periarteritis Nodosa	4049758
Pericarditis	402587
Peritonitis	401653
Pernicious Anaemia	50465
Pleurisy, Diaphragmatic	4078044
Pneumonia	2017
Pneumothorax	1092675
Polycythaemia, Splenomegalic	401465
Ptomainism	901201
Rheumatic Fever	604
Rheumatism	704
Spinal Tumor	508297
Tabes Mesenterica	402815
Thrombosis, Mesenteric	9098815
Ulcer of Intestine.....	30221

Perinaeum

Abscess, Ischio-rectal	50851835
Abscess, Perineal	3023568
Abscess, Prostatic	302999
Bartholinitis	30293 (or 311)
Bladder, Tuberculosis of.....	40262
Cancer of Bladder.....	5062
Cancer of Prostate.....	50999
Cancer of Rectum.....	50851
Calculus, Prostatic	2094979
Calculus, Vesical	209462
Condylomata	10972851
Cystitis	6062
Cystocele	601788 (or 781)
Epithelioma, Vaginal	40595
Fissure of Anus.....	706851
Fistula	30706
Haemorrhoids	2015 (or 296)
Locomotor Ataxy	50592
Mania	6049
Prostate, Adenomatous	501101999
Prostate, Tuberculous	402999
Prostatitis	40999
Rectum, Ulcer of.....	30851
Seminal Vesiculitis	402098
Testicle, Perinaeal	407883568

Uterine Disease	40954
Vaginitis, Acute	4095

Rectum

Abscess, Ischio-rectal	302851835
Abscess, Prostatic	302999
Cancer of Bladder	5062
Cancer of Prostate	50999
Cancer of Rectum.....	50851
Cancer of Uterus	50954
Colitis, Membranous	3061
Condylomata	10972851
Cystitis	6062
Dysentery	6093
Fissure of Anus	706851
Fistula	30706
Faeces, Impacted	608427
Foreign Body	10472851
Haemorrhoids	2015 (or 2096)
Locomotor Ataxy	50592
Neuralgia, Rectal	80864851
Perimetritis	40954
Salpingitis	502973 (or 2)
Ulcer, Rectal	30851
Vesiculitis, Seminal	402098

Penis

Bladder, Cancer of.....	5062
Bladder, Tuberculous	40262
Bladder, Ulcer of.....	3062
Bladder, Villous Growth of.....	5015862
Calculus, Ureteral	2094668
Calculus, Urethral	2094439
Calculus, Vesical	209462
Cystitis	6062
Fissure of Anus.....	706851
Gravel	20 (or 506)
Neuralgia	80864
Prostate, Abcess of.....	302999
Prostate, Adenomatous	501101999
Prostate, Cancer of.....	50999
Prostate, Tuberculous	402999
Renal Colic	4037 (or 371)
Stone in Ureter.....	2094668 (or 6681)
Stricture	407439
Urethral Granulations	2094439

Testicle

Abdominal Aneurysm	4014971233
Abdominal Tumor	5081233
Calculus, Renal	2094
Calculus, Vesical	209462
Cancer, Testicle	50788 (or 781)
Caries, Lumbar	5024193
Colon, Tumor of.....	501 (or 508) 27
Cysts	601

Embryoma	6013792
Epididymitis	407405
Gumma	505101
Hernia	1048
Haematocele	409788 (or 781)
Hydrocele	601788 (or 781)
Hydrocele, Encysted	10691788 (or 781)
Injury	1092788 (or 781)
Neuralgia	80864
Nodules in Epididymis	50158745
Orchitis	40788 (or 781)
Sarcoma Scrotum	5082098
Tuberculous Testis	402788 (or 781)
Varicocele	3068

PAIN IN LIMBS

Shoulder

Aneurysm of Innominate	40149744
Angina Pectoris	7025
Aortic Disease	40789
Atony of Stomach	1078321
Cancer of Liver	5048
Cervico-brachial Neuralgia	70599
Colitis	6021
Dental Caries	50247
Diaphragmatic Pleurisy	4078044
Duodenal Catarrh	60221
Duodenal Ulcer	30221
Fibrositis	105
Hepatic Abscess	304248
Hepatic Colic	6078948
Hepatic Congestion	40148
Hepatitis, Acute	4048 (or 487)
Mediastinal Tumor	508356
Neuritis	907651
Pleurisy, Acute	407 (or 71)
Pneumonia	2017
Progressive Muscular Atrophy	906599
Rheumatism	704
Synovitis	402008
Tumor of Suprarenal Capsule	50831072 (or 8)

Arm

Amytrophic Lat. Sclerosis	90192
Aneurysm, Subclavian	401497548
Angina Pectoris	7025
Atonic Dyspepsia	107832
Brachial Neuralgia	70599
Brachial Neuritis	7051109
Caries, Cervical	502444
Cervical Rib	6092542
Cervico-brachial Neuralgia	70599
Fibrositis	105
Neurasthenia, Traumatic	10924739
Neuroma	5011109

Pachymeningitis, Cervical	40279144
Paralysis Agitans	504252
Progressive Muscular Atrophy.....	906599
Rheumatism	704
Syringomyelia	40297
Tumor, Spinal	508297
Valvular Disease	501256

Hand

Chondroma	50175
Cout	502119
Neuritis	907651
Neuroma	5011109
Raynaud's Disease	20777101
Rheumatism	704
Rheumatoid Arthritis	9027
Teno-synovitis	40645
Trauma	109226
Tubercle	40226

Thigh

Abdominal Tumor	5081233
Aneurysm, Abdominal	4014971233
Aneurysm, Femoral or Popliteal.....	401497114
Cancer of Rectum.....	50851
Caries, Lumbo-Sacral	5024193854
Colon, Growth on.....	50827
Dysmenorrhoea	70101
Fibrositis	105
Hip Disease	4021775
Hysteria	70936
Impacted Faeces	608427
Infantile Scurvy	108749
Locomotor Ataxy	50592
Lumbar Abscess	302193
Meningitis, Spinal	40279
Metritis	907651
Neurasthenia	40739
Neuritis	907651
Neuroma	5011109
Ovarian Cyst	601338 (or 334)
Pelvic Cellulitis	40954101
Pelvic Tumors	508525
Perimetritis	40954
Periostitis, Femoral	40359114
Pregnancy	60239
Psoas Abscess	302987
Renal Calculus	2094
Sacral Glands, Enlarged.....	401327854
Sarcoma of Femur.....	50884114
Sarcoma of Innominate.....	50884497 (or 4971)
Sciatica	40351935
Uterine Displacement	4035954
Vesical Calculus	209462

Howship-Romberg Sign

Obturator Hernia	104843
------------------------	--------

Leg

Infantile Paralysis	20692
Lead-poisoning	9011609
Leukaemia	401465
Osteomyelitis	40843453
Periostitis	40359
Phlebitis	40494
Rheumatism	704
Sciatica	40351935
Spinal Meningitis	40279
Tuberculous Bone	40284

Foot

Corns	508442
Gout	502119
Locomotor Ataxy	50592
Movable Kidney	20389
Neurasthenia	40739
Ovarian Disease	40338 (or 334)
Periostitis	40359
Prostatic Disease	40999
Raynaud's Disease	20777442 422
Renal Calculus	2094
Rheumatism	704
Trauma	1092442 422
Tuberculous Bone	40284

Heel

Arthritis, Gonorrhoeal	9027
Gout	502119
Lithaemia	407
Neurasthenia	40739

Heel-Jar

Spinal Caries	5024297
---------------------	---------

Muscles (Myalgia)

Alcoholism	9014004
Anaemia	20976
Biliary Congestion	20448
Cerebro-spinal Meningitis.....	4027929 (or 291)
Cholera	90118822
Coryza	904681
Duodenal Catarrh	60221602-22
Enteric Fever	70922
Fibrositis	10522
Influenza	30822
Visceral Inflammations	401233
Locomotor Ataxy	50592
Muscular Rheumatism	704
Psittacosis	80843
Rheumatic Fever	604
Scurvy	108749
Septicaemia	60327
Sprain	70599
Syphilis	505

Trichinosis	90837
Tuberculous Meningitis	402279
Weil's Disease	40118848

Limbs, Pain in (Unclassified)

Abdominal Tumors	5081233
Adhesions, Peritoneal	1011653
Appendicitis	6072
Caisson Disease	109277 (or 76)
Cancer of Rectum.....	50851
Cancer of Bone	5084
Cauda Equina, Tumor of.....	50821
Compression of Cord.....	90192297
Diabetes	5094
Erythromelalgia	808642163
Exostosis	3084
Fevers	709
General Paralysis	5042
Glanders	6049
Haemophilia	4096
Hysteria	70936
Influenza	308
Kidney, Floating	20387
Lead-poisoning	9011609
Locomotor Ataxy	50592
Mollities Ossium	6013453
Muscle, Rupture of.....	1048599
Myalgia	40599
Myelitis	403453
Myelosarcoma	503453
Myositis	40599
Neurasthenia	40739
Oophoritis	40338 (or 334)
Osteitis	4084
Paralysis Agitans.....	504252
Periarthritis Nodosa	4049758
Periostitis	40359
Phthisis, Advanced.....	40277 (or 76)
Progressive Muscular Atrophy.....	906599
Rheumatism	704
Softening, Chronic.....	6013453
Spinal Apoplexy.....	903297
Spinal Meningitis.....	40279
Strains	6093865
Syphilis	505
Tetanus	30785
Thrombosis	9098
Tonsillitis, Follicular.....	40476
Trichinosis	90837
Tuberculous Bone.....	40284
Urticaria	901547
Uterus, Cancer of.....	50954

Joists

Arthritis, Gonorrhoeal.....	9027
Arthritis, Pneumococcal.....	9027217
Arthritis, Post-febrile.....	90279
Arthritis, Rheumatoid.....	902
Caisson Disease.....	109277 (or 76)
Cartilage, Displaced.....	4035154
Chorea.....	10393
Compression of Cord.....	90192297
Fibrositis.....	105
Glanders.....	6049
Gout.....	502119
"Growth Fever".....	507910
Gums, Septic.....	60591
Hip Disease.....	4021775
Infantile Paralysis.....	20692
Injuries.....	1092
Lead-Poisoning.....	9011609
Locomotor Ataxy.....	50592
Loose Cartilage.....	4035154
Myelitis, Acute.....	403453
Myelosarcoma.....	5083453
Neuralgia.....	80864
Phthisis, Advanced.....	40277 (or 76)
Pyæmia.....	60327
Recklinghausen's Disease.....	50110997
Rheumatism, Acute.....	704
Rheumatism, Chronic.....	902
Scurvy.....	108749
Synovitis.....	402008
Syphilis.....	505
Syringomyelia.....	40297
Tuberculous Joint.....	402119

CHARACTER OF PAIN

Sharp

Acute Inflammation of Serous Membranes.....	40766
Acute Inflammation of Synovial Membranes....	402008
Angina Pectoris.....	7025
Appendicitis.....	6072
Ectopic Gestation.....	60239973 (or 2)
Fractures.....	907
Gout.....	502119
Neuritis.....	907651
Pleurisy, Acute.....	407 (or 71)
Pneumothorax.....	1092675
Spinal Meningeal Haemorrhage.....	10427279

Dull

Chronic Inflammation of Serous Membranes.....	40766
Inflammation of Mucous Membranes.....	409766
Inflammation of Visceral Parenchyma.....	4023

Paroxysmal

Aneurysm.....	401497
Angina, Abdominal.....	7021233 - ?

Angina, Oesophageal.....	70235
Angina Pectoris.....	7025
Appendicitis	6072
Appendicular Colic.....	6078
Calculus of Pancreas.....	204907
Cancer of Pancreas.....	50997
Cancer of Oesophagus.....	5035
Cerebral Tumors.....	501 (or 508) 29 (or 291)
Clot in Ureter.....	80799668 (or 6681)
Colitis	6021
Colic	7027
Diabetes	5092
Disseminated Sclerosis	90192
Distended Bladder.....	306562
Dysentery	6093
Dysmenorrhoea	70101
Erythromelalgia	808642163
Floating Kidney.....	20387
Gallstone Colic.....	702438
Heart, Syphilitic.....	50525
Henoch's Purpura.....	10427101
Hepatic Aneurysm.....	40149748
Hernia	1048
Hydatids of Kidney.....	3029137 (or 371)
Intussusception	207222
Lead Colic.....	70911609
Locomotor Ataxy	50592
Mercurialism	9017046
Neuralgia	80864
Ovarian Cyst.....	601338 (or 334)
Pulpitis, Dental.....	4051499
Pyloric Ulcer.....	30321
Renal Calculus.....	2094
Scybala or Concretions.....	8026127
Spinal Meningitis.....	40279
Tic-douloureux	808642285
Tubal Colic.....	502973 (or 2)
Tuberculous Synovitis.....	402008
Ureteral Calculus.....	2094668 (or 6681)
Urethral Calculus.....	2094439
Vesical Calculus.....	209462
Uterine Cancer	50954
Uterine Fibroids.....	501954
Uterine Polypus	30795197

Radiating

Abdominal Aneurysm	4014971233
Acute Aortitis	40789
Aneurysm of Asc. Aorta.....	40149775
Aneurysm of Innominate.....	40149744
Angina, Abdominal	7021233
Angina Pectoris.....	7025
Aortic Regurgitation	402256
Atony of Stomach	107832

Caries of Spine.....	5024297
Cerebellar Tumors.....	501 (or 508) 231
Cervical Rib.....	6092542
Compression of Cord.....	90192297
Gastritis, Acute Erythematous.....	40732
Hepatic Colic.....	6078948
Hip Disease.....	4021775
Liver Affections.....	4048
Neuralgia	80864
Oophoritis	40338 (or 334)
Otitis Media, Acute.....	6013372
Pachymeningitis, External Spinal.....	40279
Pancreatic Calculus.....	204997
Pelvic Abscess	30295
Pulmonary Abscess.....	3027476 (or 77)
Rectum, Cancer of.....	50851
Renal Calculus.....	2094
Spinal Tumor.....	508297
Spinal Meningeal Haemorrhage.....	10427279
Spinal Meningitis, Internal.....	40279
Spleen Affections.....	40465
Uterine Fibroids.....	501954
Vesical Calculus.....	209462

Shifting Pain

Flatulence	6078927
Gout	502119
Hysteria	70936
Locomotor Ataxy	50592
Neuralgia	80864
Rheumatism	704
Spinal Tumor.....	508297
Tapeworm	907980
Trichinosis	90837

Gnawing or Boring Pain

Abdominal Aneurysm.....	4014971233
Cancer of Stomach.....	50321
Caries of Spine.....	5024297
Descending Thoracic Aneurysm.....	40149775
Gout	502119
Lithaemia	407
Mediastinal Growth.....	501 (or 508) 356
Periostitis	401653
Spinal Meningitis.....	40279

Increased by Food

Arsenic-poisoning	901656
Cancer of Stomach.....	5032
Cancer of Duodenum.....	50221
Cancer of Oesophagus.....	5035
Gastritis	40321
Renal Calculus	2094
Ulcer of Duodenum.....	30221
Ulcer of Stomach.....	30321

Relieved by Food

Appendicitis	6072
Cholecystitis, Chronic.....	20438
Gastralgia	40222
Hyperchlorhydria	8032110
Ulcer, Duodenal.....	30221

Relieved by Pressure

Colic, Abdominal.....	701233
Lumbago	40599193
Pleurodynia	70599542
Pleurisy	407 (or 71)
Muscle, Ruptured.....	1048599
Rib, Fractured.....	907542

Increased by Movement

Abscess, Local.....	302599
Abscess, Pelvic.....	302525
Appendicitis Larvata	607898
Arthritis	9027
Caries of Spine.....	5024297
Cartilage, Displaced.....	4035154
Faecal Accumulation	7029
Fibrositis	105
Fractures	907
Glandular Fever.....	709327
Gout	502119
Hernia, Obturator.....	104843
Lumbago	40599193
Myositis	40599
Neuritis	907651
Oophoritis	40338 (or 334)
Pachymeningitis, External Spinal.....	40279
Pelvic Cellulitis.....	40954101
Perinephritis	40379 (or 3719)
Peritonitis	401653
Pleurisy, Acute.....	407 (or 71)
Pleurodynia	70599542
Pneumonia, Acute.....	2017
Renal Calculus.....	2094
Rheumatism, Acute.....	702
Rheumatism, Muscular.....	704
Rheumatoid Arthritis.....	902
Ruptured Muscle.....	1048599
Salpingitis	502973 (or 2)
Sciatica	40351935
Spinal Column, Sprain of.....	70599279
Spinal Meningitis.....	40279
Spondylitis, Traumatic	1092297
Sprains	70599
Synovitis	402008
Tuberculous Joint.....	402119
Tumor, Cranial.....	501 (or 508) 84107
Tumor, Intracranial.....	501 (or 508) 29 (or 291)
Tumor, Spinal.....	501 (or 508) 297

Vesical Calculus.....	209462
Weil's Disease.....	40118848

Increased by Breathing or Coughing

Caries of Sternum or Spine.....	5024263 (or 297)
Cholecystitis	20438
Diaphragmatic Hernia.....	10488044
Diaphragmatic Pleurisy	4078044
Fractured Ribs.....	907542
Intercostal Rheumatism.....	704542
Perforation of Stomach.....	40632
Perihepatitis	4056648
Perinephritis	40379 (or 3719)
Peritonitis	401653
Pleurisy	407 (or 71)
Pneumothorax	1092675
Subphrenic Abscess.....	505991096
Trichinosis	90837

Increased at Night

Arthritis, Gonorrhoeal.....	9027
Carcinoma	50
Erythromelalgia	808642163
Locomotor Ataxy	50592
Neuritis	907651
Otitis Media	6013372
Osteitis	4084
Periostitis	40359
Renal Calculus.....	2094
Rheumatism	704
Syphilis	505
Tuberculous Joint	402119
Ulcer of Stomach.....	30321

Referred Pain

Angina Pectoris	7025
Dysmenorrhoea	70101
Heart Disease.....	4025
Liver Affections.....	4048
Ovarian Disease.....	40338 (or 334)
Renal Colic.....	209437 (or 371)

TENDERNESS

Scalp

Cerebral Tumor	501 (or 508) 29 (or 291)
Erysipelas	70798
Gumma	505101
Herpes	6024
Hydrocephalus	10821
Lupus Erythematosus	40249
Mastoid Abscess	602843
Meningitis	40279
Migraine	70964
Neuralgia, Cervico-occipital	90274
Neurasthenia	40739

Otitis Media	6013372
Recklinghausen's Disease	50110997
Rheumatism	704
Sclerodermia	501101
Seborrhoea, Acute	4011017
Syphilis, Congenital	507
Syphilitic Periostitis	505359
Thrombosis of Lateral Sinus.....	90989759
Trauma	1092
Trigeminal Neuralgia	808642285

Spine

Abscess, Lumbar	302987
Abscess, Mediastinal	302356
Abscess, Perinephric.....	30223379 (or 3719)
Abscess, Post Pharyngeal	302198
Abscess, Subphrenic	505991096
Aneurysm, Abdominal	4014971233
Arthritis, Rheumatoid	902
Cancer of Spine.....	50297
Caries of Spine.....	5024297
Caries Sicca	5024
- Compression of Cord.....	90192297
Gastritis	4032
Glands, Enlarged Bronchial.....	8054
Heart Disease	4025
Hepatic Colic	6078948
Hysteria	70936
Liver Disease	4048
Mediastinal Tumor	501 (or 508) 356
Meningitis, Cerebro-spinal	4029279
Meningitis, Spinal	40279
Myelitis, Chronic	403453
Neurasthenia	40739
- Neurasthenia, Traumatic	10924739
Spinal Apoplexy	903297
Spinal Periostitis	4084297359
Spondylitis, Traumatic	1092297
Spondylose Rhizomelique	402867
Tumors of Spine.....	508297
Typhoid Spine	203143279
Ulcer of Duodenum.....	30221
Ulcer of Stomach.....	30321

Lumbar Tenderness

Appendicitis	6072
Lumbar Abscess	302987
Nephritis, Acute	4037 (or 371)
Nephritis, Suppurative	6037 (or 371)
Perinephric Abscess	30223379 (or 3719)
Perinephritis	40379 (or 3719)
Renal Calculus	2094
Renal Cancer	5037 (or 371)
Renal Infarct	4042737 (or 371)

Chest

Abscess, Hepatic	304248
Aneurysmal Prominence	40149775
Angina Pectoris	7025
Bronchitis, Acute	402392
Caries of Sternum.....	5024263
Diaphragmatic Neuralgia	808648044
Empyema Necessitatis	6075327
Heart Strain	609386525
Herpes Zoster	60240101542
Hysteria	70936
Intercostal Neuralgia	702542
Intercostal Rheumatism	704542
Mediastinal Disease	40356
Myocarditis	405992572
Pericarditis	402587
Periostitis, Costal	40359542
Periostitis, Sternal	40359263
Phthisis	40277 (or 76)
Pleurisy, Acute	407 (or 71)
Pleurisy, Diaphragmatic	4078044

Mamma or Breast

Abscess	30274 (or 73)
Hysteria	70936
Mastitis	4074 (or 73)
Menstruation	8014
Oophoritis	40338 (or 334)
Pregnancy	60239

Right Hypochondrium

Abscess of Liver.....	304248 (or 487)
Actinomycosis	6049
Acute Yellow Atrophy.....	2044048 (or 487)
Asthma	70949
Cancer of Liver.....	5048 (or 487)
Cirrhosis of Liver, Hypertrophic.....	109148
Cyanotic Liver	1010148748
Empyema of Gall-bladder.....	6038
Fatty Degeneration of Liver.....	908948
Gallstones	20438
Hepatitis, Acute	4048
Hydatids, Inflamed	30291
Influenza	308
Jaundice, Obstructive	40811
Malaria	302
Myocarditis	405992572
Perihepatitis	4056648
Sarcoma of Liver.....	50848
Syphilitic Liver	50548
Weil's Disease	40118848

Left Hypochondrium

Anaemia, Splenic	20976465
Enteric Fever	709222

Impacted Faeces	608427
Influenza	308
Leukaemia, Spleno-medullary	508465
Malaria	302
Perisplenitis	40599465
Spleen, Abscess of.....	302465
Spleen, Cancer of.....	50465
Spleen, Infarct of.....	10427465

ABDOMINAL TENDERNESS

Epigastrium

Acute Yellow Atrophy.....	2044048 (or 487)
Addison's Disease	50112
Appendicitis Larvata	607898
Arsenic-poisoning	901656
Cancer of Stomach.....	5032
Cirrhosis of Stomach.....	109132
Dilated Right Ventricle.....	3065259
Gallstones	20438
Gastritis, Acute Erythematous.....	40732
Gastritis, Chronic	4032
Hypochondriasis	10976
Hysteria	70936
Irritant-poisoning	90148
Liver Tenderness	4048
Pancreas, Inflammation of.....	40997
Pericarditis, Acute	402587
Peritonitis	401653
Pleurisy, Diaphragmatic	4078044
Ulcer of Stomach.....	30321

Iliac

Abscess of Abdominal Wall.....	301233599
Alcoholism	9014004
Appendicitis	6072
Caecum Mobile	808782
Calculus, Renal	2094
Calculus, Ureteral.....	2094668 (or 6681)
Cancer of Caecum.....	5082
Cancer of Uterus.....	50954
Cervix, Eroded	502952
Dysmenorrhoea	70101
Enteric Fever	709222
Faecal Accumulation	7029
Hysteria	70936
Neuralgia of 12th Dorsal N.....	80864212
Oophoritis	40338 (or 334)
Pelvic Cellulitis	40954101
Pelvic Peritonitis	401653252
Pneumoperitoneum	20171653
Prolapsus Uteri	8087954
Psoas Abscess	302987
Retroflexion	90542
Sacro-iliac Disease	402854374

Salpingitis	502973 (or 2)
Sigmoiditis	4085
Tubal Gestation	60239973 (or 2)
Tubercle of Caecum.....	40282
Uterine Congestion	40149954
Erichsen's Sign	
Sacro-iliac Disease	402854374
Hypogastrium	
Bladder, Ulcer of.....	3062
Calculus, Vesical	209462
Cystitis	6062
Dysmennorrhoea	70101
Metritis, Acute	907651
Pelvic Peritonitis	401653252
Pericystitis	4062
Perimetritis	40954
Perinaeum, Tender	
Abscess, Ischio-rectal	50851835
Abscess, Prostatic	302999
Abscess, Urethral	302439
Haemorrhoids, Inflamed	40251 (or 296)
Proctitis	12 40851

THE EARS

Malformations	10937
Absent Auricles	109379 (or 91)
Fistulous Auricles	7069 (or 91)
Frostbite	1059 (or 91)
Tophi	
Gout in System.....	502119
Haematoma (Blood Tumor)	
Dementia	5073
Epilepsy	2092
General Paralysis	5042
Mania	6049
Melancholia	10976
Trauma	1092
Waxy Ears	
Addison's Disease	50112
Anaemia	20976
Chlorosis	4095
Frostbite	1059 (or 91)
Leukaemia	401465
Livid Ear	
Cold	904681
Dyspnoea	20494734
Malformation of Heart.....	1093725
Swollen Ear	
Abscess	3042
Blows	10919 (or 91)

Erysipelas	70798
Furunculosis	409213372
Gummata	5051019 (or 91)
Herpes	6024013372
Inflamed Tophi	40209 (or 91)
Mastoiditis	602843
Oedema	30785(9X91)
Gangrenous Ear	207779 (or 91)
Frostbite	1059 (or 91)
Raynaud's Disease	207779 (or 91)
Trauma	10929 (or 91)
Growths on Ear	501 (or 508) 9 (or 91)
Aneurysm, Cirroid	401497
Angelioma	4097199 (or 91)
Chondroma	501759 (or 91)
Dermoid Cysts	601789 (or 91)
Epithelioma	4059 (or 91)
Rodent Ulcer	50842309 (or 91)
Sarcoma	5089 (or 91)
Sebaceous Cyst	6019 (or 91)
Bleeding from Meatus	1042713372
Erosion	50213372
Fracture of Base of Skull	907844147
Otitis, Acute Haemorrhagic	4014279 (or 91)
Polypus	307519 (or 91)
Trauma	10929 (or 91)
Swelling in Meatus	4013372
Diphtheria	20932
Exostosis	308413372
Furuncle	409213372
Granulations	50213372
Mastoiditis	602843
Otomycosis	604913372
Parotid Abscess	3022795
Perichondritis	40154
Polypus	307519 (or 91)
Otorrhoea (Discharge from Meatus)	6013372
Abscess Bursting into Ear	302449 (or 91)
Carcinoma	509 (or 91)
Caries or Necrosis of Temporal Bone	20897
Diphtheria of Meatus	2093213372
Eczema of Meatus	305313372
Epithelioma	40513372
Foreign Body in Meatus	1047413372
Fracture of Base of Skull	907844147
Furuncle in Meatus	409213372
Granulations	50213372
Otitis Media, Suppurative	60413372
Otitis Media, Tuberculous	402413372
Pachymeningitis	402791
Polypus	30751

Sebacous Cyst, Suppurating.....	601691
Thrombosis of Lateral Sinus.....	90989759
Membrane Perforated or Ruptured	10915669 (or 91)
Middle Ear Suppuration.....	6013372
Trauma	109213372
Tuberculosis	40213372

THE HEARING

Deafness	2010
Adenoids	90138
Atrophy of Brain.....	9061332
Auditory Neuritis	70511808
Boil in Meatus.....	409213372
Congenital Defect	1093713372
Coryza	904681
Diphtheria	20932
Enteric Fever	709222
Eustachian Obstruction	2073226
Facial Paralysis	50422285
Haemorrhage, Intracranial	10427279107
Hay Fever	6096
Hydrocephalus	60184107
Hysteria	70936
Labyrinth, Tumor of.....	501 (or 508) 2855
Labyrinth, Cancer of.....	502855
Lead-poisoning	9011609
Lesion of Medulla.....	50844
Lesion of Pons.....	50829744
Lesion of Cerebellum.....	508231
Lesion of Corpora Quadrigemina.....	5081332
Leukaemia	401465
Locomotor Ataxy	50592
Measles	10322
Meniere's Disease	402855
Meningitis	40279
Meningitis, Cerebro-spinal	4029279
Mumps	10327
Nephritis, Chronic	4037 (or 371)
Otitis Interna	40122
Otitis Media	6013372
Pernicious Anaemia	50465
Pharyngitis	40198
Polypi, Aural	307519 (or 91)
Polypi, Nasal	3075196
Rheumatoid Arthritis	902
Ruptured Tympanum	10924433
Shock	10104
Syphilis	505
Typhus	709222
Uraemia	50637371
Wax in Meatus.....	40613372

Paracusis Willisii

Middle Ear Catarrh.....	60213372
Otosclerosis	90313372

Autophonia

Middle Ear Catarrh.....	60213372
-------------------------	----------

Tinnitus Aurium (Ringing in Ears.)

Alcoholism, Chronic.....	9014004
Anaemia of Brain.....	4081
Aneurysm, Cerebral	4084929 (or 291)
Apoplexy	104271332
Arterio-sclerosis	903
Aura Epileptica	2092
Blow upon Head.....	1092107
→ Catalepsy	90798
Cervico-occipital Neuralgia	90274
Cholera	90118822
Delirium Tremens	4040049
Enteric Fever	709222
Exophthalmos, Pulsating	3066549
Foreign Body	10474
— Fracture of Base.....	9078444
Gout	502119
Herpes Auris	6024013372
Hypertrophy of Heart.....	40125
Hysteria	70936
Indigestion	40322227
Labyrinthine Disease	4020855
Leukaemia	401465
Lithaemia	407
Malaria	302
Mania	60495
Mastoid Disease	602843
Meniere's Disease	402855
Meningitis	40279
Middle Ear Catarrh.....	60213372
Migraine	70964
Mumps	10327
Nephritis, Chronic	4037 (or 371)
Neurasthenia	40739
Obstructed Eustachian Tube.....	2073226
Otitis, Suppurative	6013372
Otosclerosis	90313372
Polypus, Aural	307519 (or 91)
Polypus, Nasal	3075196
Syphilis, Labyrinthine	5052855
Tapeworm	907980
Thrombosis, Cerebral	909829
Tumor of Brain.....	5011332
Typhus	709222
Wax in Meatus	40613372

Fistel-Symptom

Labyrinthine Fistula	7062855
----------------------------	---------

THE EYES

THE EYELIDS

Ecchymosed

Endocarditis, Infective	5023795
Fracture of Base.....	9078444
Haemophilia	4096
Infantile Scurvy	108749
Injuries	1092
Measles, Malignant	10322
Purpura Haemorrhagica	1042910196
Scurvy	108749
Straining	60938653 (or 311)
Thrombosis, Cerebral	909829 (or 291)
Typhus, Malignant	709222
Variola, Malignant	403101
Vomiting	90705
Whooping-cough	9079

Swollen Lid

Anaemia	20976
Anasarca	60102
Angioneurotic Oedema	40973785
Arsenic poisoning	901656
Cyst of Lid.....	601979
Dacryocystitis	409533 (or 311)
Erysipelas	70798
Frontal Sinus Distension.....	3065133
Glanders	6049827
Glaucoma	40269
Hay Fever	6096
Injuries	1092
Iodism	901884
Measles, German	10374
Mediastinitis	40356
Stye	409204
Tenonitis	403512
Thrombosis of Cavernous Sinus.....	90989759
Thrombosis of Long. Sinus.....	9098975
Trachoma	50740
Trichinosis	90837
Urticaria	901547
Variola	403101
Whooping Cough	9079

Darkened Lids

Amenorrhoea	801954
Anaemia	20976
Chlorosis	4095
Digestive Troubles	403222
Exophthalmic Goitre	30665
Fatigue	8069
Hepatic Colic	6078948
Leukorrhoea	3071336 (or 332)

Menorrhagia	6098954
Menstruation	8018 ?8014?
Phthisis	40277 (or 76)
Localized Swellings ↓ (mumps) <i>Dacryoadenitis</i> - 0327(953) ³ / ₃₁	
Chalazion	6015107
✓ Dacryocystitis	409533 (or 31)
Epithelioma	405
--Stye	409204
Tophi, Gouty	502499
✓ Trachoma	50740
Warts	10972
Xanthelasma	9089979
Nictitation (Blinking)	
Catalepsy ✓	90798
Chorea	10393
Epilepsy	2092
Exophthalmic Goitre	30665
Hysteria	70936
Neurasthenia	40739
Paralysis Agitans	504252
Temporal Caries	502484862
Trigeminal Neuralgia	808642285
Tumors	501 (or 508) 979
Drooping (Ptosis)	
Acute Ascending Paralysis.....	8087979
Apoplexy	5042592163
Bulbar Paralysis	903
Cerebro-spinal Meningitis	504286544
Concussion of Brain.....	4027929 (or 291)
Diphtheritic Paralysis	90748
Exophthalmic Goitre	20932542
Facial Hemiatrophy	30665
Facial Paralysis	9016562285
Gummata	50422285
Hysteria	50552976
Locomotor Ataxy	70936
Myasthenia Gravis	50592
Neurasthenia	50632281
Ophthalmoplegia Externa	90632281
Orbital Disease	40739
Paralysis Agitans	50425993 (or 31)
Paralysis of Third Nerve.....	403 (or 31)
Paralysis of Sympathetic	504252
Ptosis Congenita	50422283
Syringomyelia	50427393 (or 31)
Tetanus	8087
Trachoma, Old	40297
Trigeminal Neuralgia	30785
Tuberculous Meningitis	5074
Tumor of Crus	808642285
	402279
	501 (or 508) 42 (or 3)

Lid Always Open (Lagophthalmos)

Contraction of Scars	10142 (or 31)
Exophthalmic Goitre	30665
Facial Paralysis	50422285
Landouzy-Dejerine Paralysis	40118848
Leprosy	408
Tumor of Orbit	5013988

Crusted Edges

Eczema	3053
Intestinal Irritation	60422
Ophthalmia	40776
Stye	409204
Sycosis Tarsi	40979
Tinea Tarsi	30979

Stellwag's Sign

Action of Cocaine	90126
Exophthalmic Goitre	30665
Sympathetic Nerve Stimulation	409739

Graefe's Symptom

Action of Cocaine	90126
Exophthalmic Goitre	30665
Sympathetic Nerve Stimulation	409739

Kocher's Symptom

Exophthalmic Goitre	30665
---------------------	-------

THE CORNEA**Hazy**

Glaucoma, Acute	40269
Keratitis	3023988
Ulceration	303988

Arcus Senilis

Arterio-sclerosis	903
Fatty Heart	908925
Senility	3048

Keratitis, Symptomatic

Diabetes	5094
Exophthalmic Goitre	30665
Meningitis	40279
Paralysis, Trigeminal	50422285
Syphilis, Congenital	5073988
Tuberculosis	4023988
Tumor of Orbit	5013988

Ulcers

Catarrhal	60236
Diphtherial Ulcer of Eye	209323 (or 31)
Gonorrhoeal	5023
Herpetic	60243988
Phlyctenular	303998
Rodent Ulcer, Mooren's	50301013998
Simple	303998

Trachomatous	507403998
Tuberculous	402303998

Corneal Reflex Abolished

Coma	50637371
Diabetes	5094
Exophthalmic Goitre	30665
Hemiplegia	4096
Herpes Frontalis	401109596
Hysteria	70936
Meningitis	40279
Paralysis, Trigeminal	50422285

THE SCLEROTIC OR WHITE OF EYE

Pearly

Addison's Disease	50712
Anaemia	20976
Chlorosis	4095
Nephritis	4037 (or 71)
Phythisis	40277 (or 76)

Yellow

Alcoholism	9014004
Jaundice	40811
Melancholia	10976
Subconjunctival Fat	90893776

THE CONJUNCTIVA

Watery (Lacrymation)

Alcoholism, Chronic	9014004
Asthma, Spasmodic	402392
Chlorosis	4095
Conjunctivitis, Parinaud's	403776
Coryza	904681
Foreign Body	10474
Hay Fever	6096
Influenza	308
Iodism	901884
Irritants	9011021
Landouzy-Dejerine Paralysis	40118848
Measles	10374
Neuralgia, Trigeminal	50422285
Typhus	709222
Whooping-cough	9079

Pallid

Anaemia	20976
---------------	-------

Overflowing Tears (Epiphora)

Abscess of Sac	3042953
Blepharitis, Marginal	403979
Dacryocystitis	409533
Displacement of Punctum	8087304
Exophthalmic Goitre	30665

Facial Paralysis	50422285
Lupus	402101
Sclerodermia	501101
Septum, Deviate	403515496
Tumors, Orbital	5013988

Fixed Eye Balls

Epilepsy	2092
Exophthalmic Goitre	30665
Locomotor Ataxy	50592
Thrombosis	90983512

Purulent Discharge

Abscess of Sac.....	3042953
Conjunctivitis	403776
Diphtheritic	209323776
Gonorrhoeal	5023776
Simple	603776
Tuberculous	4023776

Protruding (Exophthalmos or Proptosis)

Aneurism of Orbit.....	4014973 (or 31)
Apoplexy	903
Arthritis, Rheumatoid	902
Asthma, Spasmodic	402392
Carcinoma	503 (or 31)
Chloroma	50277784
Cocaine	206
Cysts of Orbit.....	6013 (or 31)
Distension of Frontal Sinus.....	3065133
Dyspnoea	307494734
Encephalocele	10481332
Encephaloid Cancer	501332
Epilepsy	2092
Ethmoid Cells, Dilated.....	3065993
Exophthalmic Goitre	30665
Exostosis of Orbit.....	30843 (or 31)
Fracture of Orbital Plate.....	907384
Glaucoma, Acute	40269
Gumma of Orbit.....	5053 (or 31)
Hydatids of Orbit.....	302913 (or 31)
Hydrocephalus	60184107
Hypertrophy of Heart.....	40125
Infantile Scurvy	108749
Intranasal Growth	90138
Lacrymal Gland, Enlarged.....	401351
Lymphadenoma	302758
Lymphatic Leukaemia	401465327
Meningocele	1048327
Myopia	9063647
Nephritis, Chronic	4037 (or 371)
Ophthalmoplegia	50425993 (or 31)
Orbit, Tuberculous	4023 (or 31)
Orbital Periostitis	403593 (or 31)
Paralysis of Third Nerve.....	50422283

Retrobulbar Haemorrhage	104273709
Scurvy	108749
Sphenoidal Sinusitis	602133
Tenonitis	403512
Thrombosis of Cavernous Sinus.....	90989759
Thrombosis of Sup. Long. Sinus.....	9098975
Thymus, Enlarged	401396
Tumor of Antrum.....	501254
Tumor of Optic Nerve.....	5012282
Tumor of Orbit.....	5013988
Varix of Orbit.....	4014943 (or 31)
Vomiting, Persistent	90705

THE PUPILS

Pupils Dilated (One)

Aneurysm of Aorta.....	4014977898
Aneurysm of Innominate.....	40149744
Cataract	807
General Paralysis	5042
Glaucoma	40269
Lens, Dislocation of.....	80873777
Paralysis of Third Nerve.....	50422283
Pleural Effusion	6017 (or 71)
Tuberculous Meningitis	402279
Tumor of Brain.....	501 (or 508) 1332
Tumor of Neck.....	501523

Pupils Dilated (Both)

Acute Yellow Atrophy.....	2044048 (or 487)
Alcoholic Coma	901400456
Amaurosis	5075297
Anaemia	20976
Anaemia of Brain.....	40849
Aortic Regurgitation	402256
Apoplexy	903
Catalepsy	90798
Concussion of Brain.....	90748
Dementia, Acute Primary.....	2016
Diabetic Coma	509456
Diphtheritic Paralysis	20932542
Dyspnoea	207494734
Epilepsy	2092
Glaucoma	40269
Hydrocephalus	10821
Hysteria	70936
Melancholia	10976
Meningitis, Simplex	40279
Meningitis, Tuberculous	402279
Myelitis, Acute	403453
Myopia	9063647
Nausea	40932
Neurasthenia	40739
Pain, Acute	70

Ptomainism	90154722
Sunstroke	407279
Syncope	207497
Thrombosis, Cerebral	909829 (or 291)
Action of	
Alcohol	9014004
Belladonna	901488
Cocaine	90126
Pituitrin	6098
Tobacco	40476

Pupils Contracted (One)

Amaurosis of Spinal Origin.....	5075297
Aneurysm of Aorta.....	401497789
Cerebral Haemorrhage	903
Fracture of Base.....	9074107
General Paralysis	5024
Iritis	402534
Klumpke's Paralysis	906344
Lesion of Cord.....	508297
Locomotor Ataxy	50592
Migraine	70964
Paralysis of Sympathetic.....	50427393 (or 31)
Syringomyelia	40297
Tumor of Neck.....	501523

Pupils Contracted (Both)

Anaemia of Brain.....	40849
Apoplexy	903
Caries, Cervical	502444
Cerebral Hyperaemia	40929 (or 291)
Compression of Brain.....	106821332
Concussion of Brain.....	90748
Haematoma of Dura Mater.....	80799279
Haemorrhage into Pons.....	1042727944
Haemorrhage into Cerebellum.....	10427231
Hypermetropia	5063709
Iritis	402534
Locomotor Ataxy	50592
Mania	60495
Meningitis	40279
Meningitis, Cerebro-spinal	4027929 (or 291)
Mitral Stenosis	2072567
Morphinism	9014056
Retinitis	403709
Sunstroke	407279
Tuberculous Meningitis	402279
Typhus	709222
Uraemia	50637 (or 371)

THE VISION

Diplopia (Double Vision)

Alcoholism	9014004
Diphtheritic Paralysis	20932542

Disseminated Sclerosis	90192
Locomotor Ataxy	50592
Myasthenia Gravis	90632281
Ophthalmoplegia Externa	50425993 (or 31)
Paralysis of:	
External Rectus	504259931
Internal Rectus	504259933
Inferior Rectus	504259934
Superior Rectus	504259932
Inferior Oblique	504259938
Superior Oblique	504259936
Tumor of Brain.....	501 (or 508) 1332

Diplopia, Monocular

Astigmatism	20612
Cataract, Incipient	203988
Dislocation of Lens	80873777
Tumor of Brain	501 (or 508) 1332
Raynaud's Disease	20777101
Rheumatoid Arthritis	9027
Scotoma	90984943
Syringomyelia	40297

Chromatopsia or Color-Blindness

Congenital Defect	109373 (or 31)
Hysteria	70936
Kidney, Cirrhosis of	109137 (or 371)
Neurasthenia	40739
Optic Atrophy	906808
Optic Neuritis	70155808

Hemeralopia (Night-Blindness)

Ague	30248709
Nephritis	4037 (or 371)
Scurvy	108749

Muscae Volitantes (Black Specks)

Anaemia of Brain.....	4081
Cholera	90118822
Cataract	8087
Duodenal Catarrh	60221
Haemorrhage	10427
Hyperaemia of Brain	4094976
Hypertrophy of Heart.....	40125
Hysteria	70936
Liver Disorders	4048 (or 487)
Tumor of Brain	501 (or 508) 1332

Sparks or Flashes

Apoplexy	903
Aura epileptica	2092
Epilepsy	2092
Hyperaemia of Brain.....	4094976
Hypochondriasis	10976
Hysteria	70936
Insanity	60495

Meningitis	40279
Migraine	70964
Neurasthenia	40739
Thrombosis, Cerebral	909829 (or 91)
Tumor, Cerebral	501 (or 508) 29 (or 291)
Garel's Sign	
Empyema of Antrum.....	60254
Photophobia (Intolerance of Light)	
Anaemia of Brain.....	40849
Arsenic-poisoning	901656
Cerebro-spinal Meningitis.....	4027929 (or 291)
Conjunctivitis	403776
Encephalitis	401332
Gastritis, Acute	70321
Hyperaemia of Brain.....	4094976
Hysteria	70936
Iritis	402534
Keratitis	3023988
Measles	10322
Meningitis	40279
Migraine	70964
Neuralgia, Trigeminal	808642285
Neurasthenia	40739
Retinitis	403709
Trichinosis	90837
Typhus	709222
Ulcer of Cornea	303988
Whooping Cough	9079
Amblyopia	
Acromegaly	309694
Alcoholism	9014004
Atrophy of Brain.....	9061332
Diphtheritic Paralysis	20932542
Haemorrhage	10427
Hydrocephalus	60184107
Locomotor Ataxy	50592
Mercurialism	9017046
Migraine	70964
Neurasthenia	40739
Syringomyelia	40297
Tumor of Brain.....	501 (or 508) 1332
Crossed Amblyopia	
Haemorrhage, Cerebral	903
Macropia and	
Micropia	
Epilepsy	2092
Fatigue of Retina	30673709
Amaurosis or Blindness from extra-ocular causes	
Alcoholism	9014004
Amenorrhoea	801954
Anaemia of Brain	4081

Cerebellar Disease	401332
Cerebral Haemorrhage	903
Cerebro-spinal Meningitis	4027929 (or 291)
Chloroma	50277784
Cirrhosis of Kidney.....	109137 (or 371)
Embolism of Brain.....	90749
Epilepsy	2092
Hydrocephalus	10821
Hysteria	70936
Lead-poisoning	9011609
Locomotor Ataxy	50592
Meningitis	40279
Migraine	70964
Softening of Brain.....	6011332
Suppression of Menses.....	801954
Syphilis	505
Tobacco, Abuse of.....	201779
Tumor of Brain.....	501 (or 508) 1332
Uraemia	50637 (or 371)

THE NOSE

Red

Acne Rosacea	9083
Alcoholism	9014004
Amenorrhoea	801954
Boil	4092
Dyspepsia	608
Erysipelas	70798

Nose Swollen

Erysipelas	70798
Injury	10972

Gangrenous Tip of Nose

Lupus	402101
Raynaud's Disease	20777101
Syphilis	50596

Distension of Transverse Nasal Vein

Adenoids	90138
----------------	-------

Sneezing

Adenoids	90138
Asthma	70949
Coryza	904681
Ear, Irritation in.....	409 (or 91)
Gout	502119
Hay Fever	6096
Hysteria	70936
Iodism	901884
Measles	10374
Polypus	3075196
Spur of Septum.....	50115496
Whooping Cough	9079

THE NOSTRILS

Obstructed Nostrils

Abscess of Septum	302415496
Adenoids	90138 ^v
Antrum, Distended	3065254 ^v 2
Coryza	904681
Cyst, Middle Turbinated.....	601154484
Diphtheria	20932
Eczema Crusts	305396
Exostosis	3084
Foreign Body	10474
<i>Actinimycosis</i> — Glanders	6049
Gummata	50596
Haematoma of Septum.....	409215496
Hay Fever	6096
Malignant Disease	5096
Pharynx, Growth in.....	501 (or 508) 19
Polypus	3075196
Post-pharyngeal Abscess	30219
Sinusitis	6036
Spur of Septum.....	50115496
Syphilis	50596
Tubercle	40296
Turbinated Bone, Enlarged.....	40115496
Typhus	709222
Variola	403101

RHINORRHOEA

Watery or Mucous

Arsenic-poisoning	901656
Bronchitis	6024
Coryza	904681
Foreign Body	10474
Fracture of Base.....	907844
Hay Fever	6096
Influenza	30896
Iodism	901884
Measles	10374
Spasmodic Asthma	402392
Trigeminal Neuralgia	808642285
Typhus	709222
Whooping Cough	9079
Worms	9080

Purulent Discharge or Ozaena

Cancer	50
Caries of Ethmoid.....	5042993
Diphtheria, Nasal	2093296
Empyema of Antrum.....	60254
Empyema of Frontal Sinus.....	60133
Foreign Body	10474
Glanders	6049
Gonorrhoea	502

Lupus	402101
Necrosis	3023
Sarcoma	508
Scarlatina	10743
Syphilis, Hereditary	507
Syphilis, Tertiary	50559
Tuberculous Rhinitis	40296
Ulceration	3096

Epistaxis or Bleeding

Adenoids	90138
Ague	30248709
Alcoholism	9014004
Amenorrhoea	801954
Anaemia	20976
Angioma	40971996
Aortic Insufficiency	109101
Arsenicism	901884
Arterio-sclerosis	9038
Bronchial Glands, Enlarged.....	8054
Bronchitis	6024
Carcinoma of Nose.....	5096
Caries, Nasal	502496
Catarrh, Chronic Nasal.....	60296
Chloroma	50277784
Chlorosis	4095
Cirrhosis of Kidney.....	109137 (or 371)
Cirrhosis of Liver.....	109148 (or 487)
Diphtheria	20932
Dysentery	6093
Emphysema of Lung.....	60277 (or 76)
Enteric Fever	709222
Erysipelas	70798
Fibroma of Nose.....	50196
Foreign Body	1047496
Fracture of Base.....	9078444
Goitre	30665
Haemophilia	4096
Hyperaemia of Brain.....	40940976
Hypertrophy of Heart.....	40125
Infantile Scurvy	108749
Influenza	308
Jaundice	40811
Leukaemia	401465
Measles	10374
Menopause	10
Mitral Stenosis	2072567
Nephritis, Chronic	4037 (or 371)
Ovarian Disease	40338 (or 334)
Peritonitis	401653
Pernicious Anaemia	50465
Phosphorus-poisoning	901695
Pleurisy	407 (or 71)
Polypus	30751
Psittacosis	80843

Purpura Haemorrhagica	1042910196 -
Sarcoma of Nose.....	50896
Scarlatina	10743
Scurvy	108749
Telangiectasis	409719
Thymus, Enlarged	401396
Tuberculosis	40296
Tumors of Neck.....	501523
Ulcer of Nose.....	3096
Varicosities	203496
Whooping-cough	9079
Worms	9080
Yellow Atrophy, Acute.....	2044048 (or 487)

SENSATION

PARASTHESIAE

Numbness	7074
Aneurysm	401497
Appendicitis	6072
Apoplexy	903
Apoplexy, Spinal	903279
Arteritis	40497
Aura Epileptica	2092
Cervical Rib	7074694542
Circulation, Defective	3065494 (or 497)
Disseminated Sclerosis	90192
Emboli	4079
Hyperaemia, Spinal	409297
Hysteria	70936
Hysterical Oedemá	709363785
Leprosy	408
Locomotor Ataxy	50592
Myelitis, Acute	403453
Neuralgia	80864
Neurasthenia	40739
Neuritis	907651
Neuroma	5011109
Pressure upon a Nerve-trunk.....	501-1-109279
Recklinghausen's Disease	50110997
Sciatica	40351935
Spinal Tumor	508297
Softening, Chronic Spine.....	601297
Syringomyelia	40297
Tetany	30785
Thrombosis	9098297
Itching, Formication or Tingling	
Anaemia of Brain.....	4081
Aneurysm	41497
Apoplexy	903
Arsenic-poisoning	901656
Arteritis	40497
Arthritism	502497

Aura Epileptica	2092
Cervical Rib	7074694542
Chilblain	808642163
Dermatitis	40101
Diabetes Mellitus	5094
Disseminated Sclerosis	90192
Drug Rashes	90163101
Eczema	3053
Embolism	4079
Encephalitis	401332
Faecal Accumulation	7029
Gout	502119
Hemorrhoids	2015 (or 2096)
Hyperaemia of Brain.....	409411332
Hypertrophy of Heart.....	40125
Hypochondriasis	10976
Hysteria	70936
Jaundice	40811
Leukorrhoea	3071336 (or 332)
Locomotor Ataxy	50592
Lymphadenoma	302758
Meningeal Haemorrhage, Spinal.....	10427297
Menopause	10
Myelitis	403453
Nephritis	4037 (or 371)
Neurasthenia, Traumatic	10924739
Neuritis	907651
Pressure on a Nerve.....	501109279
Psoriasis	4087
Pyodermatitis Vegetans	60210195
Scabies	1087101
Sciatica	40351935
Seborrhoea	4011017
Spinal Apoplexy	903279
Spinal Hyperaemia	4096297
Spinal Meningitis	40279
Syphilitic Spinal Paralysis.....	505542279
Syringomyelia	40297
Tetany	30785
Thrombosis	9098
Tumors of Brain.....	5011332
Tumors of Spinal Cord.....	501 (or 508) 297
Urticaria	901547
Uterine Disease	40954
Variola	403101
Worms	908

Palpitation

Amenorrhoea	801954
Anaemia	20976
Aneurysm, Thoracic	401497769
Angina Pectoris	7025
Arterio-sclerosis	903
Ascites	601753
Chlorosis	4095

Cirrhosis of Kidney.....	109137 (or 371)
Dyspepsia, Flatulent	608
Epilepsy	2092
Exophthalmic Goitre	30665
Fatty Heart	908925
Fibroid Heart	50125
Hysteria	70936
Locomotor Ataxy	50592
Malformations of Heart.....	1093725
Mediastinal Growth	501356
Menopause	10
Neurasthenia	40739
Ovarian Cyst, Large.....	601338 (or 334)
Paroxysmal Tachycardia	50132122810
Pericarditis	402587
Pericardium, Adherent	1012587
Pernicious Anaemia	50465
Pregnancy	60239
Tumors, Abdominal	5081233
Tympanites	607891233
Valvular Diseases	501256 (or 259)
Ventricle (Dilated Right)	3065259

Heartburn (Cardialgia)

Cancer of Stomach.....	5032
Dilatation of Stomach.....	306532
Gastralgia	40222
Gastritis	4032
Indigestion	608
Pregnancy	60239
Ulcer of Stomach.....	30321
Ulcer of Duodenum.....	30221

Praecordial Anxiety or Sinking Feeling

Aneurysm	401497
Angina Pectoris	7025
Aortitis	40789
Arsenic-poisoning	901656
Atony of Stomach.....	107832
Cholera	90118822
Dilatation of Heart.....	306525
Displacement of Heart.....	808725
Fatty Heart	908925
Fibroid Heart	50125
Flatulence	6078927
Lithaemia	407
Melancholia	10976
Myocarditis, Acute	405992572
Neurasthenia	40739
Pericarditis	402587
Syphilitic Heart	50525
Valvular Disease	502256 (or 91)

Girdle Sensation

Disseminated Sclerosis	90192
Locomotor Ataxy	50592

Myelitis, Transverse	403453
Spinal Meningitis, Syph.....	505279
Traumatic Spondylitis	1092297
Tumors of Cord.....	501 (or 508) 297
Sensation of Local Heat	
Exophthalmic Goitre	30665
Influenza	308
Irritant-poisoning	90148
Locomotor Ataxy	50592
Menopause	10
Neurasthenia	40739
Paralysis Agitans	504252
Rectum, Cancer of.....	50851
Sweating, Sensation of	
Syringomyelia	40297
Throbbing, Sensation of	
Abscess	3042
Anaemia	20976
Aneurysm	401497
Exophthalmic Goitre	30665
Headache, Congestive	70962
Heart, Hypertrophy of.....	40125
Hysteria	70936
Inflammation, Local	40
Migraine	70964
Neurasthenia	40739
Palpitating Aorta	401497789
Sensation of Fullness	
Atony of Stomach.....	1078
Dilatation of Stomach.....	306532
Emphysema of Lung.....	60277 (or 76)
Fatty Degeneration of Heart.....	908925
Gastric Irritation	40732
Gastritis, Chronic	4032
Goitre, Exophthalmic	30665
Hepatic Enlargements	40148
Hypertrophy of Heart	40125
Hysteria	70936
Malaria	302
Menopause	10
Peritonitis, Chronic	401653
Tympanites	607891233
Sensation of Weight	
Angina Pectoris	7025
Asthma	70949
Apoplexy	903
Aura Epileptica	2092
Cirrhosis of Liver, Hypertrophic.....	109148 (or 487)
Dilatation of Heart.....	306525
Displacement of Heart.....	808725
Dyspepsia	608
Endocarditis, Acute	403795

Exophthalmic Goitre	30665
Faecal Accumulation	7029
Flatulence	6078927
Gastric Irritation	4032
Gastritis, Chronic	4032
Lithaemia	407
Neurasthenia	40739
Neuritis, Multiple	70511
Paralysis	5042
Stomach, Atony of.....	107832
Stomach, Dilation of.....	3065321
Syphilitic Liver	50548
Trichinosis	90837

Sensation of Bearing Down

Abortion (threatened)	90764954
Cervicitis	40952
Cervix, Hypertrophied	401952
Distension of Bladder.....	306562
Dysmenorrhoea	70101
Endometritis, Hypertrophic	4097651
Enteroptosis	808722
Faecal Accumulation	7029
Haemorrhoids	2015 (or 2096)
Metritis	407651
Ovarian Cyst	601338 (or 334)
Prolapsus Uteri	8087954
Periproctitis	40566851
Prostatitis	40999
Rectum, Cancer of.....	50851
Rectum, Ulcer of.....	30851
Retroversion	90548
Subinvolution	7065954
Tumors, Pelvic	508525
Uterine Fibroid	501954
Uterine Polypus	30795197
Uterus, Congestion of.....	40149554
Uterus, Inversion of.....	4035954

Sensation of Oppression

Aneurysm, Thoracic	401497769
Angina Pectoris	7025
Aortitis	40789
Asthma, Spasmodic	402392
Dyspepsia	608
Emphysema of Lung.....	60277 (or 76)
Exophthalmic Goitre	30665
Hysteria	70936
Mediastinal Tumor	501 (or 508) 356
Pericardial Effusion	60162587

VERTIGO

Alcoholism	9014004
Aneurysm	401497
Antral Abscess	302254
Aortic Regurgitation	402256
Aortitis	40789
Apoplexy	903
Arterio-sclerosis	9038
Aura epileptica	2092
Bulbar Paralysis	504286544
Catalepsy	90798

Abdomen	1233
Acids, Organic	451
Acetic	45149
Amino	4515
Hydrochloric	8
Lactic	4519
Diacetic	4517
Uric	4512
Ampulla of Vater	114
Anatomy	7266
Ankle 841893	
Right	172
Left	173
Arms	131
Right	269
Left	2691
Forearm	2131
Back	88
Bile	457
Bile Ducts	428
Bile Secretions	4571
Blood	409
Blood Sugar	4095- ³ / ₁₀

Blood Rate (40)9 (or -?)

DIFFERENTIAL BLOOD COUNT

(All Vibratory Rates in Heavy Type)

Haemoglobin	4091'
Normal	Normal Percent
3/10 to 6/10	103.0 to 106.0
Color Index98 to 100.0 - 40.973

(To find Color Index: Multiply total number of Erythrocytes by 2; divide Haemoglobin by first two figures of this product; subtract this answer from 100.)

Erythrocytes	409229	Men	
Erythrocytes	409226	Women	
			Normal
Men	5/10	5,000,000	
Women	4/10	4,500,000	
(Erythrocyte Scale)			
1/10	Approximately	1,000,000 to	2,000,000
2/10	Approximately	2,000,000 to	3,000,000
3/10	Approximately	3,000,000 to	4,000,000
4/10	Approximately	4,000,000 to	5,000,000
5/10	Approximately	5,000,000 to	6,000,000
6/10	Approximately	6,000,000 to	7,000,000
7/10	Approximately	7,000,000 to	8,000,000
8/10	Approximately	8,000,000 to	9,000,000
9/10	Approximately	9,000,000 to	10,000,000
10/10	Approximately	10,000,000 to	11,000,000
			Normal
Normoblasts	None	409107	
Microblasts (Poikilocytes)	None	409109	
Macroblasts	None	409106	
Leukocyte Scale		3071	
Normal: 5,000 to 9,000 or 7,500 average			
1/10	Approximately	4,000	
2/10	Approximately	5,000	
3/10	Approximately	6,000	
4/10	Approximately	7,000	
5/10	Approximately	8,000	
6/10	Approximately	9,000	
7/10	Approximately	10,000	
8/10	Approximately	11,000	
9/10	Approximately	12,000	
10/10	Approximately	13,000	
Polymorphonuclears		3027	
Normal: 6/10 to 7/10; 65% to 70%			
(Polymorphonuclear Scale)			
1/10	Approx.	10% of 7500	750
2/10	Approx.	20% of 7500	1500
3/10	Approx.	30% of 7500	2250
4/10	Approx.	40% of 7500	3000
5/10	Approx.	50% of 7500	3750
6/10	Approx.	60% of 7500	4500
7/10	Approx.	70% of 7500	5250
8/10	Approx.	80% of 7500	6000
9/10	Approx.	90% of 7500	6750
10/10	Approx.	100% of 7500	7500
Lymphocytes, Large and Small		3029	
Normal: 2/10 to 3/10; 24% to 28% of 7500			
(Lymphocyte Scale)			
1/10	Approximately	20%	1500
2/10	Approximately	24%	1800
3/10	Approximately	28%	2100
4/10	Approximately	32%	2400
5/10	Approximately	36%	2700
6/10	Approximately	40%	3000

7/10	Approximately 44%	3300
8/10	Approximately 48%	3600
9/10	Approximately 52%	3900
10/10	Approximately 56%	4200

Large Mononuclears (3026)

Normal: 1/10 to 4/10; 1% to 4% of 7500

(Large Mononuclear Scale)

1/10	Approximately 1%	75
2/10	Approximately 2%	150
3/10	Approximately 3%	225
4/10	Approximately 4%	300
5/10	Approximately 5%	375
6/10	Approximately 6%	450
7/10	Approximately 7%	525
8/10	Approximately 8%	600
9/10	Approximately 9%	675
10/10	Approximately 10%	750

Eosinophils (3049)

Normal: 1/10 to 4/10; 1% to 4% of 7500

(Eosinophils Scale)

1/10	Approximately 1%	75
2/10	Approximately 2%	150
3/10	Approximately 3%	225
4/10	Approximately 4%	300
5/10	Approximately 5%	375
6/10	Approximately 6%	450
7/10	Approximately 7%	525
8/10	Approximately 8%	600
9/10	Approximately 9%	675
10/10	Approximately 10%	750

Myelocytes (3047)

Normal: None

(Myelocyte Scale)

1/10	Approximately 1%	75
2/10	Approximately 2%	150
3/10	Approximately 3%	225
4/10	Approximately 4%	300
5/10	Approximately 5%	375
6/10	Approximately 6%	450
7/10	Approximately 7%	525
8/10	Approximately 8%	600
9/10	Approximately 9%	675
10/10	Approximately 10%	750

Normal

(Cornils)	None	3048
(Ehrlichs)	None	3041

Mast Cells None 3062

BONES

Bones	84
Long	8490
Short	84168
Flat	8432
Irregular	84392

Arm

Elbow	84115
Humerus	84353
Radius	84345
Ulna	84464
Clavicle	84548

Foot

Ankle	84189 ^{1/2}
→ Calcaneum	84134
→ Cuneiform	84595
→ Metatarsus	84573
→ Navicular	84621
→ Talus	84262
→ Toes	84422

Hand

Fingers	84895
Os Capitatum	84384
Os Hamatum	84264
Os Lunatum	84104
Os Multangulum Majus.....	84288
Os Multangulum Minus.....	84434
Os Naviculare	84133
Os Triquetrum	84367
Pisiform	84201
Thumbs	84891

Head

Antrum	84254
Cranium	846837
Ethmoid	84993
Frontal	84596
Hyoid	84448
Malar	84195
Mandible	84872
Mastoid	842843
Nasal	84484
Occipital	841164
Palate	841354
Parietal, R.	8429
Parietal, L.	84291
Sella Turcica	84296
Skull	84107
Sphenoid	84933
Superior Maxillary	84864
Temporal	84862

*Hard Palate**1354**Soft Palate**1358***Leg**

Femur	84114
Fibula	84329
Hip (Os Innominatum) Right.....	84479
Hip (Os Innominatum) Left.....	84439
Ilium	84374
Ischium	84835
Knee	84121
Tibia	84319

Os Pubis	84165
Pelvis	84525
Periosteum	359
Ribs	84542
Scapula	84397
Sternum	84263
Vertebrae	84867
Atlas	842823
Cervicle	84692
Coccyx	84188
Dorsal	84183
Lumbar	84193
Sacral	84854

Bone Marrow 3453

acetabulum (of hip) 7465

Joints	849
Large Joints (119)	100
Large Joints, Ankles (4)	1892
Large Joints, Coccyx (3)	284
Large Joints, Costal Sterni (14)	503
Large Joints, Costal Vertebrae (48)	902
Large Joints, Elbows (2)	10043
Large Joints, Hip (2)	1775
Large Joints, Ilio Sacral (2)	923
Large Joints, Knee (4)	3343
Large Joints, Shoulders (2)	3323
Large Joints, Sterni Clavicle (2)	693
Large Joints, Vertebrae (28)	546
Large Joints, Wrists (2)	10041
Small Joints	101
Small Joints, Finger	950
Small Joints, Mandible	1736
Small Joints, Phalanges	360
Small Joints, Toe	422

Cardiac Sac 2572

Chest 75

Circulation

Arteries 497

(All arteries except those here designated
are 497 plus the rate of the location.)

Aorta	789
Aorta, Abdominal	1233789
Aorta, Thoracic	75789
Coronary, Right	492
Coronary, Left	4921
Pulmonary, Right	534
Pulmonary, Left	5341

Blood Vessels	2324
Veins	494
Hepatic	494898
Portal	49420
Jugular	494727
Pulmonary, Right	494734
Pulmonary, Left	4947341
Vena Cava, Inferior.....	49433
Vena Cava, Superior.....	49437
Lymph Glands	327
Chyli	3353
Cisterna Chyli	3278
Thoracic Duct	327769
Colloidal Tissue	1299
Death	54
Diaphragm	8044
Face	10290
Fascia	104
Fingers	895
Foot	2163
Gas	6789
Chlorine	301
Hydrogen	169
Nitrogen	721
Oxygen	263
Glands	
Axillary Nodes	885599
Cervical	174
Endocrine	259
Hormone	3199
Lacteal	3232
Lymph Nodes (in general)	889
Mammillaries	829
Milk Duct	333
Parotid	2795
Salivary	589
Glands, Endocrine	
Lymph	327
Ovary, Right (External Function).....	336
Ovary, Right (Internal Function).....	338
Ovary, Left (External Function).....	332
Ovary, Left (Internal Function).....	334
Pancreas, Head	9972
Pancreas, Tail	997
Pancreas, Islands of Langerhans.....	99719
Parathyroid, Upper Right.....	59
Parathyroid, Lower Right	69
Parathyroid, Upper Left	79
Parathyroid, Lower Left.....	89
Pineal	98
Pituitary, Anterior Lobe.....	694
Pituitary, Posterior Lobe.....	698
Prostate	999
Spleen	465

Suprarenal, Right	31072
Suprarenal, Left	31078
Testicle, Right (Internal)	788
Testicle, Right (External)	786
Testicle, Left (Internal)	781
Testicle, Left (External)	782
Thyroid, Right	687
Thyroid, Left	6871
Thymus	396
Uterus	954
Glandular	1933
Gums	591
Glass	8010
Hair	1090
Hand, Right	26
Left	261
Head	97
Head, Top of	99
Leg, Right	42
Left	43
Malformation	1937
Malposition	435
Membranes	566
Great Omentum	4334
Mesentery	815
Mucous	976
Serous	766
Synovial	2008
Menstruation	818
Delayed	141
Function	65
Menopause	10
Mental States	
Aberration (Functional)	5033
Anger	3078
Anxiety States	90769
Asleep	10891
Brain Fag (Overworked Brain)	9074
Brain Relaxed	60487
Brain Stimuli	10091
Cheerful	10364
Dementia (Brain)	201
Dementia Praecox	2016
Depressed	10552
Despondent	10852
Discomfort	1091
Ecstatic	80984
Fatigue	3067
Fear	7031
Forgetfulness	80624
Grief	8071
Hate	8093
Hypersensitive	3053

Hysteria	70936
Insanity	6049
Insomnia	80573
Jealousy	20153
Malingering	4096495
Melancholia	610976
Mental Laziness	10296
Procrastinating	1094
Psychasthenia	7039
Self-esteem	9015
Selfishness	9043
Self-pity	7038
Senility	3048
Somnolent	90692
Spitefulness	2082
Stammering	20212
Ulterior Motive	50768
Vacillating	2032
Worry	10853

— Good results with fear, depression and disagreeable mental conditions generally.....70316477

Crude Minerals (834)

Radium	834300
Gold	834803
Lead	8341609
Aluminum	8349799
Antimony	834909
Manganese	83455
Phosphorus	834695
Iodine	834884
Sodium	83445
Copper	83410837
Uranium	8349099
Magnesium	834871
Silver	8343880
Platinum	834109
Cobalt	8346003
Sulphur	834446
Iron	834492
Silicon	83467
Tin	8341184
Carbon	83487
Zinc	8345009
Arsenic	8344999
Potassium	83454
Lime	8341753
Mineral Salts (Digested)	979
Mouth	2222
Muscles, Sphincter	87
Ani	601
Bladder	2297
Mouth	2222
Rectal	228
Urethral	430
Vaginal	95

Muscular Structures

Cartilages	154
Cartilages, Ensiform	2382
Cartilages, Rib	2356
Cartilages, Semilunar	9003
Fascia	104
Ligamentous System	2843
Ligaments	854
Muscular System	37472
Muscle	599
Muscle, Inter-costal	356
Muscle, Involuntary	59980
Muscle, Voluntary	59918
Tendon	645
Myopic	963647
Nails	459
Neck	523
Nerve, Median	1218
Nerve, Radial	1217
Nerve, Ulnar	1219
Blocked or Impinged Nerves	9063
Nerves	1109
Afferent	561
Efferent	741
Motor	865
Sensory	759
Sympathetic	739
Sympathetic, Cervical Plexus	121
Sympathetic, Hypogastric Plexus	135
Sympathetic, Pelvic Plexus	136
Sympathetic, Pulmonary Plexus	139
Sympathetic, Solar Plexus	66
Nerves, Cranial	2208
Olfactory	22081
Optic (See Note A)	22082
Oculomotor	22083
Trochlear	22084
Trigeminus	22085
Abducens	22086
Facial	22087
Acoustic (See Note B)	22088
Glossopharyngeal	22089
Vagus	220810
Spinal Accessory	220811
Hypoglossal	220812
Auditory Nerve	220808
Auditory Center	220808

Note A: 2nd Cranial Nerve supports the

- (1) Stomach.
- (2) Mammillaries

Note B: 8th Cranial Nerve, 22088, supports 987, 5 tissues:

1. Fallopian Tubes and Spermatic Cord.
2. Uterus and Prostate.
3. Hearing.
4. Diaphragm via Solar Plexus.
5. Muscles of Shoulder and Neck.

Additional Functions of the Cranial Nerves

Constricts nerves of spine, throat and eyelids.....	22081
Clears vision	22082
Draws muscles of eyes outward and upward and affects teeth.....	22083
Relaxes eyes and entire brain and constricts stomach	22084
Inhibits salivary secretion, draws eyes inward....	22085
Salivary secretion	22086
Thought	22087
Sleep	22088
Nerves, Gasserian Ganglion.....	10074
Nerves, Phrenic	1001096
Nervous System, Motor.....	1633
Sensory	142183
Sympathetic	1943
Nasal Duct	965184
Omentum	4334
Organs	
Appendix	86
Bladder	62
Brain	1332
Arachnoid	1909
Cerebellum	231
Cerebrum, Right	29
Cerebrum, Left	291
Cortex	9979
Medulla and Cervicals.....	44
Meninges	279
Spinal Cord	297
Breasts (Mammae), Right.....	73
Left	74
Bronchial Tube, Right.....	2392
Left	2391
Colon	27
Caecum	82
Hepatic Flexure	84
Ileo-caecal valve	827
Rectum	851
Sigmoid	85
Splenic Flexure	81
Transverse	83

Cord, Spinal	297
Ears	910
Right	9
Left	91
Auditory Nerve	8080
Ear Wax	46
Eustachian Tube	3226
External	1337
Hearing	6766
Hearing Centers	8080
Middle Ear	13372
Semi-circular Canal	2855
Stapes, Incus, and Malleus.....	122
Tympani	4433
Eye, Right	3
Left	31
Conjunctiva, Right	3776
Conjunctiva, Left	31776
Cornea, Right	33988
Cornea, Left	313988
Eyelid, Right	3979
Eyelid, Left	31979
Iris, Right	32534
Iris, Left	312534
Lacrimal Duct, Right.....	351
Lacrimal Duct, Left.....	3151
Lacrimal Sac, Right.....	3953
Lacrimal Sac, Left	31953
Lacus Lacrimalis, Right.....	302
Lacus Lacrimalis, Left.....	3102
(Triangular Space)	
Lens, Right	3777
Lens, Left	31777
Optic Nerve, Right	3647
Optic Nerve, Left	31647
Palpebral, Right	3109
Palpebral, Left	31109
Palpebral, Commissures, Right.....	3104
Palpebral, Commissures, Left	31104
Punctum Lacrimalis, Right.....	304
Punctum Lacrimalis, Left.....	3104
(Mouth of Lacrimal Duct)	
Retina, Right	3709
Retina, Left	31709
Sight, Right	310
Sight, Left	311
Tarsal Glands, Right.....	307
Tarsal Glands, Left.....	3107
Vision, Right	3986
Vision, Left	31986
(Compare with Function of Opposite Nerve)	
Female Organs	
Bartholin's Gland, Right.....	93
Left.....	931

Cervix	952
Clitoris	79
Corpus Luteum, Right.....	333
Left.....	3331
Fallopian Tubes	569
Fallopian Tubes, Right.....	973
Fallopian Tubes, Left.....	972
Labia Majora	6101
Labia Minora	6103
Ovary, Right (External).....	336
Ovary, Right (Internal).....	338
Ovary, Left (External).....	332
Ovary, Left (Internal).....	334
Ovum	771
Uterus	954
Vagina	95
Vaginal Wall	92
Gall Bladder	38
Heart	25
Aortic Valve	46
Cardiac Sac	2572
Endocardium	3795
Mitral Valve	2567
Pericardium	2587
Pulmonic Valve	41
Systole and Diastole.....	9033
Tricuspid Valve	2597
Ventricle, Right	256
Ventricle, Left	259
Intestines, Small	22
Duodenum	221
Ileum	223
Jejunum	222
Peyer's Patches	224
Kidneys, Right	37
Left	371
(Interstitial Tissue), Right.....	379
(Interstitial Tissue), Left.....	3719
Liver	48
Caudate Lobe	487
Falciform Ligament of Liver.....	15
Lung, Right	76
Left	77
Pleura, Right	7
Pleura, Left	71
Pleural Cavity	243
Male Organs	
Ductus Deferens	72
Epididymis	7405
Leydig Cells, Right.....	783
Left.....	7831
Penis	867
Prostate Gland	999
Scrotum	2098
Spermatic Cord	78

Both
2-3

Left 784

Testicle, Right (External)	786
Testicle, Right (Internal)	788
Testicle, Left (External)	782
Testicle, Left (Internal)	781
Nipple	94
Nose	96
Stomach	32
Cardiac Opening	323
Epiglottis	277
Oesophagus	35
Pyloric Opening	321
Solar Plexus	66
Throat	966
Larynx	17
Pharynx	198
Tonsil, Right	6
Tonsil, Left	61
Trachea	8047
Uvula	258
Vocal Cords	4995
Tongue	1296
Ureter, Right	668
Left	6681
Urethra	439
Parasites	1088
Animal	1088103
Fruit	1088146
Human	1088119
Vegetable	1088126
Parentage	1414
Pars Intermedia Pituitary	695
Perineum	3568
Peritoneum	758
Placenta	9764 (or 949)
Poisons	901
Albumen	9019
Alcohol	9014004
Appetite	901471
Carbohydrate	901543
Chemicals (402 kinds)	901888
Chlorophyl	9011021
Cigarette	90130010
Corrosives	90140517
Crystals	901588
Drugs	90163
Aconite	901558
—Arsenic	901656
Bella Donna	901448
Camphor	90180741
Contharides	9011026
Cocaine	901206

WORMS - - - 80 - - - 9080

Salt Peter 901786

**Kresate -
Carbolic acid**

901.8074

901597

Conium	9015239
Ergotin	90110103
Ferrum	901493
Glycerine	90118
Henna	901145
Iodide	901884
Lactate	901452
Lactose	901138
Lysol	90135164
Magnesium	901871
Merc. Dulcis	9017046
Morphine	9014056
Nucleic Acid	901473
Novocain	9012064
Peroxide	901566
Phosphorus	901695
Potassium Bicarbonate	90183454
Sodium	90145
Sodium Bicarbonate	90183445
Thyroid Extract	901965127
Fat	901989
Fibrin	9011956
Gas	9016789
Irritants	90148
Ivy	901134
Oak	9011188
Organic	9011011
Phosphate	90110029
Poison Crystals	901588
Poison to Humans.....	90163
Protein	901673
Snake	901908
Vitamin	9019009
Water	9011008
Whiskey	9012545

Poison Toxin, Itching Skin.....90172

Pregnancy60239

Male

Female

Embryo (Human Pregnancy)

Prognosis as to Disease.....7076

Prognosis as to Patient.....6043

(Add either of above rates to VR below)

Fair

Good

Poor

(Can have a curable disease, yet not have a curable patient.)

Salt515

Scalp624

389

(389)

Secretions	640
Appendix	960
Bile	4571
Glycogen (Hepatic)	78
Hormone	3199
Hydrochloric Acid	8
Intestinal	97
Mammillaries	559
Medulla	985
Pancreatic	997
Parathyroid	598
Parotid	715
Periomentum	82
Saliva	961
Secretin of the Duodenum and Jejunum.....	4719
Secretin, Gastric	47192
Spermatazoan	19
Splenic	465
Sub-lingual	103
Sub-maxillary	219
Thyroxin	687
Tongue Mucus	796

Sex

Female	18
Male	19

Sex Centers

1. Spinal Cord	872
2. Cerebellum	297
3. Cerebrum	231
	1098

To find percentage of male and female in each individual register the male or female sex rate and check function on the 9th dial. The percentage will register in tenths. In registering male or female it will be necessary to combine sex rate with gonads (internal function).

Shoulders

	753
Sinuses	36
Antrum	254
Brain	9759
Ethmoid	993
Frontal	133
Mastoid	2843

Skin

	101
Sneezing	623

Solar Plexus

	66
Teeth	499

Eye (Upper Canine)	246
Incisors (4 Front)	245
Molars (Large Grinders)	241
Premolars (Bicuspid)	244
Wisdom	226

Sphenoidal Sinus
 RT. 933
 Lt. 9331

Temperature	450
Thigh	
Right	1194
Left	11941
Tissue	2774
Toes	422
Tongue	1296
Trauma	192 1092

last 3 dialys on 10 then down (old figures)

Specific Gravity	6098710
Reaction, Acid	609353
Reaction, Alkaline	609356
Urea	609567

Solids (To find amount of solids, multiply the amount of urine voided—in ounces—in 24 hours by the last two figures of the Specific Gravity; add to this product 1/10 of itself and the result will be in grains).

Treat Uremia
506, 37, 371
+ sweet spirits
of nitre.
(506 = Uric Acid)
(37, 371 = Kidneys)
Urin - 609

Bile Pigment	60942	0
Sugar	60957	0
Albumen	60977	0
Indican	60953	0
Acetone	60969	0
Diacetic Acid	60997	0
Tube Casts	60923	0
Epithelial Cells	609101	0
Pus Corpuscles	60960	0
Red Blood Corpuscles	60949226	409?
Leukocytes (White Blood Corpuscles)	609371	0
Spermatozoa	609784	1
Bacteria	6091280	5
Mucus Threads	609972	3
Uric Acid Crystals	609562	1
Calcium Oxalate	609252	.2
Calcium Phosphate	609254	1
Urates (Amorphous)	60995	1
Vitality, Female	409711	
Vitality, Male	409712	
(Normal is from 1 point to 4 points. Any-thing below is sub-normal.)		
Vitamin	30339	

PART C
SOME GENERAL OBSERVATIONS
AND INSTRUCTIONS

CANCER THEORY

Not enough Life Force to a part of the body causes congestion of electrons which forms a tumor. The red blood flows into the part, which part is impinged or obstructed, and when the venous blood tries to come out it cannot do so. Venous blood has carbonic acid in it, which is corrosive. Venous blood also needs oxygen to turn it over into an alkaline state or to aerate it back into red blood again.

When it is obstructed it tries to reach oxygen and follows the capillaries which connect it with the lymphatics. The acid condition meets the alkaline one in the lymphatics, they become acid and an imbalance takes place in the blood circulation and the lymph. While the general condition of blood serum is alkaline it repels (electronically speaking) the alkaline blood, and deterioration takes place.

Thus Cancer is an imbalanced condition of the red blood, which is alkaline, the venous blood which is acid, and the lymphatics, which are alkaline. The protonic action is acid and positive and the electronic action is negative and alkaline, thus a growth of too many electrons per protonic attraction causes a growth of cell structure. Only the continuous flow of the Life Force, which is protonic in nature, can equalize the cell electronic balance.

THE LAW OF THE CIRCLE

All energy of the universe belongs to what is known as the Law of the Circle. In physics the same thing is stated when it is said "all energy returns to its source, therefore all energy goes out from the body and returns to the body naturally".

This HVR instrument acts as a monitor or direction station. It directs the energy by focusing it on the part which is low or high in function, or needs balancing.

The reason disease is thrown off, the tissues of the body are brought up to a positive polarity and since the body is made up of polarized atoms, it comes under the head of electro-magnetic energy, magnetically speaking. Like poles repel and unlike poles attract, and bac-

teria is the same polarity as the body in health and is thrown off where the body is brought up to its normal polarity. When feeling is sent from any person it unerringly returns.

NOTES AND RATES

If you cut your finger you do not heal it neither does the doctor. The healing comes from within, from that radiant Life Force, which is the only force that has the power to rebuild cells. That is the only energy we use in making a diagnosis, in taking pictures, in treatment, sending the patient's Life Force to the parts which need rebuilding.

Check spleen for trembling of hands and hyperthyroidism.

Uric acid and calcium out of balance in cataracts which come from thyroid and parathyroid; check small intestines for 506 and 20.

Use 901-2-6 for adonitis, for children who have adonoids; also check and treat thymus and thyroid.

Spider bite rate in Atlas is for black widow. Place bottle of household ammonia on foot pads.

For Parkinson's disease treat suprarenals.

Flatulence (gas) at any time regardless of what or when anyone eats, comes from the kidneys.

Contraction of portal veins causes hemorrhoids. Also check head of pancreas.

When H.C.L. is too low, suggest one-half teaspoon of lemon in water before meals to start it flowing.

We never treat areas where X-ray or radium has been used, as the nucleus of the cell has been killed.

We never treat chronic alcoholics or drug addicts. It is not they who wish to be cured, but their families' wish, and the sensitive Life Force will not penetrate drugs, aloes or alcohol.

When there is low uria, check liver.

Unidentified bacteria in urine gives an inner nervousness.

Use aloes in well of instrument if patient has any drug (aspirin, sleeping medicine, glandular extracts, etc.) in system, so as to procure correct reading.

When Islands of Langerhans are low, check for diabetes.

Check for parasites when Eosinophils are high in blood count.

Use 906-3-2-2-0-8-0-10 (Impingement of 10th cranial nerve) for migraine headaches.

When tonsils are bad, check for trouble in stomach and intestines.

Try 906-3-2-7-7 (Impingement of epiglottis) for hiccoughs.

When blood pressure is low, check for embolism.

When indican is high in urine, it generally means heart trouble of long standing.

The meter shows energy expended over the nervous system.

The color of dress makes difference in diagnosis. Red gives a cancer reaction.

When parathyroids are low it means poor circulation of minerals.

Try 506(uric acid) 20 (calcium) or 0-1-6-3 (combination of minerals) for trouble in joints, or in any part which is low.

Thyroid increases oxidation.

Parathyroid builds fat, controls toxins.

Thyroid burns up fat and waste.

Adrenals furnish calcium for parathyroids to regulate.

Parathyroids closely related to pancreas.

For low blood pressure use:

0-6-9-8-4-9-7

0-6-9-8-4-9-4

0-6-9-8-1-3-3-2

An attached blood clot is a thrombus.

703-1-6-4-7-7, the Fear rate. A good rate to use for ten minutes on fearful patients before giving treatment.

When calcium phosphates are thrown off in urine, nerves are bad.

Pain above diaphragm could be 302-3-5-6. Abscess in mediastinum.

An unattached blood clot or foreign body is an embolism (including an air bubble).

Low coronary generally means heart trouble of long standing.

Low pituitary often causes epilepsy, but especially check diseases of pineal.

High polys in blood count, check for abscess in system, in appendix, and low area 68-4 intestinal obstruction.

When hemoglobin is high look for pernicious anemia, check for 50 in spleen and liver.

For obscure disease check 306-5 (dilation, 88-7 (prolapsis). Through low areas do not use those two rates for treatment. Use 0-6-9-8 through areas they were found in, so as to give tone.

High lymphatics when polys are low gives leucopenia. Check liver or chlorosis in young girls.

Treat cortex of suprarenals for nervousness, also hot flashes.

For asthma try 40-7-8-9-8, which is inflammation of aorta; also treat suprarenals.

Anterior pituitary controls sex, long bones and skin.

Posterior pituitary increases pituitrin in system, which feeds nerves through spinal cord and brings tone to muscles.

Do not treat directly into the heart.

Over-function of thyroid contracts duodenum.

0-(8-6-5) (6-5-1) motor nerves through endometrium, for help in child birth.

When lymphatics are high, check spleen, try 502 and 505 through area.

When there is bile pigment in urine check liver.

Our blood pressure is taken on entire body and not on brachial artery.

When ankles swell, check pancreas.

After patient has been given novocain for tooth extraction, treat 409-5-9-1, (blood thru gums).

For nervous stomach use for treatment 0-7-3-9-3-2-1.

When polys are low there is trouble in blood-forming organs.

When epithelial cells are high in urine it is a check back on real pathology.

When kidney trouble is difficult to control treat
0-6-9-8-3-10-7-2-2-4-6-8.

The cause of blood sugar, liver, anterior pituitary and pancreas, these organs are not taking care of blood sugar.

90-1-2-0-1 for food poisoning, add organs where it is likely to be found.

For stye on eye. Check pancreas and treat.

Right kidney gives forth hormone which activates elimination, kidneys included.

Left kidney gives forth hormone which activates assimilation, kidneys included.

When there is trouble in right kidney, people are apt to be heavy, as left kidney would be assimilating and not eliminating.

Always take a full case history. All information is necessary toward a complete diagnosis.

REACTIONARY PAINS

Pain in right and left sides of head, near top, comes from kidneys. Pain in right shoulder, top, comes from liver. Left shoulder, top, ovaries. Upper arms, from kidneys. Upper legs, from uterus, ovary or prostate. Front of head, from stomach, small intestine. Base of head, from rectum, uterus, prostate. Right side base of head, from gall bladder. Above forehead, slightly to left, check pancreas. Shooting pains in chest, check pancreas. Pain in shin bone, comes from uterus or prostate.

Treatment for varicose veins:

0-6-9-8-5-9-9

0-6-9-8-4-9-4

309-5-9-9-4-9-4

VITAMIN RATES

Measure on last dial, when it registers 5 or below, suggest foods rich in those vitamins.

A-33-3-9-(9-9)

B " " " (9-0-0-9)

C " " " (3-4-4-4)

D " " " (2-8-0-1)

E " " " (5)

F " " " (4-0-0-4)

G " " " (6-2-9)

Try 609 (urine) through areas where worms are found.

Check spleen when polys are low and sympathetics are high.

Sugar and acetone in urine goes back to liver. It is indication of hepatic diabetes.

Hyperthyroid often causes suger to be thrown off in urine.

Add 9 to uterus rate (9-5-4- (-9 for testing uterus after menopause.

Trouble in knees comes from ovaries. Treat ovaries.
0-8-3-2-1 for nausea.

Do not treat worms. It makes them grow.

USING BAR MAGNET FOR POLARITY

To test polarity of remedy use bar magnet; all dials at 0; disconnect patient, place remedy in well, and with treatment cord test whether it is positive or negative. To test polarity of patient, patient has feet on foot pads, all dials at 0, test with bar magnet whether positive or negative.

When path ology registers in lymph (3-2-7), test cysterni chyli for trouble (3-2-7-8).

Always clear abscess or strep. out of T.B. areas before treating for T.B.

Use 0-5-9-6-9-7-9-8-9 (parathyroids) for hemmorhage anywhere in body.

Use 50-7-9-10 (auto intoxication rate) for heavy feeling.

Pain extending from front to back of abdomen. Check gall bladder for trouble.

When erythrocytes are low, check for anemia.

RETENTION OF URINE

1 quart of boiling water poured over 4 sliced lemons, 1 teaspoon of cream of tartar, 2 teaspoons of epsom salts, honey to taste, and drink.

COLDS

Flu 308-2-3-9-1-7-7 (L. bronchial and L. lung)
308-2-3-9-2-7-6 (R. bronchial and R. Lung)
308-2-5-4-3-6 (antrum and sinus)
308-2-2-2-7-2-3 (Entire intestine and both kidneys)
308-4-8-4-8-7-3-8 (Liver and gall bladder)

Use 21-7 in areas where trouble is stubborn.

49-3-3-8-3-3-4 (ovaries) for menstrual colic.

Sarcoma can become malignant.

To normalize White Blood Count, as in fevers:
Treat five minutes on each rate to normalize temperature.

30-2-7-0-0-0-0-0-7

30-2-9-0-0-0-0-0-3

30-2-6-0-0-0-0-0-4

30-4-9-0-0-0-0-0-4

30-4-7-0-0-0-0-0-0

30-6-2-0-0-0-0-0-0

Magnesium phosphate (opposite of iron) relaxes.
Iron contracts.

We use "atomic rates" in Atlas to check obscure skin diseases, then treat with mineral rates found to be deficient.

We check for aneurysm when there is palpitation of the aorta.

901 -6-3 drub poison rate, then add the rate for different drugs.

Check for 807-9-9 (blood clot) in paralysis.

In squinting of eyes there must be an impingement of 3rd cranial nerve.

Our blood pressure rates given in the Atlas are findings on entire body. If you wish to take pressure on brachial artery, the rates are 407-5-1-4-2 for systolic and 407-5-1-4-9 for diastolic.

Do not treat hypertrophy of the heart.

409-5 is rate for blood sugar, with reading on last dial, 3/10 as normal.

Do not treat endocarditis. Pericarditis can be treated, also valvular conditions.

Only treat 2 rates (a 3rd when necessary) beside the glands at each treatment. Never treat a rate outside of glands less than 10 minutes.

In treatment old cells are thrown off, the new cells come in at a higher rate of vibration, amplified and speeded up by the instrument. Block tin also acts as a condenser.

SPECIAL FOOT PADS

We use 24 karat gold electrode and sterling silver footpads for cancer and sarcoma. The gold brings the

blood to areas treated, thus dissipating the disease. Never use gold where there is hemorrhage or high blood pressure, with only one exception, hemorrhage of the uterus and breast. Treat endometrium (6-5-1) when there is hemorrhage in uterus, which would be treating the cause.

Right side of nose when overworked is over stimulated, effecting the nerves. Left side of nose affects blood stream and heart.

T.B. is generally foundation of sarcoma, usually acting through lymphatics.

THE DETECTOR OR RUBBING PLATE

In getting our reaction the timing must be right and not too fast, or the electrons "bunch up", giving a continuous reaction. When energy passes through condenser to upper plate, its polarity is changed and it meets flow of electrons being stimulated by finger, with finger stall, and the two short; even as the positive and negative energy in a light bulb come together and short, forming a lite.

We build up electrons of atoms in the cell and health ensues. Disease is the lack of, or too many electrons in the atoms of the cell, our instrument normalizes it.

When there is chronic coughing check heart, check for thrombus in arteries and veins, also in lungs. Check for trouble in luschkas (or coccygeal) gland as it affects the lungs, and asthma, naturally look for disease in bronchial, pharnyx and larnyx.

When there is noise in ear, check for wax 406, cystic fluid⁶⁰¹; also there could be a slight fracture in the semi-circular canal⁹⁰⁷⁻²⁻⁸⁻⁵⁻⁵. Check for aneurysm in arteries and veins of head. 405-2 (aneurysm in 409-4 (veins, in 2-9 or 2-9-1, or 9-9 or 4-4. Also 405-2 (4-9-7) in 2-9 or 2-9-1 or 9-9 or 4-4.

Check for aneurysm when there is heavy throbbing anywhere in body.

When veins or arteries are low in function, check for arterial sclerosis⁹⁰³, contraction²⁰⁷, dilation³⁰⁶⁻⁵, thrombosis⁹⁰⁹⁻⁸, or hydrated cyst³⁰²⁻⁹⁻¹ in veins or arteries.

When throat is NOT sore yet there are painful and swollen glands check for congested lymphatics.

Gums which are blue, check for lead poisoning, also for lead poisoning in other parts of the body.

QUESTIONS AND ANSWERS

Q: When one finds, eg Thyroid, as an originating cause, and 302, 60, and 402 there, how does one decide on which of these rates to begin treatment?

A: Always use the most acute condition, 302, first, then the next, which would be 60, and then the 402.

Q: Mentioned in the book, a case in which trichinae were treated on Homo-Vibra Ray. How was this done?

A: By treating the tissue structure with the instrument and the trichinae with homeopathic medicine.

Q: How does one distinguish 508 sarcoma from 508 obstruction, etc, similarly with 501?

A: 508 is sarcoma but obstruction rate is different unless the 508 is the obstruction, then measure on the last dial the amount in order to designate the amount in area.

Q: If you have a case of caries of the bone, and have got rid of the active trouble, can anything be done to help new bone formation?

A: The treatment of caries rate directs the Life Force which is always pure into the part and holds it focused there and produces rebuilding into the part.

Q: Patient with open scirrhus of breast, no shtick now for 50, but marked on 70194, should one treat on the latter rate, or treat for ulcer only?

A: Always check patient with breast trouble (as well as rheumatism of the knees) on the R. 3-3-3 and L. 3-3-3-1 (corpus luteum), which is the same as milk ducts in the breast, and treat the same trouble there to heal breasts, as well as disease found in breasts.

Q: Have you come to any decision on the question of using an aerial for broadcasting?

A: It is very beneficial, also we are using 24 K. gold for electrodes and sterling silver for footpads, and find it very successful for 50.

Q: In using rate for sex. With the corresponding gland rate, what is the exact procedure to determine sex?

A: Use 8-7-5 with blood 409-8-7-5 for female, 409-8-7-6 for male; with glands it is 7-8-8 or 7-8-1 with male, 3-3-4 or 3-3-8 for female. Checking parentage rate, put rate 10-4-1-4 (7-8-8) right, 10-4-1-4 (7-8-1) left; with blood of child to find father, 3-3-8 or 3-3-6 for mother, use this with race rates for parentage.

MICROBES

Paratyphoids A. 10-1-6-9-1
Paratyphoids B. 10-1-6-9-2
Acne 90-8-3
Strep. haemolyticus 405-6-2
Gaertner 602-4
Whelchii 10-5-6-5-5

OTHER RATES

Blood urea 409-7-5-6-7
Blood calcium 409-7-2-0
Blood cholesterol 409-7-1-6-9
B. Coli toxins 301
Chemical poisons, 901 plus any chemical rate
Vincent's angina 607
Alopecii areata 20-3-9
Round worm 90-8-0-5-1
New mental rate, eg paranoia, 70-1-1-6-9-1

When there is pain in the knees, check function of 3-3-3 (3-3-3-1) which are right and left corpus luteum, also 3-3 and 3-3-1, the right and left oophoron ducts. Also a part of the ovary. Then find disease in the part which is low in function; if right knee will generally find trouble in R. corpus luteum, or R. oophoron.

KIDNEYS

Right kidney eliminates. The right kidney gives forth a hormone which helps to produce elimination of waste products from the body.

The left kidney assimilates. The left kidney produces a hormone which controls assimilation of the food products of the body.

When the cells in the right kidney are not functioning in these cells, then patient will be heavy through abdomen. If the cells in the left kidney are not functioning patient will be thin.

LUSCHKAS GLAND 727

There is a gland in the rectum which lubricates and acts the same in the human body as the oil sack in the tail of a chicken. It has been operated upon many times and called a "deep fissure". It is situated at the end of the sympathetic system.

When it is clogged it produces such things as asthma, heart ailments, throat conditions, basal headaches, con-

stipation, lung conditions, etc. This has been proved back by the release of these conditions through cleaning it out by operation. However, this is only temporary, it soon fills up again since the cause of the original obstruction has not been removed. Rate for the Luschkas gland is 7-2-7.

THE FOURTH STATE OF MATTER, PLASMA

First, energy (Plasma) is brought down into a gas. Gas comes into body and becomes a liquid, goes then through a gelatinous stage, then through a calcification or crystallization stage. After death, from calcification or crystallization to gelatinous stage, then into gas stage (which one smells) and back to etheric stage from which it came.

The red cells, white cells, blood platelets, salts in the blood, etc. (all of these things are taken into consideration in blood transfusion, but it is the energy which activates all this in the plasma that we are speaking of) belong to the body and return to the earth with the body. While the energy which activates this returns to the ether from which it came. "It" being a form of Light made of electrons which are now being used in the electronic force field which acts the same as a lens, either in a microscope or in television, and is now being used for scanning in television in England. We have been using it since 1935 when we made our photographic instrument.

RATES TO MEMORIZE

0-1-6-3	Minerals
0-5	Acidosis
10-4-2-7	Hemorrhage
10-4-8	Hernia
10-9-3-7	Malformed
10-9-1	Cirrhosis
10-9-2	Trauma
10-9-5-4	Menopause
10-1	Adhesions
10-2	Pin worms
20	Calcium
201-7	Pneumococcus
207	Contraction
30	Ulceration
301	Colon bacillus
302	Abscess
304	Staph
306-5	Dilation
307-5-1	Polypoids
308	Flu

309	Carcinoma toxins
40	Inflamation
402	T.B.
403-5	Malposition
406	Ear wax
406-8-7-9-2	Obsession
407	Acidity
50	Carcinoma
501	Fibroma
501-9-9	Amyloid
502	Gonorrhoea
503	Goitre
505	Syphilis (Lues)
506	Uric acid
507	Inherited lues
60	Strep
601	Cystic Fluid
70	Pain
808-7	Prolapsis
901	Poison rate
901-2-0-1	Food poison
901-6-3	Drug poison
903	Arterio sclerosis
4-3-3-4	Greater omentum
5-9-1	Gums
5-9-9	Muscles
9-8-7	R. Psoas
9-8-7-1	S. Psoas
6-2	Bladder
6-6-8	Urethra
2-2-2-7	Intestines as a whole
9-7-3	R. Fallopiian
9-7-2	L. Fallopiian
3-2-2-6	R. Eustachian
3-2-2-6-1	L. Eustachian
3-5-6-8	Perineum
3-5-9	Periosteum
7-5-8	Peritoneum
3-4-5-3	Bone marrow
3-2-7-8	Cysterni chyli
9-5	Vagina
9-5-2	Cervix
3-5-6	Mediostinum
2-3	Both kidneys
7-2-7	Luschkas or coccygeal gland
6-5-1	Endometrium
2-9	R. side of head
2-9-1	L. side of head
9-9	Top of head
4-4	Base of head
72-7	Barium meal

Dengue. 10 - 4
(327-3278-3279)

SHOTS

Typhoid. 80-7-8
Small Pox 40-5-8
Dyptheria and Tetanus. 90-9-8-0
Polio. 20-6-9-2
Universal Disease V.R. 10-7-6-2-2-10-3-5-2
Typhoid (as disease, not shots) 20-5-8

INDEX

	Page
Abdomen	68
Abdomen, Pain in	29-35
Abdominal Aneurysm	23, 25, 28, 29, 32, 34, 36, 40, 41, 44
Abdominal Angina	29, 39, 40
Abdominal Cancer	32
Abdominal Colic	42
Abdominal Haemorrhage	10
Abdominal Hernia	10, 12, 30
Abdominal Tenderness	46-47
Abdominal Tumor	26, 34, 36, 38, 65
Abdominal Wall, Abscess of	46
Abducens	76
Aberration, Functional	10, 74
Abortion	16, 18, 31, 67
Abscess	66
Abdominal Wall, 46; Alveolar, 21, 22; Antral, 19, 68; Brain, 20; Bursting into Ear, 48; Cerebral, 10; Ear, 47; Gastric, 10; Hepatic, 27, 35, 45; Ischio-rectal, 33, 34, 47; Liver, 29, 45; Lumbar, 25, 36, 44; Local, 42; Mammary, 26, 45; Mastoid, 19, 21, 43; Mediastinal, 26, 28, 44; Neck, 22; Parotid, 48; Pelvic, 18, 30, 41, 42; Perinaeal, 25, 33; Perinephric, 27, 28, 44; Peritoneal, 30; Post-pharyngeal, 23, 44, 61; Prostatic, 33, 34, 47; Pulmonary, 41; Pulp, 22; Rectal, 25; Retro-mammary, 26; Sac, 54, 55; Septum, 61; Spinal, 31; Spleen, 46; Sub-phrenic, 27, 28, 29, 32, 43, 44; Tuberculous, 26; Urethral, 47	
Acetic Acid	68
Acetone	83
Acetonemia	10
Acetonuria	10
Achylia Gastrica	32
Acid Reaction, Urinalysis	83
Acidity	10
Acidity, Sub (Stomach)	10
Acidosis	10
Acids	68
Acne Rosacea	60
Aconite Poisoning	23, 80
Acoustic Atrophy	10
Acoustic Nerve	76
Acromegaly	15, 59
Actinomycosis	22, 45
Addison's Disease	15, 20, 29, 46, 47, 54
Adenitis	10
Adenoids	18, 19, 49, 60, 61, 62
Adenoma Internum	16
Adhesions	10
Gastro-cholecystic, 29; Intestinal, 29; Pelvic, 15; Peritoneal 32, 38	
Afferent Nerves	76
African Sleeping Sickness	10
Ague	20, 58, 62
Albumen	83
Albumen Poisoning	80
Albuminuria	10
Alcohol—	
Action of 57; Poisoning, 80; Toxins, 13	
Alcoholism	15, 16, 20, 37, 46, 50, 54, 57, 59, 60, 62, 68
Alkaline Reaction, Urinalysis	83
Aluminum	75
Alveolar Abscess	21, 22
Amaurosis	56, 57, 59-60
Amblyopia	59
Amenorrhoea	15, 20, 30, 51, 59, 60, 62, 64
Amentia	10
Amnesia	10
Amino Acid	68

(4095)

Actinimycosis
see Glanders
(Ray Fungus)

Aids p.10

	Page
Amoeba	10
Amoeba Dysenterica	11, 31
Ampulla of Vater.....	68
Amyloid Disease	10
Amyloid Tissue Infiltration.....	10
Amyotrophic Lat. Sclerosis.....	35
Anaemia.....	15, 17, 18, 20, 21, 27, 28, 37, 47, 51, 54, 56, 62, 64, 66
Arterial, 10; Brain, 50, 56, 57, 58, 59, 63; Pernicious, 33, 49, 62, 65; Splenic, 45	
Anal Fissure	17, 24, 33, 34
Anasarca	51
Anatomy	68
Aneurysm.....	27, 28, 39, 65, 66, 68
Abdominal, 23, 25, 28, 29, 32, 34, 36, 40, 41, 44; Aortic, 10, 56, 57; Ascending Aorta, 40; Carotid, 10, 11; Cerebral, 50; Cirroid, 48, 63; Descending Aorta, 23, 26; Descending Thoracic, 41; Femoral or Popliteal, 36; Heart, 27; Hepatic, 40; Innominate, 21, 23, 35, 40, 56; Orbit, 55; Pericardium, 27; Subclavian, 35; Thoracic, 26, 64, 67	
Aneuria	10
Aneurysmal Prominence	45
Anger	74
Anger Toxins	13
Angina, Abdominal	29, 39, 40
Angina, Oesophageal	40
Angina Pectoris.....	26, 27, 35, 39, 40, 43, 45, 64, 65, 66, 67
Angioma (See Angioma)	
Angioma, Ear	48
Angioma, Nose	62
Angioneurotic Oedema	51
Ani Muscle	75
Ankle (Bone)	71
Ankle Joints	72
Ankles	68
Ankylosis	10
Anorexia Nervosa	15
Anteflexion.....	15, 16, 17
Anthrax	10
Antimony	75
Antral Abscess	19, 68
Antrum—	
Bone, 71; Disease of, 22; Distended, 61; Empyema of, 59, 61; Sinus, 82; Tumor of, 56	
Anxiety States	10, 74
Aorta	72
Abdominal, 72; Ascending, Aneurysm of, 40; Descending, Aneurysm of, 23, 26; Palpitating, 66; Thoracic, 72; Stenosis, 10	
Aortic Aneurysm	10, 56, 57
Aortic Cusp, Rupture of	27
Aortic Disease	35
Aortic Insufficiency	62
Aortic Regurgitation	27, 32, 40, 56, 68
Aortic Valve	79
Aortitis.....	26, 40, 65, 67, 68
Aphasia	10
Aphasia, Hysterical	10
Apoplexy.....	20, 50, 52, 55, 56, 57, 58, 63, 66, 68
Apoplexy, Spinal	23, 24, 27, 38, 44, 63, 64
Appendicitis	29, 31, 38, 39, 40, 42, 44, 46, 63
Appendicitis Larvata.....	29, 42, 46
Appendicular Colic	31, 40
Appendix	77
Appendix Secretions	82
Appetite (Poison)	80
Arachnoid	77
Arcus Senilis	53
Arm, Pain in	35-36
Arms	68
Bones of, 71; Numbness of, 12	

	Page
Arrhythmias, Cardiac	10
Arsenic	75
Arsenic Poisoning..... 20, 27, 29, 41, 46, 51, 59, 61, 63, 65,	80
Arsenicism	62
Arterial Anaemia	10
Arterial Contusion	10
Arteries	72
Arterio-sclerosis	50, 53, 62, 64, 68
Arteritis	63
Artery, Sup. Mesenteric, Embolism of.....	32
Arthritis—	
Crico-arytenoid, 23; Conorrhoeal, 37, 39, 42, 43; Pneu-	
mococcal, 39; Post-febrile, 39; Rheumatoid, 36, 39, 42, 44,	
49, 55, 58	
Arthritism	63
Articular Fever	10
Ascending Paralysis, Acute.....	52
Ascites	64
Asleep	74
Asthma..... 20, 45, 54, 55, 60, 61, 66, 67	67
Astigmatism	58
Ataxic Paraplegia	24
Atlas	72
Atonic Dyspepsia	35
Atony of Stomach..... 20, 26, 28, 29, 35, 40, 65, 66, 67	67
Atrophic Emphysema	10
Atrophy	10
Acute, Yellow, 17, 28, 29, 45, 46, 56, 63; Acoustic, 10;	
Brain, 49, 59; Muscular, Progressive, 35, 36, 38; Optic, 58;	
Uterus, 15	
Auditory Center	76
Auditory Neuritis	49
Auditory Nerve	76, 78
Aura Epileptica..... 20, 50, 58, 63, 64, 66, 68	68
Aural Polypi	49, 50
Auricles, Absent	47
Auricles, Fistulous	47
Autophonia	50
Axillary Nodes	73
Back	68
Back, Pain in..... 23, 26	26
Bacteria	83
Banti's Disease	10
Bartholin's Gland	78
Bartholinitis	17, 33
Basedow's Disease	10
Base, Fracture of..... 50, 51, 57, 61, 62	62
Base of Skull, Fracture of.....	48
Bearing Down, Sensation of.....	67
Bechterew's Disease	10
Belladonna, Action of.....	57
Belladonna Poison	80
Bell's Paralysis	10
Benign Tumors	10
Bile	68, 82
Ducts, 68; Pigment, 83; Secretions, 68, 82	
Biliary Congestion	37
Bilious Fever	10
Biliousness	10
Black Specks	58
Bladder	77
Calculus, 30; Cancer of, 30, 33, 34; Distended, 30, 40, 67;	
Hernia of, 10, 12; Muscle, 75; Neuralgia of, 30; Tubercle	
of, 30, 33, 34; Ulcer of, 30, 34, 47; Villous Growth in, 34	
Bleeding—	
Gums, 10, 11; Meatus, 48; Nose, 62	
Blepharitis, Marginal	54
Blocked Nerves	10, 76
Blood	68
Clot, 10; Count, 3, 68; Pressure, 7; Sugar, 10, 68; Vessels, 73	

treat
Luschka's
Gland 727

	Page
Bloody Flux	10
Blow on Ear	47
Blow on Head	50
Boil	60
Boil, Meatus	49
Bone—	
Cancer of, 38; Diseased, 19; Marrow, 72; Tuberculous, 37, 38	70-72
Bones	70-72
Botulism	10
Bowels—	
Cancer of, 31; Foreign Body in, 31; Perforation of, 30, 33	35
Brachial Neuralgia	35
Brachial Neuritis	35
Brain	77
Abscess, 20; Anaemia, 50, 56, 57, 58, 59, 63; Atrophy of, 49, 59; Compression of 20, 57; Concussion of, 52, 56, 57; Dementia, 74; Embolism, 60; Fag, 74; Hyperaemia of, 20, 58, 59, 62, 64; Hypertrophy of, 20; Relaxed, 74; Sinus, 82; Softening of, 21, 60; Stimuli, 74; Toxins, 13; Tumor, 21, 50, 56, 58, 59, 60, 64	77
Breast	77
Cancer of, 26; Neuralgia of, 26; Tenderness in, 45	10
Brill's Disease	10
Broadcast	7
Bronchial Calculus	26
Bronchial Glands, Enlarged	26, 44, 62
Bronchial Irritation	10
Bronchial Tubes	77
Bronchitis	26, 28, 45, 61, 62
Broncho-pneumonia	11, 13
Bruises	11
Bulbar Paralysis	52, 68
Burn, Radium	13
Burns	11
Bursitis	11
Caecal Hernia	11, 12
Caecum	78
Cancer of, 46; Loaded, 31; Mobile, 31, 46; Tubercle of, 47;	38, 39
Caisson Disease	71
Calcaneum	83
Calcium Oxalate	83
Calcium Phosphate	31
Calculus	31
Bladder, 30; Bronchial, 26; Pancreatic, 29, 32, 40, 41; Prostate, 33; Renal, 25, 31, 32, 34, 36, 37, 40, 41, 42, 43, 44, 46; Ureteral, 31, 32, 34, 40, 46; Urethral, 34, 40; Vesical, 25, 33, 34, 36, 40, 41, 43, 47	80
Camphor Poisoning	78
Canal, Semi-circular	15, 61
Cancer (See Carcinoma)	15, 61
Abdominal, 32; Bladder, 30, 33, 34; Bone, 38; Bowels, 31; Breast, 26; Caecum, 46; Colon, 27, 28, 30; Duodenum, 27, 41; Encephaloid, 55; Kidneys, 25; Labyrinth, 49; Liver, 23, 27, 29, 35, 45; Lung, 28; Medullary, 11; Melanotic, 11; Oesophagus, 40, 41; Omental, 30; Pancreas, 27, 29, 40; Pleura, 27; Prostate, 33, 34; Pylorus, 27, 29; Rectum, 24, 31, 33, 34, 36, 38, 41, 66, 67; Renal 44; Scirrhus, 11; Spine, 23, 25, 44; Spleen, 46; Stomach, 25, 26, 27, 28, 29, 41, 46, 65; Testicles, 24, 34; Throat, 23; Tongue, 19, 22; Toxins, 11, 13; Upper Jaw, 22; Uterus, 16, 17, 18, 24, 30, 31, 34, 38, 40, 46	13
Candy Toxins	11
Canker Sore	23, 80
Cantharides Poisoning	80
Carbohydrate Poisoning	13
Carbohydrate Toxins	75
Carbon	43
Carcinoma (See Cancer)	43
Ear 48; Eye, 55; Nose, 62; Toxins, 13	

	Page
Cardiac Opening, Stomach.....	80
Cardiac Sac	72, 79
Caries	
Cervical, 22, 35, 57; Dental, 35; Dorsal Spine, 26; Ethmoid,	
61; Lower Jaw, 22; Lumbar, 34; Lumbo-sacral, 36; Nasal,	
62; Ribs, 27; Sicca, 44; Spine, 25, 26, 27, 29, 30, 32, 37,	
41, 42, 43, 44; Sternum, 26, 43, 45; Teeth, 19; Temporal	
Bone, 22, 48, 52; Upper Jaw, 22; Vertebrae, 23	
Carotid Aneurysm	10, 11
Cartilage	76
Displaced, 39, 42; Ensiform, 76; Loose, 39; Rib, 76; Semi-	
lunar, 76	
Caruncle	17
Caruncle, Urethra	11, 14
Catalepsy	20, 50, 52, 56, 68
Cataract	56, 58
Cataract, Incipient	58
Catarrh	11
Cervical, 15, 17, 24; Chronic Nasal, 62; Duodenal, 20, 35,	
37, 58; Gastric, 28; Middle Ear, 50; Naso-pharyngeal, 23	
Catarrhal Ulcers	53
Cauda Equina, Tumor of.....	25, 38
Caudate Lobe, Liver.....	79
Cellulitis, Pelvic.....	16, 36, 42, 46
Cerebellar Ataxy, Hereditary.....	20
Cerebellar Disease	23, 60
Cerebellar Tumor	26, 41
Cerebellum	77, 82
Haemorrhage into, 57; Lesion of, 49	
Cerebral Abscess	10
Cerebral Aneurysm	50
Cerebral Embolism	20
Cerebral Haemorrhage	57, 59, 60
Cerebral Hyperaemia	57
Cerebral Paralysis	12
Cerebral Thrombosis	21, 50, 51, 57, 59
Cerebral Tumor.....	19, 40, 43, 59
Cerebro-spinal Meningitis	19, 21, 23, 37, 44, 49, 52, 57, 59, 60
Cerebrum	77, 82
Cervical Caries	22, 35, 57
Cervical Catarrh	15, 17, 24
Cervical Glands	73
Cervical Pachymeningitis	36
Cervical Plexus	76
Cervical Rib	35, 41, 63, 64
Cervical Vertebrae	72
Cervicals	77
Cervicitis	67
Cervico-brachial Neuralgia	35
Cervico-dorsal Neuralgia	11
Cervico-occipital Neuralgia.....	19, 23, 43, 50
Cervix	79
Eroded, 17, 31, 46; Fibroid, 18; Granular, 17; Hypertrophied,	
17, 67; Long Conical, 15	
Chalazion	52
Chancre	11
Chancroid	11
Cheerful	74
Chemicals, Poisoning from.....	80
Chest	72
Pain in, 26-29; Tenderness in, 45	
Chickenpox	11
Chickenpox Toxins	13
Chilblain	64
Chloasma	11
Chlorine Gas	73
Chlorophyl Poisoning	80
Chloroma	22, 55, 60, 62
Chlorosis.....	15, 16, 20, 47, 51, 54, 62, 64
Choking	11

	Page
Cholecystitis.....	27, 28, 29, 42, 43
Cholelithiasis.....	11
Cholera, Asiatic.....	29, 32, 37, 50, 58, 65
Chondroma.....	36
Chondroma, Ear.....	48
Chorea.....	25, 39, 52
Chyli.....	73
Chyluria.....	25, 30
Cigarette Poisoning.....	80
Circulation.....	72
Arteries, 72; Blood Vessels, 73; Defective, 63; Lymph Glands, 73; Veins, 73	
Cirrhosis, Kidney.....	19, 20, 58, 60, 62, 65
Cirrhosis, Liver.....	16, 82, 45, 62, 66
Cirrhosis, Stomach.....	26, 29, 46
Cirsoid Aneurysm.....	48, 63
Cisterna Chyli.....	73
Clavicle.....	71
Clitoris.....	79
Clot, Ureter.....	40
Cobalt.....	75
Cocaine.....	55
Action of 53, 57; Cocaine Poisoning, 80	
Coccygeal Pain.....	24
Coccyx.....	72
Injuries to, 24; Joints, 72	
Cold (See Coryza).....	47
Colic.....	31, 32, 40
Abdominal, 42; Appendicular, 31, 40; Gallstones, 40; He- patic, 35, 41, 44, 51; Lead, 33, 40; Renal, 23, 34, 43; Tubal 17, 30, 40	
Colitis.....	15, 28, 31, 32, 35, 40
Colitis, Membranous.....	34
Collapse.....	11
Colloidal Tissue.....	73
Colon.....	77
Cancer of, 27, 28, 30; Growth on, 36; Transverse, Disten- sion of, 29; Tumor of, 34	
Color Blindness.....	58
Color Index, Blood Count.....	68
Coma.....	54
Alcoholic, 56; Diabetic, 56	
Commissures, Palpebral.....	78
Compression, Brain.....	20, 57
Compression, Cord.....	23, 38, 39, 41, 44
Concretions.....	24, 32, 40
Intestinal, 32; Tonsils, 23	
Concussion, Brain.....	52, 56, 57
Condylomata.....	33, 34
Congenital Defect, Eye.....	58
Congenital Defeat, Meatus.....	49
Congestion—	
Biliary, 37; Hepatic, 35; Liver, 20; Uterus, 15, 16, 47, 67	
Congestive Headache.....	66
Conium Poisoning.....	23, 81
Conjunctiva.....	54-56, 78
Foreign Body in, 54; Pallid, 54; Protruding, 55; Watery, 54	
Conjunctivitis.....	21, 55, 58
Conjunctivitis, Parinaud's.....	54
Constipation.....	19, 20
Constricted Liver.....	28
Contraction—	
Fascia, 11; Pupils of Eye, 57; Scars, 53	
Contracture.....	11
Contusions.....	11
Copper.....	75
Cord—	
Compression of, 23, 38, 39, 41, 44; Hyperaemia of, 23, 63. Lesion of, 57; Spermatic, 79; Spinal, 77, 78, 82; Tumors of, 24, 26, 30, 66	

	Page
Corn	37
Corn, Inflamed	31
Cornea	53-54, 78
Congenital Syphilis of, 53; Hazy, 53; Hepatic Ulcer of, 53;	
Phlyctenular Ulcer of, 53; Rodent Ulcer of, 53; Trachomatous Ulcer of, 54; Tuberculosis of, 53; Tuberculous Ulcer of, 54; Ulcer of, 53-54, 59	
Corneal Reflex Abolished	54
Coronary Arteries	72
Corpora Quadrigemina, Lesion of	49
Corpus Luteum	79
Corrosive Poisoning	23, 80
Cortex	77
Coryza (See Cold)	20, 21, 37, 49, 54, 60, 61
Costal Periostitis	45
Costal Sterni Joints	72
Costal Vertebrae	72
Cough	11
Cramp	11
Cranial Nerves	5, 76
Cranial Nerves, Function of	76, 77
Cranial Tumor	42
Cranium	71
Crico-arytenoid Arthritis	23
Crus, Tumor of	52
Crystals, Poisoning from	80
Cuneiform	71
Curvature, Lateral	25
Cyanotic Liver	28, 29, 45
Cyst	34
Dermatoid, 11; Dermoid, Ear, 48; Eyelid, 51; Mesenteric, 33;	
Middle Turbinate, 61; Multiple, 26; Orbit, 55; Ovarian, 15, 32, 33, 36, 40, 65, 67; Sebaceous, 30; Sebaceous, of Ear, 48; Sebaceous, Suppurating, 49; Testicular, 31	
Cystitis	17, 25, 30, 33, 34, 47
Cystocele	33
Dacryocystitis	51, 52, 54
Dandruff	11
Deafness	49
Death	73
Death of Foetus	18
Delirium Tremens	50
Dementia	47, 74
Dementia, Acute Primary	56
Dementia Praecox	74
Dental Caries	35
Dental Exostosis	22
Dental Pulpitis	22, 40
Depressed	74
Dermatitis	64
Dermatoid Cyst	11
Dermoid Cyst, Ear	48
Despondent	74
Destroyed Toxins	13
Deviate Septum	55
Diabetes Insipidus	15, 18, 19, 20, 40
Diabetes Mellitus	15, 18, 19, 20, 38, 53, 54, 64
Diabetes, Phosphatic	25
Diabetic Coma	56
Diacetic Acid	68, 83
Diaphragm	73
Diaphragmatic Hernia	32, 43
Diaphragmatic Neuralgia	28, 45
Diaphragmatic Pleurisy	20, 33, 35, 43, 45, 46
Diarrhoea	31, 32
Diarrhoea, Acid	10, 11
Diarrhoea, Amoeba Dysenterica	11, 31
Digestive Trouble	51
Dilatation	11
Heart, 65, 66; Stomach, 20, 29, 65, 66, 67	

	Page
Dilated Ethmoid Cells.....	55
Dilated Right Ventricle.....	29, 46, 65
Dilation, Pupils of Eye.....	56-57
Diphtheria.....	18, 23, 48, 49, 61, 62
Meatus, 48; Nasal, 61; Toxins, 13	
Diphtherial Ulcer, Eye.....	53
Diphtheritic Discharge, Eye.....	55
Diphtheritic Paralysis.....	52, 56, 57, 59
Diplopia, Monocular.....	58
Diplopia, Strabismus.....	11, 57-58
Discharge.....	17-18
Diphtheritic, Eye, 55; Gonorrhoeal, Eye, 55; Offensive, 18;	
Purulent, 61; Purulent, Conjunctiva, 55; Sanguino-purulent,	
17-18; Simple, Eye, 55; Tuberculous, Eye, 55; Vaginal, 17-	
18; White, 17	
Discomfort.....	74
Diseases and Their Causes.....	15-68
Diseases, General.....	10-14
Dislocation.....	11
Dislocation, Lens.....	56, 58
Displacement—	
Cartilage, 39, 42; Heart, 65, 66; Ovaries, 16; Punctum, 54;	
Uterus, 36	
Disseminated Sclerosis.....	20, 40, 58, 63, 64, 65
Disseminated Sclerosis, Spine.....	23
Distemper.....	11
Distension—	
Antrum, 61; Bladder, 30, 40, 67; Frontal Sinus, 51, 55;	
Transverse Colon, 29; Transverse Nasal Vein, 60	
Divarication, Recti.....	30
Diverticula, Oesophagus.....	11
Diverticulitis.....	31
Diverticulitis, Meckel's.....	31
Dorsal Vertebrae.....	72
Dropsy.....	11
Drug Poisoning.....	80
Drug Rashes.....	64
Ducts—	
Milk, 73; Nasal, 77; Thoracic, 73; Bile, 68; Lacrimal, 78	
Ductus Deferens.....	79
Duodenal Catarrh.....	20, 35, 37, 58
Duodenum.....	79
Cancer of, 27, 41; Secretin, 82; Ulcer of, 28, 30, 35, 41,	
42, 44, 65	
Dura Mater, Haematoma of.....	19, 20, 57
Dysentery.....	31, 34, 40, 62
Dysmenorrhoea—	
15-16, 19, 20, 24, 25, 30, 31, 36, 40, 43, 46, 47, 67	
Dysmenorrhoea, Membranous.....	18
Dyspareunia.....	17
Dyspepsia.....	28, 32, 60, 66, 67
Dyspepsia, Atonic.....	35
Dyspepsia, Flatulent.....	65
Dyspnoea.....	20, 47, 55, 56
Ear.....	47-49, 78
Abscess of, 47; Abscess bursting into, 48; Ache, 21; An-	
geioma of, 48; Blows on, 47; Carcinoma of, 48; Chondroma	
of, 48; Dermoid Cyst of, 48; Epithelioma of, 48; External,	
78; Frost bite of, 47, 48; Gangrenous, 48; Growths on, 48;	
Gummata of, 48; Injuries to, 22; Irritation in, 60; Livid, 47;	
Malformation of, 47; Middle, 78; Polypus of, 22, 48; Ray-	
naud's Disease of, 48; Rodent Ulcer of, 48; Ruptured or	
Perforated Membrane, 49; Sarcoma of, 48; Sebaceous Cyst	
of, 48; Swollen, 47-48; Trauma of, 48; Wax, 11, 78	
Ears, Waxy.....	47
Echymosed Eyelids.....	51
Ecstatic.....	74
Ectopic Gestation.....	15, 16, 18, 26, 32, 39
Eczema.....	53, 64
Crusts, 51; Meatus, 22, 48	

	Page
Efferent Nerves	76
Elbow	71
Elbow Joints	72
Emboli	63, 64
Embolism—	
Brain, 60; Cerebral, 20; Pulmonary, 29; Renal, 25; Sup. Mesenteric Artery, 32	
Embryoma	35
Emphysema, Atrophic	10
Emphysema, Lung	28, 62, 66, 67
Empyema—	
Antrum, 59, 61; Frontal, 22; Frontal Sinus, 61; Gall-bladder, 28, 45; Necessitatis, 45	
Encephalitis	20, 59, 64
Encephalocele	55
Encephaloid Cancer	55
Endocarditis	27, 66
Endocarditis, Infective	51
Endocardium	79
Endocrine Glands	8-9, 73
Endometritis	15, 16, 24
Chronic, 17, 18, 30; Gonorrhoeal, 30; Haemorrhagic, 17, 30; Hypertrophic, 67; Purulent, 17; Senile, 17, 18; Septic, 17, 18, 30	
Enlargement—	
Hepatic, 66; Spleen, 28; Thymus, 56, 63; Turbinated Bone, 21, 61	
Ensiform Cartilages	76
Enteric Fever	15, 18, 37, 45, 49, 50, 62
Enteritis	32
Enteroptosis	25, 29, 31, 32, 67
Enteropasm	32
Eosinophils	70
Epididymis	79
Epididymis, Nodules in	35
Epididymitis	35
Epigastric Hernia, Small	29
Epigastrium, Pain in	29-30
Epigastrium, Tenderness in	46
Epiglottis	80
Epilepsy	19, 20, 27, 47, 52, 55, 56, 58, 59, 60, 65
Epithelial Cells	83
Epithelioma	52
Ear, 48; Meatus, 48; Vagina, 33	
Ergotin Poisoning	81
Erichsen's Sign	47
Erosion, Meatus	48
Erosions, Cervical	17, 31, 46
Erysipelas	20, 43, 48, 51, 60, 62
Erythrocytes	69
Erythromelalgia	38, 40, 43
Ethmoid—	
Bone, 71; Caries of, 61; Cells, Dilated, 55; Sinus, 82	
Eustachian Obstruction	49, 50
Eustachian Tube	78
Exophthalmic Goitre. 15, 16, 20, 51, 52, 53, 54, 55, 62, 65, 66	
Exophthalmos, Pulsating	50
Exostosis	38, 61
Dental, Upper Jaw, 22; Dental, Lower Jaw, 22; Meatus, 48; Orbit, 55	
External Spinal Pachymeningitis	23, 25, 41, 42
Eye	51-60, 78
Carcinoma of, 55; Congenital Defect, 58; Diphtherial Ulcer of, 53; Flashes Before, 58; Gonorrhoeal Discharge, 55; Gonorrhoeal Ulcer of, 53; Injuries to, 51; Irritants to, 54; Open Continuously, 53; Pupils of, 56-57; Sclerotic, 54, Sclerotic, Pearly, 54; Sclerotic, Yellow, 54; Simple Dis- charge of, 55; Strain, 18, 19, 21, 51; Tuberculous Discharge of, 55	

	Page
Eyeballs	21
Fixed, 55; Pain in, 21; Thrombosis of, 55	
Eyelids	51-53, 78
Cyst of, 51; Darkened, 51-52; Drooping, 52; Echymosed, 51; Edges Crusted, 53; Glanders of, 51; Swollen, 51-52; Tumor of, 52	
Eye Teeth	82
Face	73
Facial Hemiatrophy	52
Facial Nerve	76
Facial Paralysis	12, 49, 52, 53, 55
Faecal Accumulation	25, 27, 28, 32, 42, 46, 64, 67
Faecal Impaction	34, 36, 46
Falciform Ligament, Liver	79
Fallopian Tubes	79
Fascia	73, 76
Fascia, Contraction of	11
Fat Poisoning	87
Fat, Subconjunctival	54
Fat Toxins	13
Fatigue	25, 51
Fatigue, Mental, 11, 74; Retina, 59; Toxins, 13	
Fatty Degeneration of Liver	45
Fatty Heart	53, 65, 66
Fear	11, 74
Felon	11
Female Organs	78-79
Female Sex	82
Femoral Aneurysm	36
Femoral Hernia	12
Femoral Periostitis	36
Femur	71
Femur, Sarcoma of	36
Ferrum Poisoning	81
Fever	18, 38
Enteric, 15, 18, 37, 45, 46, 49, 50, 62; Hay, 20, 49, 51, 54, 60, 61; Articular, 10; Bilious, 10; Glandular, 20, 22, 32, 42; Rheumatic, 33, 37; Scarlet, 13; Typhus, 10, 21, 49, 50, 51, 54, 57, 59, 61	
Fibrin Poisoning	81
Fibroids (See Fibroma)	15, 16
Cervix, 18; Heart, 27, 65; Uterine, 15, 24, 30, 32, 40, 41, 67; Vaginal, 17	
Fibroma (See Fibroids)	11
Fibroma, Nose	62
Fibrositis	35, 36, 39, 42
Fibrositis, Intestinal	37
Fibula	71
Fifth Nerve, Neuralgia of	21
Fingers	73
Bones of, 71; Joints of, 72	
Fissure, Anus	17, 24, 33, 34
Fistel Symptom	50
Fistula	24, 33, 34
Labyrinthine, 50; Recto-vaginal, 18	
Fistula, Recto-vaginal	18
Fistulous Auricles	47
Flatulence	25, 26, 27, 41, 65, 67
Flea Bite	11
Flexions of Uterus	24
Flexure, Hepatic	77
Flexure, Splenic	77
Floating Kidneys	25, 28, 38, 40
Floating Rib	31
Fluid (Anywhere)	11
Foetus, Death of	18
Food Poisoning	31
Food Toxins	13
Foot	73
Bones of, 71; Pain in, 37	

	Page
Forgetfulness	74
Foreign Body	32, 50
Bowels, 31; Conjunctiva, 54; Lungs, 26; Meatus, 22, 48;	
Nose, 22, 61, 62; Rectum, 34; Throat, 23	
Formication	63
Fracture	39, 42
Base, 50, 51, 57, 61, 62; Base of Skull, 48; Jaw, Lower, 22;	
Orbital Plate, 55; Rib, 27, 42, 43; Spine, 27; Tibia, 31	
Frontal Bone	71
Frontal Empyema	22
Frontal Headache	18-19
Frontal Sinus	82
Frontal Sinus Distension	51, 55
Frontal Sinus Empyema	61
Frontal Sinus Obstruction	18
Frost Bite, Ear	47, 48
Fullness, Sensation of	66
Functional Heart Disorder	27
Furuncle, Meatus	22, 48
Gall-bladder	79
Gall-bladder, Empyema of	28, 45
Gallstone Colic	40
Gallstones	13, 28, 29, 30, 31, 32, 45, 46
Gangrene	11
Gangrenous Ear	48
Gangrenous Tip of Nose	60
Garet's Sign	59
Gas	73
Gas, Emission of	18
Gas Poisoning	81
Gasserion Ganglion	77
Gastralgia	27, 29, 32, 42, 65
Gastric Abscess	10
Gastric Catarrh	28
Gastric Influenza	32
Gastric Irritation	26, 29, 66, 67
Gastric Secretin	82
Gastric Ulcer	26, 30
Gastritis	19, 26, 27, 29, 41, 44, 46, 59, 65, 66, 67
Gastro-cholecyctic Adhesions	29
Gastro-intestinal Adhesions	29
Gastroptosis	28
General Diseases	10-14
General Paralysis	20, 38, 47, 56, 57, 67
Gestation, Ectopic	15, 16, 18, 26, 32, 39
Gestation, Tubular	47
Girdle Sensation	65
Gland, Bartholin's	78
Gland, Lachrymal, Enlarged	55
Glanders	23, 38, 39, 61
Glanders, Lid	51
Glands	73
Bronchial Enlarged, 26, 44, 62; Endocrine, 8-9, 73; In-	
flamed, 32; Lymph, 9, 73; Mastoid Inflamed, 22; Sacral,	
Enlarged, 36	
Glandular	74
Glandular Fever	20, 22, 32, 42
Glass	74
Glaucoma	19, 20, 21, 51, 53, 55, 56
Glossopharyngeal Nerve	76
Glycerine Poisoning	81
Glycogen	82
Goitre, Exophthalmic—	
15, 16, 20, 51, 52, 53, 54, 55, 62, 65, 66, 67	
Gold	75
Conorrhoea	17, 61
Conorrhoeal Arthritis	37, 39, 42, 43
Conorrhoeal Discharge, Eye	55
Conorrhoeal Endometritis	30
Conorrhoeal Ulcer, Eye	53

Luschka's
Gland 727
(treat for Asthma)

	Page
Gout	15, 18, 19, 20, 27, 36, 37, 39, 41, 42, 47, 50, 60, 64
Gout, Stomach	29
Graefe's Symptom	53
Granular Cervix	17
Granular Os	16
Granulation, Meatus	48
Granulations, Urethra	34
Granuloma Coccidioides	11
Gravel	25, 34
Grief	74
Groin, Pain in	31
Growing Pains	18
Growth, Colon	36
Growth Fever	39
Growths—	
Bladder, 34; Ear, 48; Intra-nasal, 55; Mediastinal, 41, 65;	
Ovarian, 16; Pharynx, 61	
Gumma	35, 43
Gumma, Orbit	55
Gummata	52
Ear, 48; Nose, 61	
Gums	74
Bleeding, 10, 11; Receding, 11, 13; Septic, 39	
Haematocele	16, 35
Haematocele, Pelvic	30
Haematoma	47
Dura Mater, 19, 20, 57; Septum, 61	
Haemoglobin	68
Haemophilia	16, 38, 51, 62
Haemorrhage	20, 58, 59
Abdominal, 10; Arrest, 11; Cerebellum, 57; Cerebral, 57,	
59, 60; Intra-cranial, 49; Meningeal Spinal, 23, 24, 39,	
41, 64; Pons, 57; Retrobulbar, 56	
Haemorrhoids—	
External, 17, 24, 31, 33, 34, 64, 67; Inflamed, 47; Internal,	
17, 24, 31, 33, 34, 64, 67	
Hair	74
Hand	74
Bones of, 71; Pain in, 36; Trauma of, 36; Tubercle of, 36	
Hate	74
Hate Toxins	13
Hay Fever	20, 49, 51, 54, 60, 61
Head	74
Blow on, 50; Bones of, 71; Top of, 74	
Headache—	
Congestive, 66; Frontal, 18-19; Migraine, 19, 21, 43, 50,	
57, 59, 60, 66; Occipital, 19; Unilateral, 19-20; Unclassi-	
fied, 20-21	
Hearing	49-50, 78
Hearing Centers	78
Heart	79
Aneurysm of, 27; Burn, 27, 65; Dilatation of, 65, 66; Disease,	
16, 43, 44; Disorder, Functional, 27; Displacement of, 65,	
66; Fatty, 53, 65, 66; Fibroid, 27, 65; Hypertrophy of, 20,	
50, 55, 58, 62, 64, 66; Malformation of, 47, 65; Strain,	
27, 45; Syphilitic, 27, 40, 65	
Heat, Sensation of, Local	66
Heel Jar	37
Heel, Pain in	37
Hemiatrophy, Facial	52
Hemiplegia	54
Henna Poisoning	81
Henoch's Purpura	31, 32, 40
Hepatic Abscess	27, 35, 45
Hepatic Aneurysm	40
Hepatic Colic	35, 41, 44, 51
Hepatic Congestion	35
Hepatic Enlargement	66
Hepatic Flexure	77
Hepatic Secretions	82

Treat
(6)49420
(Portal Vein)

	Page
Hepatic Vein	73
Hepatitis, Acute	28, 35, 45
Hepatoptosis	29
Hereditary Cerebellar Ataxy	20
Hernia	31, 32, 35, 40
Abdominal, 10, 12, 30; Bladder, 10, 12; Caecal, 11, 12; Diaphragmatic, 32, 43; Femoral, 12; Inguinal, 12, 31; Ob- turator Ventral, 31, 36, 42; Small Epigastric, 29; Stran- gulated, 12, 32; Umbilical, 31; Ventral, 12, 25	
Herpes	43
Auris, 22, 48, 50; Frontalis, 54; Zoster, 27, 28, 32, 45	
Herpetic Ulcer, Eye	53
Hiccough	12
Hip—	
Bones of, 71; Disease, 24, 36, 39, 41; Joints, 72	
Host to Syphilis	12
Hormone Glands	73
Hormone Secretions	82
Hot Flashes	12-
Howship-Romberg Sign	36
Humerus	71
Hydatids	25
Inflamed, 28, 45; Kidney, 40; Orbit, 55	
Hydrocele	35
Hydrocele, Encysted	35
Hydrocephalus	20, 43, 49, 55, 56, 59, 60
Hydrochloric Acid	68, 82
Hydrogen	73
Hydronephrosis	25, 32
Hymeneal Orifice, Inflamed	17
Hyoid	71
Hyperaemia	71
Brain, 20, 58, 59, 62, 64; Cerebral, 57; Cord, 23, 63; Spine, 23, 63, 64	
Hyperchlorhydria	29, 42
Hypermetropia	57
Hypersensitive	74
Hypertrophic Endometritis	67
Hypertrophy	12
Brain, 20; Cervix, 17, 67; Heart, 20, 50, 55, 58, 62, 64, 66; Uterus, 15, 16, 30	
Hypochondrium, Pain in	27-28
Hypochondrium, Tenderness in	45-46
Hypochondriasis	46, 58, 64
Hypogastric Plexus	76
Hypogastrium, Pain in	30
Hypogastrium, Tenderness in	47
Hypoglossal Nerve	76
Hysteria	15, 19, 20, 24, 26, 27, 32, 36, 38, 41, 44, 45, 46, 49, 50, 52, 54, 56, 58, 59, 60, 63, 64, 65, 66, 67, 75
Hysterical Oedema	63
Ichthyosis	12
Ileo-caecal Valve	77
Ileum	79
Ileus	32
Iliac Pain	31
Iliac Tenderness	46-47
Ilio-sacral Joints	72
Ilium	71
Impacted Faeces	34, 36, 46
Impinged Nerves	5, 12, 76
Incisors	82
Incus	78
Indican	83
Indigestion	50, 65
Induration, Lobular	26
Infantile Paralysis	25, 37, 39
Infantile Scurvy	18, 36, 51, 55, 62
Infarct, Renal	44
Infarct, Spleen	28, 46

	Page
Inflammation—	
Glands, 32; Haemorrhoids, 47; Hydatids, 28, 45; Hymeneal	
Orifice, 17; Local, 66; Mastoid, 22; Mucous Membrane, 93;	
Pancreas, 33, 46; Serous Membrane, 39; Synovial Membrane,	
39; Toph., 48; Visceral, 37; Visceral Parenchyma, 39	
Influenza	19, 20, 25, 26, 38, 45, 46, 54, 61, 62, 66
Gastric Form, 32; Intestinal, 32, 37; Toxins, 13	
Inguinal Hernia	12, 31
Injuries	39, 51
Coccygeal, 24; Ear, 22; Eye, 51; Nose, 60; Testicle, 35	
Innominate Aneurysm	21, 23, 35, 40, 56
Innominate, Sarcoma of	36
Insanity	58, 75
Insomnia	12, 75
Intercostal Muscle	76
Intercostal Neuralgia	27, 28, 29, 45
Intercostal Rheumatism	27, 43, 45
Interscapular Pain	26
Intestines—	
Concretion of, 32; Fibrositis of, 37; Influenza, 32, 37; Irri-	
tation of, 53; Neuralgia of, 32; Obstruction of, 32; Rheu-	
matism of, 32; Secretions of, 82; Ulcer of, 33	
Intra-cerebellar Pressure	12, 13
Intra-cerebral Pressure	12, 13
Intra-cranial Haemorrhage	49
Intra-cranial Tumor	42
Intra-ocular Pressure	12, 13
Intra-nasal Growth	55
Intussusception	32, 40
Inversion, Uterus	16, 24, 30, 67
Involuntary Muscle	76
Iodide Poisoning	81
Iodine	75
Iodism	51, 54, 60, 61
Iris	78
Iritis	19, 20, 21, 57, 59
Iron	75
Irritant Poisoning	23, 29, 32, 46, 66, 81
Irritants, Eye	54
Irritation—	
Bronchial, 10; Ear, 60; Gastric, 26, 29, 66, 67; Intestinal, 53	
Ischio-rectal Abscess	33, 34, 37
Ischium	71
Itching	12, 63
Jaundice	21, 45, 54, 62, 64
Jaw—	
Lower, Caries of, 22; Lower, Fracture of, 22; Lower, Pain	
in, 22; Upper, Cancer of, 22; Upper, Caries of, 22; Upper,	
Pain in, 22	
Jealousy	75
Jejunum	79
Jejunum, Secretin	82
Joints	72
Pain in, 39; Tuberculous, 39, 42, 43	
Jugular Vein	73
Kali-azar, Infantile	12
Keratitis	21, 53, 59
Kidneys	79
Cancer of, 25; Cirrhosis of, 19, 20, 58, 60, 62, 65; Floating,	
25, 28, 38, 40; Hydatids of, 40; Interstitial Tissue, 79;	
Large White, 12; Movable, 28, 37; Small White, 12; Tuber-	
culous, 15, 25, 32	
Klumpke's Paralysis	57
Knee, Bones of	71
Knee Joints	72
Kocher's Symptom	53
Labia Majora	79
Labia Minora	79
Labial Oedema	17
Laceration Perinaeal	17

	Page
Labyrinth—	
Cancer of, 49; Disease of, 50; Fistula of, 50; Syphilis of, 50; Tumor of, 49	
Lachrymal Ducts (See Lacrimal Ducts)	
Lachrymal Gland, Enlarged.....	55
Lachrymal Sac (See Lacrimal Sac)	
Lacrimal Ducts	78
Lacrimal Sac	78
Lacteal Duct, Obstruction of.....	26
Lacteal Glands	73
Lactate Poisoning	81
Lactic Acid	68
Lactose Poisoning	81
Lacus Lacrimalis	78
Landouzy Dejerine Paralysis.....	53, 54
Large Mononuclears	70
Laryngitis	23
Larynx	80
Larynx., Ulcer of.....	22
Lateral Sinus, Thrombosis of.....	44, 49
Laziness, Mental	75
Lead	75
Colic, 33, 40; Poisoning, 15, 16, 18, 21, 32, 37, 38, 39, 49, 50	
Leg	74
Bones of, 71; Pain in, 37; Numbness of, 12	
Lens	78
Lens, Dislocation of	56, 58
Leprosy	53, 63
Lesion—	
Cerebellum, 49; Cord, 57; Corpora Quadrigemina, 49; Medulla, 49; Pons, 49; Tongue, Basal, 19; Toxins of, 13	
Leukaemia	15, 16, 33, 37, 47, 49, 50, 62
Leukaemia, Lymphatic	55
Leukaemia, Spleno-medullary	46
Leukocytes	69, 83
Leukorrhoea	17, 21, 51, 64
Leydig Cells	79
Lie (Falsehood)	12
Ligamentous System	76
Ligaments	76
Limbs, Pain in.....	35-38
Lime	75
Lipoma	12
Lithaemia	18, 19, 21, 25, 37, 41, 50, 65, 67
Liver	79
Abscess of, 29, 45; Affections, 41, 43; Cancer of, 23, 27, 29, 35, 45; Caudate Lobe of, 79; Cirrhosis of, 16, 28, 45, 62, 66; Congestion of, 20; Constricted, 28; Cyanotic, 28, 29, 45; Disease, 44; Disorders, 58; Fatty Degeneration of, 45; Falciform Ligament of, 79; Pain Over, 27-28; Tenderness, 46; Sarcoma of, 45; Syphilis of, 28, 45, 67	
Livid Ear	47
Lobular Induration	26
Local Abscess	42
Localization	6
Localized Swellings	52
Locomotor Ataxy	18, 19, 25, 26, 29, 32, 33, 36, 37, 38, 39, 40, 41, 43, 49, 52, 55, 57, 58, 59, 60, 63, 64, 65, 66
Loose Cartilage	39
Lues. Congenital, Toxins of.....	13
Lumbago	25, 42
Lumbar Abscess	25, 36, 44
Lumbar Caries	34
Lumbar Pain	25-26
Lumbar Tenderness	44
Lumbar Vertebrae	72
Lumbo-adorinal Neuralgia	25, 33
Lumbo-sacral Caries	36
Lungs	79
Cancer of, 28; Emphysema of, 28, 62, 66, 67; Foreign Body in, 26	

	Page
Lupus	55, 60, 62
Lupus Erythematosus	43
Lymphadenoma	15, 23, 33, 55, 64
Lymph Glands.....	9, 73
Lymph Nodes	73
Lymphatic Leukaemia	55
Lymphocytes	69
Lysol Poisoning	81
Macroblasts	69
Macropia	59
Magnesium	75
Magnesium Poisoning	81
Malar	71
Malaria	16, 18, 28, 45, 46, 50, 66
Malaria Toxins	13
Male Organs	79
Male Sex	82
Malformation	47, 74
Ears, 47; Heart, 47, 65	
Malignancy	12
Malignant Disease of Nose.....	61
Malingering	75
Maleus	78
Malposition	74
Mama, Pain in.....	26
Mammary Abscess	26, 45
Mammary Glands, Neuralgia of.....	26
Mammillaries	73
Mammillary Secretions	82
Mandible	71
Mandible Joints	72
Manganese	75
Mania	33, 47, 50, 57
Mast Cells	70
Mastitis, Chronic	26, 45
Mastoid—	
Abscess, 19, 21, 43; Bone, 71; Disease, 50; Sinus, 82	
Mastoiditis	22, 48
Maxillary, Inferior, Neuralgia of.....	22
Maxillary, Superior	71
Maxillary, Superior, Neuralgia of.....	22
Measles.....	21, 49, 54, 59, 60, 61, 62
German, 21, 51; German, Toxins of, 13; Malignant, 51;	
Toxins of, 13	
Meatus—	
Bleeding, 48; Boil in, 49; Congenital Defect of, 49; Diph-	
theria of, 48; Eczema of, 22, 48; Epithelioma of, 48; Ero-	
sion of, 48; Exostosis of, 48; Foreign Body in, 22, 48;	
Furuncle in, 22, 48; Granulations in, 48; Swelling in, 48;	
Trauma of, 49; Tuberculosis of, 49; Wax in, 19, 49, 50	
Meckel's Diverticulitis	31
Median Nerve	76
Mediastinal Abscess	26, 28, 44
Mediastinal Disease	45
Mediastinal Growth	41, 65
Mediastinal Tumor	26, 29, 35, 44, 67
Mediastinitis	51
Medulla	77
Lesion of, 49; Secretions, 82;	
Medullary Cancer	11
Melancholia	15, 47, 54, 56, 65, 75
Melanotic Cancer	11
Membranes	74
Mucous, Inflammation of, 39; Perforated or Ruptured, Ear,	
49; Serous, Inflammation of, 39; Synovial, Inflammation of,	
39	
Membranous Colitis	34
Membranous Dysmenorrhoea	18
Meniere's Disease	49, 50
Menigeal. Spinal. Haemorrhage.....	23, 24, 39, 41, 64

	Page
Meninges	77
Meningitis.....	18, 21, 33, 36, 37, 38, 40, 41, 42, 43, 44, 49, 50, 53, 54, 56, 57, 59, 60, 64
Cerebro-spinal, 19, 21, 23, 37, 44, 49, 52, 57, 59, 60; In-	
ternal Spinal, 24, 25, 41; Spinal, Syphilitic, 66; Tuberculous,	
24, 25, 38, 52, 56, 57	55
Meningocele	12
Meningococcus	16, 21, 62, 64, 65, 66, 74
Menopause	16-17, 52
Menorrhagia	60
Menses, Suppression of	15-17, 26, 45, 52, 74
Menstruation	Delayed, 12, 74; Function of, 74
Mental Fatigue	11, 74
Mental Laziness	75
Mental Overstrain	21
Mental Rates	74-75
Mercurialism	15, 40, 59
Mercurius Dulcis Poisoning	81
Mesenteric Cysts	33
Mesenteric Thrombosis	33
Mesentery	74
Metatarsus	71
Metritis	15, 16, 17, 18, 24, 30, 36, 47, 67
Metrorrhagia	16-17
Microblasts (Poikilocytes)	69
Micropia	59
Middle Ear	78
Catarrh, 50; Suppuration, 49	
Migraine.....	19, 21, 43, 50, 57, 59, 60, 66
Milk Duct	73
Minerals	75
Mineral Salts	75
Miscarriage	16, 18, 25
Mitral Stenosis	57, 62
Mitral Valve	79
Molars	82
Mollities Ossium	24, 28, 30, 38
Mononuclears, Large	70
Morphine Poisoning	81
Morphinism	15, 21, 57
Motor Nerves	76
Motor Nervous System	77
Mouth	75
Mouth Muscle	75
Movable Kidney	28, 37
Mucous Membranes	74
Mucous Membranes, Inflammation of	39
Mucous Threads	83
Multiple Neuritis	67
Multiple Sclerosis, Dorsal region of Meninges	12
Multiple Sclerosis, Lumbo-sacral region	12
Mumps	22, 49, 50
Mumps, Toxins of	13
Muscle	76
Intercostal, 76; Involuntary, 76; Pain in, 37-38; Rupture	
of, 38, 42; Sphincter, 75; Sprained, 23; Voluntary, 76	
Muscular Atrophy, Progressive	35, 36, 38
Muscular Rheumatism	16, 18, 19, 21, 23, 24, 26, 29, 33, 35, 36, 37, 38, 39, 41, 42, 43, 44
Muscular Structures	76
Muscular System	76
Myalgia	28, 33, 38
Myasthenia Gravis	52, 58
Myelitis	24, 38, 39, 44, 56, 63, 64
Myelitis, Transverse	66
Myelocytes	70
Myelocytes (Cornil's)	70
Myelocytes (Ehrlich's)	70
Myeloid Sarcoma	38, 39
Myocarditis, Acute	27, 45, 65

	Page
Myopia	55, 56
Myopic	76
Myositis	38, 42
Nails	76
Nasal Bones	71
Nasal Caries	62
Nasal Catarrh, Chronic	62
Nasal Diphtheria	61
Nasal Duct	77
Nasal Vein, Transverse, Distension of	60
Naso-pharyngeal Catarrh	23
Naso-pharyngeal Disease	19
Nausea	56
Navicular	71
Neck	76
Abscess of, 22; Pain in, 22; Nape of, Pain in, 23; Tumor of, 56, 57, 63	
Necrosis	62
Necrosis, Temporal Bone	48
Nephralgia	25
Nephritis	15, 16, 18, 19, 21, 25 44, 49, 50, 54, 55, 58, 62, 64
Nephritis, Suppurating	25, 44
Nerve—	
Optic, Tumor of, 56; Third, Paralysis of, 52, 55, 56; Trunk, Pressure on, 63, 64	
Nerves	76
Afferent, 76; Blocked, 10, 76; Cervical, 5; Coccygeal, 5; Cranial, 5, 76; Dorsal, 5; Efferent, 76; Gasserion Ganglion, 77; Impinged, 12, 76; Lumbo-sacral, 5; Median, 76; Motor, 76; Optic, 78; Phrenic, 77; Radial, 76; Rheumatism of, 15; Sacral, 5; Sensory, 76; Sympathetic, 76; Sympathetic, Stimulation of, 53; Ulnar, 76	
Nervous System	77
Neucleic Acid Poisoning	81
Neuralgia	15, 21, 24, 34, 35, 39, 40, 41, 63
Bladder, 30; Brachial, 35; Breast, 36; Cervico-brachial, 35; Cervico-dorsal, 11; Cervico-occipital, 19, 23, 43, 50; Diaphragm, 28, 45; Fifth Nerve, 21; Intercostal, 27, 28, 29, 45; Intestinal, 52; Lumbo-abdominal, 25, 33; Mammary Glands, 26; Maxillary, Inferior, 22; Maxillary, Superior, 22; Rectal, 34; Trigeminal, 19, 21, 22, 44, 52, 54, 59, 61; Twelfth Dorsal Nerve, 31, 46; Uterus, 30;	
Neurasthenia	19, 20, 21, 23, 24, 25, 31, 33, 36, 37, 38, 43, 44, 50, 52, 56, 58, 59, 63, 65, 66, 67
Neurasthenia, Traumatic	35, 44, 64
Neuritis	35, 36, 39, 42, 43, 63, 64
Auditory, 49; Brachial, 35; Multiple, 67; Optic, 58; Pudic, 17	
Neurofibromata	29
Neuroma	35, 36, 63
Nictitation	52
Night-blindness	58
Nipple	80
Nipple, Cracked	26
Nitrogen	73
Nodes—	
Axillary, 73; Lymph, 73; Syphilitic, 19	
Nodules, Epididymis	35
Normoblasts	69
Nose	60, 80
Angioma of, 62; Bleeding, 52; Carcinoma of, 62; Fibroma of, 62; Foreign Body in, 22, 61, 62; Gangrenous Tip, 60; Gummata of, 61; Injury to, 60; Malignant Disease of, 61; Pain in, 22; Polypus of, 19, 21, 49, 50, 60, 61; Red, 60; Sarcoma of, 63; Swollen, 60; Syphilis of, 60, 61; Tubercle of, 61, 63; Ulcer of, 62, 63; Varicosities of, 63	
Nostrils	61
Nostrils Obstructed	61

	Page
Novocain Poisoning	81
Numbness	12, 63
Arms, 12; Legs, 12	
Nymphomania	12
Obesity	15
Oblique, Inferior, Paralysis of	58
Oblique, Superior, Paralysis of	58
Obsession—	
Elemental, 12; Entity, 12; Habit, 12	
Obstruction—	
Eustachian Tube, 49, 50; Frontal Sinus, 18; Lacteal Duct, 26; Intestinal, 32; Nostrils, 61; Uterus, 16	
Obturator Hernia	31, 36, 42
Occipital (Bone)	71
Occipital Headache	19
Oculomotor Nerve	76
Oedema	48
Angeioneurotic, 51; Hysterical, 63; Labial, 17	
Oesophageal Angina	40
Oesophagismus	26
Oesophagus	80
Cancer of, 40, 41; Diverticula of, 11	
Olfactory Nerve	76
Omental Cancer	30
Omentum	74, 77
Oophoritis	15, 16, 21, 25, 30, 31, 38, 41, 42, 45, 46
Oophoritis, Adhesive	17
Ophthalmia	53
Ophthalmoplegia	21, 52, 55, 58
Oppression, Sensation of	67
Optic Atrophy	58
Optic Nerve	76, 78
Optic Nerve, Tumor of	56
Optic Neuritis	58
Orbit—	
Aneurysm of, 55; Cyst of, 55; Exostosis of, 55; Gumma of, 55; Hydatids of, 55; Tuberculous, 55; Tumor of, 53, 55, 56; Varix of, 56	
Orbital Disease	52
Orbital Periostitis	55
Orbital Plate, Fracture of	55
Orchitis	24, 35
Organic Acids	68
Organic Poisons	81
Organs	77-80
Female, 78-79; Male, 79-80; Prolapsus of, 13	
Os Caudatum	71
Os Granular	16
Os Hamatum	71
Os Lunatum	71
Os Multangulum, Majus	71
Os Multangulum, Minus	71
Os Naviculare	71
Os Pubis	72
Os Triquetrum	71
Osteitis	38, 43
Osteitis Deformans	24
Osteomalacia	18
Osteoma, Tibia	31
Osteomyelitis	24, 37
Otitis—	
Acute Haemorrhagic, 48; Interna, 49; Media, 19, 22, 41, 43, 44, 49; Suppurative, 48, 50; Tuberculous, 48	
Otorrhoea	48-49
Otomycosis	48
Otosclerosis	50
Ovarian Cyst	15, 32, 33, 36, 40, 65, 67
Ovarian Cyst, Double	15
Ovarian Disease	24, 26, 37, 43, 62

	Page
Ovarian Growths	16
Ovarian Pain	31
Ovaries	9, 73, 79
Displaced, 16; Prolapsed, 17, 31; Small Cystic, 16	
Ovum	79
Oxaluria	21
Oxygen	73
Pachymeningitis	21, 23, 25, 36, 41, 42, 48
Pain	18-43
Acute, 56; Abdomen, 29-35; Abdominal, Unclassified, 32-33;	
Arm, 35-36; Back, 23-26; Character of, 39-43; Chest, 26-	
29; Chest, Unclassified, 28-29; Coccygeal, 24; Dull, 39; Epi-	
gastrium, 29-30; Eyeballs, 21; Foot, 37; General, 18; Groin,	
31; Hand, 36; Heel, 37; Hypochondrium, Left, 28; Hypo-	
chondrium, Right, 27-28; Hypogastrium, 30; Iliac, 31; In-	
creased at Night, 43; Increased by Breathing or Coughing,	
43; Increased by Movement, 42-43; Interscapular, 26; Jaw,	
Lower, 22; Jaw, Upper, 22; Joints, 39; Leg, 37; Limbs, 35-	
38; Lumbar, 25-26; Mamma, 26; Muscles, 37-38; Neck, 22;	
Neck, Nape of, 23; Nose, 22-23; Ovarian, 31; Over Liver,	
27-28; Paroxysmal, 39-40; Pelvis, 30; Penis, 34; Pericar-	
dium, 27; Perinaeum, 33-34; Radiating, 40-41; Rectum, 34;	
Referred, 43; Regional, 18-19; Relieved by Food, 42; Re-	
lieved by Pressure, 42; Sacral, 24-25; Sharp, 39; Shifting,	
41; Shoulder, 35; Side, 27; Spinal, 23; Sternum, 26-27;	
Stomach, Pit of, 29-30; Testicle, 34-35; Thigh, 36; Throat,	
23; Umbilicus, 30	
Palate (Bone)	71
Palpebral Commissures	78
Palpebrals	78
Palpitating Aorta	66
Palpitation	64-65
Pancreas	8, 73
Calculus of, 29, 32, 40, 41; Cancer of, 27, 29, 40; Head	
of, 8, 73; Inflammation, 33, 46; Islands of Langerhans, 8,	
73; Tail of, 8, 73	
Pancreatic Disease	33
Pancreatic Secretions	82
Pancreatitis, Acute	29, 30
Panophthalmia	21
Paracusis Willisii	50
Paralysis—	
Agitans, 36, 38, 52, 66; Ascending, Acute, 52; Bulbar, 52,	
68; Bell's, 10; Cerebral, 12; Diphtheritic, 52, 56, 57, 59;	
External Rectus, 58; Facial, 12, 49, 52, 53, 55; General,	
20, 38, 47, 56, 57, 67; Infantile, 25, 37, 39; Klumpke's,	
57; Landouzy Dejerine, 53, 54; Oblique, Inferior, 58; Ob-	
lique, Superior, 58; Rectus, External, 58; Rectus, Inferior,	
58; Rectus, Internal, 58; Rectus, Superior, 58; Spinal, Syph-	
ilitic, 64; Sympathetic, Eye, 52, 57; Third Nerve, 52, 55, 56;	
Trigeminal, 53, 54	
Parametritis (See Perimetritis)	15, 34, 36, 47
Parasites	12, 80
Animal, 12, 80; Fruit, 12, 80; Human, 12, 80; Kidney, 25;	
Vegetable, 12, 80	
Parasitosis	12
Parasitosis and Ova	12
Parasthesiae	63-67
Parathyroids	9, 73
Parathyroid Secretions	82
Parenchyma, Visceral, Inflammation of	39
Parentage	80
Parietal Bones	71
Parotid—	
Abscess, 48; Glands, 73; Secretions, 82	
Paroxysmal Tachycardia	65
Pars Intermedia, Pituitary	80
Pectorals, Sprained	29

Pellagra—	
Intestinal, 12; Mental (Brain), 12; Skin, 12	
Pelvic Abscess.....	18, 30, 41, 42
Pelvic Adhesions	15
Pelvic Cellulitis	16, 36, 42, 46
Pelvic Haematocele	30
Pelvic Peritonitis	16, 17, 24, 30, 46, 47
Pelvic Phleboliths	30
Pelvic Plexus	76
Pelvic Tumors	36, 67
Pelvis	72
Pelvis, Pain in.....	30
Penis	79
Penis, Pain in.....	34
Perforation	13
Bowel, 30, 33; Membrane, Ear, 49; Stomach, 43	
Periarteritis Nodosa	18, 28, 33, 38
Pericarditis	27, 29, 33, 45, 46, 65
Pericardial Effusion	67
Pericardium	79
Adherent, 65; Aneurysm of, 27; Pain in, 27	
Perichondritis, Acute.....	22, 48
Pericystitis	30, 47
Perihepatitis	28, 29, 43, 45
Perimetritis (See Parametritis).....	15, 34, 36, 47
Perinaeal Abscess	25, 33
Perinaeal Laceration	17
Perinaeal, Testicle	33
Perinaeum	80
Pain in, 33-34; Tender, 47	
Perinephric Abscess.....	27, 28, 44
Perinephritis	25, 42, 43, 44
Periodontitis	22
Periomentum Secretions	82
Periosteum	72
Periostitis	19, 21, 37, 38, 41, 43
Costal, 45; Femoral, 36; Orbit, 55; Spinal, 44; Sternal, 45;	
Syphilitic, 29, 44	
Periproctitis	24, 67
Perisplenitis	46
Peritonaal Abscess	30
Peritonaal Adhesions	32, 38
Peritonaum	80
Peritonitis	28, 32, 42, 43, 46, 62, 66
Peritonitis, Pelvic	16, 17, 24, 30, 46, 47
Pernicious Anaemia	33, 49, 62, 65
Peroxide Poisoning	81
Pertussis	13
Pertussis, Toxins of	13
Peyer's Patches	79
Phalange Joints	72
Pharyngitis	17, 23, 49
Pharyngitis, Tubercular	23
Pharynx	80
Growth in, 61; Ulcerated, 22	
Phosphate Poisoning	81
Phosphorus Poisoning	16, 62, 81
Photophobia	59
Phlebitis	37
Phleboliths, Pelvic	30
Phrenic Nerve	77
Phthisis	15, 29, 38, 39, 45, 52, 54
Phosphorus	75
Phosphorus Poisoning	16, 21, 81
Phlyctenular Ulcer, Eye	53
Pineal	8, 73
Pisiform	71
Pituitary—	
Anterior, 8, 73; Pars Intermedia, 80; Posterior, 8, 73.	

	Page
Pituitrin	57
Placenta	80
Platinum	75
Pleura	79
Pleura, Cancer of	27
Pleural Cavity	79
Pleural Effusion	56
Pleurisy	25, 27, 28, 35, 39, 42, 43, 45, 62
Pleurisy, Diaphragmatic	20, 33, 35, 43, 45, 46
Pleurodynia	42
Plexus—	
Cervical, 76; Hypogastric, 76; Pelvic, 76; Pulmonary, 76;	
Solar, 76	
Pneumococcal Arthritis	39
Pneumonia	21, 27, 28, 30, 33, 35, 42
Broncho, 11, 13; Toxins of, 14	
Pneumoperitonaeum	46
Pneumothorax	27, 29, 33, 39, 43
Poikilocytes	69
Poison	80-81
Ivy, 13, 81; Oak, 13, 81; Sumac, 13; to Humans, 81;	
Toxins, 81	
Poisoning—	
Arsenic, 20, 27, 29, 41, 46, 51, 59, 61, 63, 65, 80, 81; Food,	
31; Irritant, 23, 29, 32, 46, 66; Lead, 15, 16, 18, 21, 32,	
37, 38, 39, 49, 60; Phosphorus, 16, 62, 81	
Poliomyelitis, Anterior, Acute	18
Polycythaemia, Splenomegalic	21, 25, 33
Polymorphnucleárs	69
Polymyositis	23
Polypus	48, 62
Aural, 49, 50; Ear, 22, 48; Nose, 19, 21, 49, 50, 60, 61;	
Rectal, 31; Uterine, 16, 40, 67; Vaginal, 17, 18	
Pons, Haemorrhage into	57
Pons, Lesion of	49
Popliteal Aneurysm	36
Portal Vein	73
Post-febrile Arthritis	39
Post-pharyngeal Abscess	23, 44, 61
Potassium	75
Potassium Bicarbonate Poisoning	81
Praecordial Anxiety	65
Pregnancy	26, 36, 45, 65, 81
Embryo, 81; Female, 81; Male, 81; Tubal, 47	
Premolars	82
Pressure—	
Intra-cerebellar, 12, 13; Intra-cerebral, 12, 13; Intra-ocular,	
12, 13; Nerve Trunk, 63, 64	
Procrastinating	75
Proctitis	47
Prognosis, Disease	81
Prognosis, Patient	81
Progressive Muscular Atrophy	35, 36, 38
Prolapsus—	
Organs, 13; Ovaries, 17, 31; Uteri, 16, 17, 24, 30, 31, 46, 67	
Prostate	9, 73, 79
Abscess of, 33, 34, 47; Adenomatous, 33, 34; Calculus of,	
33; Cancer of, 33, 34; Tuberculous, 33, 34	
Prostatic Disease	37
Prostatitis	25, 33, 67
Proteids, Toxins of	14
Protein Poisoning	81
Psittacosis	37, 62
Psoas Abscess	36, 46
Psora	13
Psoriasis	64
Psychasthenia	75
Pseudangina	27

	Page
Pterygium	13
Ptomainism	33, 57
Ptosis, Congenita	52
Pudic Neuritis	17
Pulmonary Abscess	41
Pulmonary Arteries	72
Pulmonary Embolism	29
Pulmonary Plexus	76
Pulmonary Thrombosis	30
Pulmonary Artery Thrombosis	27
Pulmonary Veins	73
Pulmonic Valve	79
Punctum Displaced	54
Punctum Lacrimalis	78
Pulp, Abscess of	22
Pulpitis, Dental	22, 40
Pupils, Eye, Contracted	57
Pupils, Eye, Dilated	56-57
Purpura	16
Henoch's. 31, 32, 40; Haemorrhagica, 51, 63	
Pus—	
Teeth. 13; Corpuscles, 83; Malignant, 13	
Pyæmia	39
Pyelitis	25, 30
Pyloric Opening, Stomach	80
Pyloric Stenosis	32
Pyloric Ulcer	40
Pylorus, Cancer of	27, 29
Pyodermatitis Vegetans	64
Pyometra	16
Pyonephrosis	25
Pyorrhœa	13
Pyrexia	21
Quinsy	23
Rabies	13
Radial Nerve	76
Radium	75
Radium Burn	13
Radius	71
Ranula	13
Rashes, Drug	64
Raynaud's Disease	58, 60
Ear, 48; Skin, 36; Toes, 37	
Receding Gums	11, 13
Recklinghausen's Disease	39, 44, 63
Rectal Muscle	75
Rectal Muscle, Strain of	30
Recti, Divarication of	30
Recto-vaginal Fistula	18
Rectum	77
Abscess of, 25; Cancer of, 24, 31, 33, 34, 36, 38, 41, 66, 67;	
Foreign Body in, 34; Neuralgia of, 34; Pain in, 34; Polypus	
of, 31; Ulcer of, 33, 34, 67	
Rectus—	
Inferior, Paralysis of, 58; Internal, Paralysis of, 58; External,	
Paralysis of, 58; Superior, Paralysis of, 58	
Red Blood Corpuscles	83
Remedies, Preparation of	6
Renal Calculus	25, 31, 32, 34, 36, 37, 40, 41, 42, 43, 44, 46
Renal Cancer	44
Renal Colic	28, 34, 43
Renal Embolism	25
Renal Infarct	44
Renal Insufficiency	15
Renal Thrombosis	26
Retina	78
Retina, Fatigue of	59
Retinitis	57, 59

	Page
Retrobulbar Haemorrhage	56
Retroflexion, Uterus.....	16, 26, 31, 46
Retromammary Abscess	26
Retroversion	16, 24, 30, 67
Rheumatic Fever	33, 37
Rheumatism—	
Acute, 42; Chronic, 39; Intercostal, 27, 43, 45; Intestinal,	
32; Muscular, 16, 18, 19, 21, 23, 24, 26, 29, 33, 35, 36, 37,	
38, 39, 41, 42, 43, 44; Nerves, 15; Temporomaxillary, 22	
Rheumatoid Arthritis	36, 39, 42, 44, 49, 55, 58
Rhinitis, Tuberculous	62
Rhinorrhoea	61-63
Rhinorrhoea, Watery or Mucous	61
Rib	72
Cartilage, 76; Caries of, 27; Cervical, 35, 41, 63, 64; Float-	
ing, 31; Fractured, 27, 42, 43	
Rider's Sprain	31
Ringworm	13
Rodent Ulcer, Cornea.	53
Rodent Ulcer, Ear.	48
Rupture—	
Aortic Cusp, 27; Membrane Ear, 49; Muscle, 38, 42; Tym-	
panum, 49	
Sac, Abscess of.	54, 55
Sacral Glands Enlarged	36
Sacral Pain	24-25
Sacral Vertebrae	72
Sacro-coccygeal Tuberculosis	24
Sacro-iliac Disease.....	24, 46, 47
Salivary Calculus	22
Salivary Glands	73
Salivary Secretions	82
Salpingitis	16, 17, 24, 30, 31, 34, 42, 47
Saphenous Varix	31
Sarcoma	62
Ear, 48; Femur, 36; Innominate, 36; Liver, 45; Nose, 63;	
Scrotum, 35; Uterus, 16, 17, 24	
Scabies	64
Scalp	81
Scalp Tenderness	43
Scapula	72
Scarlatina	15, 23, 62, 63
Scarlet Fever	13
Scar Tissue	13
Scars, Contraction of	53
Sciatica	36, 37, 42, 63, 64
Scirrhus Cancer	11
Sclerodermia	44, 55
Sclerosis—	
Amyotrophic Lateral, 35; Arterio, 50, 53, 62, 64, 68; Dis-	
seminated, 20, 40, 58, 63, 64, 65; Disseminated, Spine, 23;	
Multiple, 12	
Scotoma	58
Scrotum	79
Scrotum, Sarcoma of	35
Scurvy	16, 18, 37, 39, 51, 56, 58, 63
Scurvy, Infantile	18, 36, 51, 55, 62
Scybala	24, 32, 40
Sebaceous Cyst	30
Sebaceous Cyst, Ear	48
Sebaceous Cyst, Suppurating	49
Seborrhoea	44, 64
Secretions	82
Self-esteem	75
Seltishness	75
Self-pity	75
Sella Turcica	71

	Page
Semi-circular Canal	78
Semilunar Cartilage	76
Seminal Vesiculitis	33, 34
Senility	53, 75
Sensation	63-67
Sensory Nerves	76
Sensory Nervous System.....	77
Sepsis, Gums	39
Septicaemia	37
Septic Endometritis.....	17, 18, 30
Septum—	
Abscess of, 61; Deviate, 55; Haematoma of, 61; Spur, 21, 60, 61	
Serofibrinous Tumor	14
Serums, Toxins of.....	14
Sex	82
Sex Centers	82
Shock	49
Shoulder Joints	72
Shoulder, Pain in.....	35
Shoulders	82
Shreds and Membranes.....	18
Side, Pain in.....	27
Sight	78
Sigmoid	77
Sigmoid, Loaded	31
Sigmoiditis	31, 47
Silicon	75
Silver	75
Sinking Feeling	65
Sinuses	82
Cavernous, Thrombosis of, 51, 56; Frontal, Distension of, 51, 55; Frontal, Empyema of, 61; Obstruction of, 18; Lateral, Thrombosis of, 44, 49; Long., Thrombosis of, 51; Sup. Long., Thrombosis of, 19, 56	
Sinusitis	61
Sinusitis, Sphenoidal	21, 22, 56
Skin	82
Skin, Raynaud's Disease of.....	36
Skull	71
Small-pox, Toxins of.....	14
Snake Poisoning	81
Sneezing.....	13, 60, 82
Sodium	75
Sodium Poisoning	81
Sodium Bicarbonate Poisoning.....	81
Softening—	
Brain, 21, 60; Chronic, 38; Spine, 63	
Solar Plexus	76, 80, 82
Somnolent	75
Sparks Before Eyes.....	58
Specific Gravity, Urinalysis.....	83
Spermatic Cord	79
Spermatozoa	83
Spermatozoan Secretions	82
Sphenoid	71
Sphenoidal Disease	19
Sphenoidal Sinusitis	21, 22, 56
Sphincter Muscles	75
Spider Bite	13
Spinal Abscess	31
Spinal Accessory Nerve.....	76
Spinal Apoplexy.....	23, 24, 27, 38, 44, 63, 64
Spinal Column, Sprain of.....	42
Spinal Cord.....	77, 78, 82
Spinal Meningeal Haemorrhage.....	23, 24, 39, 41, 64
Spinal Meningitis	18, 21, 33, 36, 37, 38, 40, 41, 42, 44, 64
Spinal Meningitis, Internal.....	24, 25, 41
Spinal Meningitis, Syphilitic.....	66
Spinal Pachymeningitis, External.....	23, 25, 41, 42

	Page
Spinal Pain	23-24
Spinal Paralysis, Syphilitic.....	64
Spinal Periostitis	44
Spinal Tumor	33, 36, 41, 42, 44, 63, 64
Spine—	
Cancer of, 23, 25, 44; Caries of, 25, 26, 27, 29, 30, 32, 37, 41, 42, 43, 44; Fracture of, 27; Hyperaemia of, 23, 63, 64; Softening of, Chronic, 63; Tenderness in, 44; Thrombosis of, 63; Typhoid of, 26, 44	
Spitefulness	75
Spleen	9, 73
Abscess of, 46; Affections of, 41; Anaemia of, 45; Cancer of, 46; Enlarged, 28; Infarct, 28, 46	
Splenic Flexure	77
Splenic Secretions	82
Spleno-medullary Leukaemia	46
Spondylitis, Traumatic	24, 42, 44, 66
Spondylose Rhizomelique	44
Sprain	28, 37, 42
Muscles, 23; Pectorals, 29; Spinal Column, 42; Spinal Cord, 24	
Spur, Septum	21, 60, 61
Stammering	75
Stapes	78
Staphylococcus	13
Stellwag's Sign	53
Stenosis—	
Aorta, 10; Canal, 16; Mitral, 57, 62; Pyloric, 32	
Sternal Periostitis	45
Sterni Clavicle Joints.....	72
Sternum	72
Caries of, 26, 43, 45; Pain in, 26-28	
Stimulation, Sympathetic Nerves.....	53
Stomach	80
Atony of, 20, 26, 28, 29, 35, 40, 65, 66, 67; Cancer of, 25, 26, 27, 28, 29, 41, 46, 65; Cirrhosis of, 26, 29, 46; Dilata- tion of, 20, 29, 65, 66, 67; Coat of, 29; Perforation of 43; Pit of, Pain in, 29-30; Ulcer of, 15, 24, 28, 30, 41, 43, 44, 46, 65	
Stone, Gall-bladder.....	13, 28, 29, 30, 31, 32, 45, 46
Stone, Ureter	34
Strain	23, 28
Eye, 18, 19, 21, 51; Eye, Unilateral, 19; Heart, 27, 45; Recti Muscle, 30	
Strangulated Hernia	12, 32
Streptococcus	13
Streptococcus Toxins	14
Stricture	34
Stye	51, 52, 53
Subclavian Aneurysm	35
Subconjunctival Fat	54
Subinvolution.....	16, 25, 30, 67
Sub-lingual Secretion	82
Sub-maxillary Secretion	82
Subphrenic Abscess.....	27, 28, 29, 32, 43, 44
Sugar	83
Sugar, White, Toxins of	14
Sulphur	75
Sunstroke	21, 56, 57
Superinvolution	15
Suppuration, Middle Ear.....	49
Suppression, Menses	60
Suprarenal Capsule, Tumor of.....	35
Suprarenals	8, 74
Sweating, Sensation of.....	66
Swelling	13
Ear, 47-48; Lid, 51-52; Meatus, 48; Nose, 60; Localized, 52	
Sycosis, Tarsi	53
Sympathetic Nerve Stimulation.....	53
Sympathetic Nerves	76

	Page
Sympathetic, Paralysis of, Eye.....	52, 57
Syncope	57
Synovial Membranes	74
Synovitis	35, 39, 42
Synovitis, Tubercular	40
Syphilis	18, 19, 21, 23, 27, 37, 38, 39, 43, 49, 60
Congenital, 44; Congenital, Cornea, 53; Heart, 27, 40, 65;	
Hereditary, 62; Labyrinthine, 50; Liver, 28, 45, 67; Mexican,	
13; Nose, 60, 61; Tertiary, 62; Uterus, 16	
Syphilitic Nodes	19
Syphilitic Periostitis	29, 44
Syphilitic Spinal Meningitis	66
Syphilitic Paralysis	64
Syringomyelia.....	19, 23, 24, 36, 39, 52, 57, 58, 59, 63, 64, 66
Systole and Diastole	79
Tabes Mesenterica	33
Tachycardia, Paroxysmal	65
Talipes Valgus	31
Talus	71
Tape Worm	21, 41, 50
Tarsal Glands	78
Tears, Overflowing	54
Technic, Homo-Vibra Ray Instrument.....	1-7
Technic, Urinalysis	4
Teeth	82
Teeth, Caries of.....	19
Telangiectasis	63
Temperature	4, 83
Temporal Bone	71
Caries of, 22, 48, 52; Necrosis of, 48	
Temporomaxillary Rheumatism	22
Tenderness	43-47
Abdominal, 46-47; Breast, 45; Chest, 45; Epigastrium, 46;	
Hypochondrium, 45-46; Hypogastrium, 47; Iliac, 46-47;	
Liver, 46; Lumbar, 44; Perinaeum, 47; Scalp, 43-44; Spine,	
44	
Tendon	76
Tenia	13
Tenonitis	51, 56
Teno-synovitis	36
Tension, High Arterial.....	21
Testicles	9, 34, 74, 80
Cancer of, 24, 34; Injuries to, 35; Pain in, 34-35; Peri-	
naeal, 33; Tuberculosis of, 35	
Testicular Cysts	31
Tetanus (See Tetany)	23, 38, 52
Tetany (See Tetanus)	63, 64
Thigh	83
Thigh, Pain in.....	36
Thoracic Aneurysm.....	26, 64, 67
Thoracic, Descending, Aneurysm of.....	41
Thoracic Duct	73
Throat	80
Cancer of, 23; Foreign Body in, 23; Pain in, 23	
Throbbing, Sensation of	66
Thrombosis	38, 64
Cavernous Sinus, 51, 56; Cerebral, 21, 50, 51, 57, 59; Eye-	
ball, 55; Lateral Sinus, 44, 49; Long. Sinus, 51; Mesenteric	
33; Pulmonary, 30; Pulmonary Artery, 27; Renal, 26; Spine,	
63; Sup. Long. Sinus, 19, 56	
Thrombus	13
Thumbs, Bones of.....	71
Thymus	74
Thymus, Enlarged	56, 63
Thyroid	9, 74
Thyroid Extract Poisoning	81
Thyroxin	82
Tibia	71
Old Fracture of, 31; Osteoma of, 31	

	Page
Tic-douloureux	40
Tin	75
Tinea Tarsi	53
Tingling	63
Tinnitus Aurium	50
Tissue	83
Tissue, Colloidal	73
Tobacco	57
Tobacco, Abuse of	60
Toe Joints	72
Toes	83
Bones of, 71; Raynaud's Disease of, 37; Trauma of, 37	
Tongue	80, 83
Cancer of, 19, 22; Lesions, Basal, 19; Mucus, 82; Ulcer of, 22	
Tonsillitis	23
Tonsillitis, Follicular	38
Tonsils	80
Concretions of, 23; Tuberculous, 23	
Tophi	47
Gouty, 52; Inflamed, 48	
Toxaemia	22
Toxins—	
All Diseases, 13; Alcohol, 13; Anger, 13; Brain, 13; Candy, 13; Carbohydrates, 13; Carcinoma, 11, 13; Chickenpox, 13; Destroyed, 13; Diphtheria, 13; Fatigue, 13; Fats, 13; Food, 13; Hate, 13; Influenza, 13; Lesion, 13; Lues, Congenital, 13; Malaria, 13; Measles, 13; German Measles, 13; Mumps, 13; Pertussis, 13; Pneumonia, 14; Proteids, 14; Serums, 14; Small-pox, 14; Streptococcus, 14; Sugar, White, 14; Typhoid, 14; Vaccine, 14; Venereal, 14	
Trachea	80
Trachoma	51, 52
Trachoma, Old	52
Trachomatous Ulcer, Cornea	54
Transverse Colon	77
Trauma	44, 47, 83
Ear, 48; Hand, 36; Meatus, 49; Toes, 37	
Traumatic Neurasthenia	35, 44, 64
Traumatic Spondylitis	24, 42, 44, 66
Trench Mouth	14
Trichinosis	18, 38, 41, 43, 51, 59, 67
Tricuspid Valve	79
Trigeminal Neuralgia	19, 21, 22, 44, 52, 54, 59, 61
Trigeminal Paralysis	53, 54
Trigeminus	76
Trochlear Nerve	76
Tubal Colic	17, 30, 40
Tubal Foetation	30
Tubal Gestation	47
Tubal Pregnancy	47
Tube Casts	83
Tubercle—	
Bladder, 30, 33, 34; Caecum, 47; Hand, 36; Nose, 61, 63	
Tubercular Synovitis	40
Tuberculosis—	
Acquired, 14; After Vaccination, 14; Animal Parasite, 14; Avian, 14; Bone, 37, 38; Complicating Hay Fever, 14; Cornea, 53; Cryptogenic, 14; From Cows' Milk, 14; From Pollen, 14; Fruit, 14; Inherited, 14; Kidney, 15, 25, 32; Joint, 39, 42, 43; Meatus, 49; Orbit, 55; Prostate, 33, 34; Testis, 35; Uterus, 16; Vegetable, 14	
Tuberculous Abscess	26
Tuberculous Discharge, Eye	55
Tuberculous Meningitis	24, 25, 38, 52, 56, 57
Tuberculous Pharyngitis	23
Tuberculous Rhinitis	62
Tuberculous Synovitis	40
Tuberculous, Tonsillitis	23
Tuberculous Ulcer, Cornea	54

	Page
Tularemia	14
Tumefaction	14
Tumor—	
Abdominal, 26, 34, 36, 38, 65; Antrum, 56; Benign, 10;	
Brain, 21, 50, 56, 58, 59, 60, 64; Cauda Equina, 25, 38;	
Cerebellar, 26, 41; Cerebral, 19, 40, 43, 59; Clon, 34;	
Cord, 24, 26, 30, 66; Cranial, 42; Crus, 52; Eyelid, 52; Intra-	
cranial, 42; Labyrinth, 49; Mediastinum, 26, 29, 35, 44, 67;	
Neck, 56, 57, 63; Optic Nerve, 56; Orbit, 53, 55, 56; Pel-	
vic, 36, 67; Serofibrinous, 14; Spinal, 33, 36, 41, 42, 44,	
63, 64; Suprarenal Capsule, 35; Uterus, 25	
Turbinate, Middle, Cyst of.....	61
Turbinated Bone, Enlarged.....	21, 61
Twelfth Dorsal Nerve, Neuralgia of.....	31, 46
Typhoid Spine	26, 44
Typhoid, Toxins of.....	14
Typhus.....	10, 21, 49, 50, 54, 57, 59, 61
Typhus, Malignant	51
Tympani	78
Tympanites	65, 66
Tympanum, Ruptured	49
Ulcer	14
Bladder, 30, 34, 47; Catarrhal, 53; Cornea, 53, 59; Diph-	
therial, Eye, 53; Duodenum, 28, 30, 35, 41, 42, 44, 65;	
Gastric 26, 30; Gonorrhoeal, Eye, 53; Herpetic, Eye, 53;	
Intestine, 33; Larynx, 22; Nose, 62, 63; Pharynx, 80; Phlyc-	
tenular, Eye, 53; Pyloric, 40; Rectum, 33, 34, 67; Rodent,	
Cornea, 53; Rodent, Ear, 48; Stomach, 15, 24, 28, 30, 41;	
43, 44, 46, 65; Tongue, 22; Trachomatous, Cornea, 54;	
Tuberculous, Cornea, 54	
Ulcerated Teeth	14
Ulna	71
Ulnar Nerve	76
Uterior Motive	75
Umbilical Hernia	31
Umbilicus, Pain in	30
Uraemia	19, 21, 49, 57, 60
Uranium	75
Urates	83
Urea	83
Ureter, Clot in	40
Ureter, Stone in	34
Ureteral Calculus	31, 32, 34, 40, 46
Ureters	80
Urethra	80
Urethral Abscess	47
Urethral Calculus	39, 40
Urethral Caruncle	11, 14
Urethral Granulations	34
Urethral Muscle	75
Urethritis	17
Uric Acid	14, 68
Uric Acid Crystals	83
Urinalysis	4, 83
Urticaria	38, 51, 64
Uterine Atrophy	15
Uterine Congestion	15, 16, 47, 67
Uterine Diseases	19, 24, 34, 64
Uterine Displacement	36
Uterus	8, 74, 79
Cancer of, 16, 17, 18, 24, 30, 31, 34, 38, 40, 46; Fibroid	
of, 15, 24, 30, 32, 40, 41, 67; Flexions of, 24; Hypertrophy	
of, 15, 16, 30; Inversion of, 16, 24, 30, 67; Neuralgia of,	
30; Obstruction in, 16; Polypus of, 16, 40, 67; Prolapsus	
of, 16, 17, 24, 30, 31, 46, 67; Retroflexion of, 16, 26, 31,	
46; Sarcoma of, 16, 17, 24; Syphilis of, 16; Tuberculosis of,	
16; Tumor of, 25	
Uvula	80
Uvula, Swollen	23

	Page
Vaccine, Toxins of	14
Vacillating	75
Vagina	79
Vaginal Discharge	17-18
Vaginal Epithelioma	33
Vaginal Fibroid	17
Vaginal Muscle	75
Vaginal Polypus	17, 18
Vaginal Wall	79
Vaginismus	17
Vaginitis, Acute	34
Vaginitis, Catarrhal	17
Vaginitis, Senile Granular	17
Vagus Nerve	76
Valve—	
Aortic, 79; Ileo-cecal, 77; Mitral, 79; Pulmonic, 79; Tri-	
cuspid, 79	
Valvular Disease	21, 27, 36, 65
Varicocele	31, 35
Varicose Veins	14
Varicosities, Nose	63
Variola	21, 26, 51, 61, 64
Variola, Malignant	17, 51
Varix, Orbit	56
Veins	73
Vena Cava, Inferior	73
Vena Cava, Superior	73
Venereal Toxins	14
Ventral Hernia	12, 25
Ventricle, Right, Dilated	29, 46, 65
Ventricles	79
Vertebrae—	
Bones, 72; Caries of, 23; Joints, 72	
Vertigo	68
Vesical Calculus	25, 33, 34, 36, 40, 41, 43, 47
Vesiculitis, Seminal	33, 34
Visceral Inflammation	37
Visceral Parenchyma, Inflammation of	39
Vision	57-60, 78
Vitality	83
Vitamin	83
Vitamin Poisoning	81
Vocal Cords	80
Voluntary Muscle	76
Vomiting	51, 56
Vulvitis	17
Warts	14, 52
Water Poisoning	81
Wax, Ears	11, 78
Wax, Meatus	19, 49, 50
Waxy Ears	47
Weight, Sensation of	66
Weil's Disease	21, 38, 43, 45
Whiskey Poisoning	81
White Kidneys	12
Whooping Cough	51, 54, 59, 60, 61, 63
Wisdom Teeth	82
Worms	14, 17, 61, 63, 64
Animal, 14; Fluke, 14; Pin, 14	<i>Tape 21, 41, 50</i>
Worry	75
Wrist Joints	72
Xanthelasma	52
X-Ray Burn	14
Yellow Atrophy, Acute	17, 28, 29, 45, 46, 56, 63
Zinc	75