

WIND MILLS for the 21st century!

Many companies now have windmills so powerful they are selling the energy back to the electric companies! There are many windmill electric generating companies that are operating out west and supplying cities with free electric, It is amazing how much free energy you can get from just one windmill.

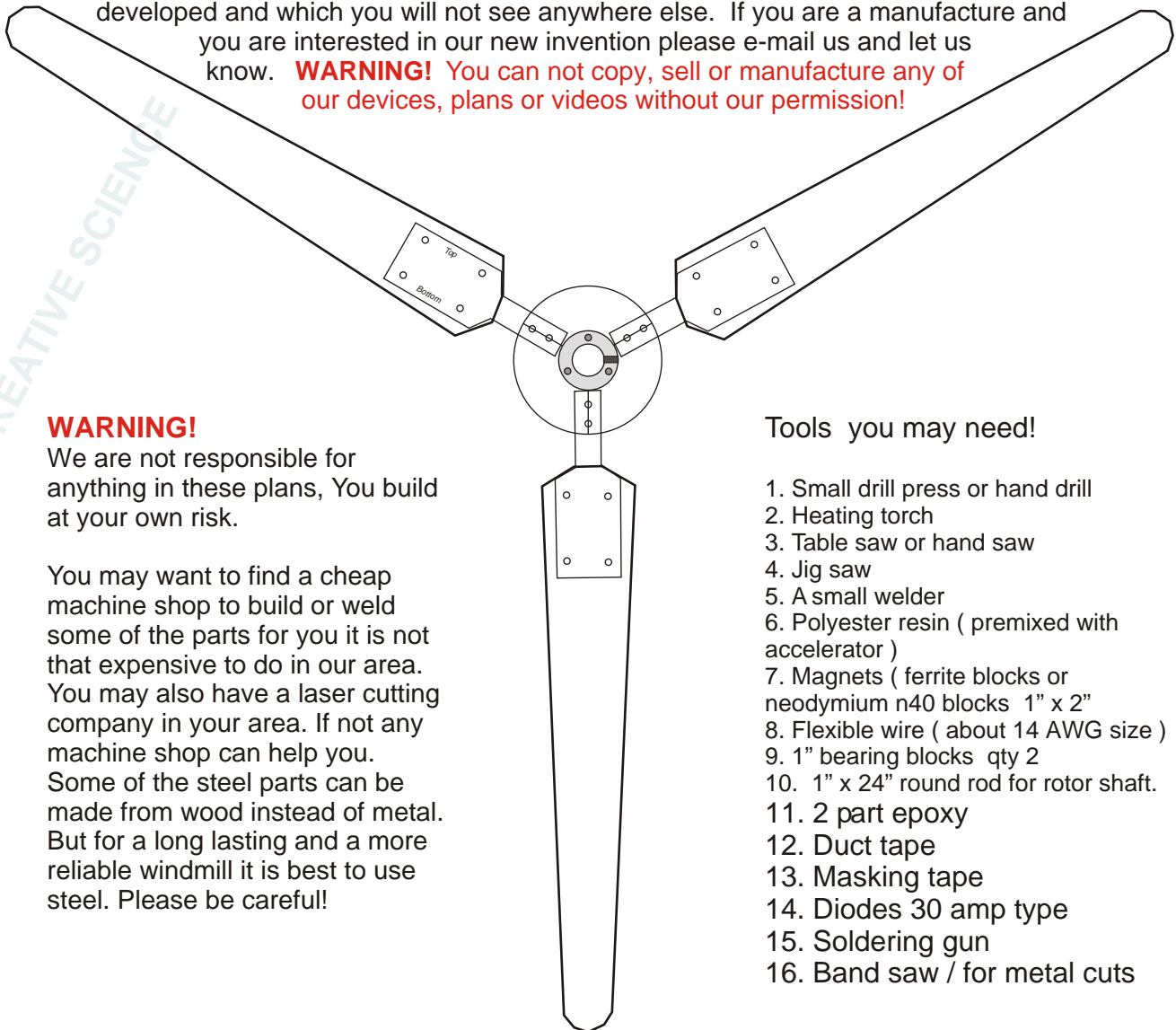
Use your windmill(s) to charge 12 volt dc deep cycle marine batteries, you can buy these batteries anywhere. then buy or build a 2,000 to 5,000 watt inverter, Inverters are sold on the internet from solar panel companies or RV supply stores in your area, I am also seeing smaller ones being sold at local automotive stores as well as K-mart Stores. The Inverter will hook up to any 12 vdc battery and step up the voltage to 115 vdc and then converts that 115 vdc to usable 115 vac x 60 hz, some are pure sine wave just as what is running into your home and some are modified sine wave inverters. You can run lights, tv's, vcr's, dvd players, etc..



Wind blade Construction

There are many options to building a powerful windmill and generator we will show you just a few. Some of the designs we have made have copyright and Patent Pending, such as our **New Sp500 Low Rpm Generator design** (not included in these plans... Cost is \$70 order # Sp500) This is a new type of generator which has never been seen before, it was designed and developed by David Waggoner of Creative Science & Research. It is truly a **New Discovery** for the 21st century! **Very High Efficient!**

The Sp500 generator is a very powerful and high efficient low rpm generator that we have developed and which you will not see anywhere else. If you are a manufacture and you are interested in our new invention please e-mail us and let us know. **WARNING!** You can not copy, sell or manufacture any of our devices, plans or videos without our permission!



WARNING!

We are not responsible for anything in these plans, You build at your own risk.

You may want to find a cheap machine shop to build or weld some of the parts for you it is not that expensive to do in our area. You may also have a laser cutting company in your area. If not any machine shop can help you. Some of the steel parts can be made from wood instead of metal. But for a long lasting and a more reliable windmill it is best to use steel. Please be careful!

Tools you may need!

1. Small drill press or hand drill
2. Heating torch
3. Table saw or hand saw
4. Jig saw
5. A small welder
6. Polyester resin (premixed with accelerator)
7. Magnets (ferrite blocks or neodymium n40 blocks 1" x 2"
8. Flexible wire (about 14 AWG size)
9. 1" bearing blocks qty 2
10. 1" x 24" round rod for rotor shaft.
11. 2 part epoxy
12. Duct tape
13. Masking tape
14. Diodes 30 amp type
15. Soldering gun
16. Band saw / for metal cuts



Wind blade Construction

Wooden Windmill Blades: You can make the windmill blades out of wood, PVC plastic or aluminum. We feel we have made the windmill blade design much more easier to build than any other windmill design out there. The flat flywheel type generator in these plans is Nikola Tesla technology, It is a common low rpm generator design that is found in hundreds of windmills all over the world. but our **new Sp500 generator discovery** we feel is far better and is much more high efficient and can out perform the common Tesla type generator.

I will go as far as to say we have discovered a new Star Wars technology!

So why don't we include our New Sp500 discovery in these plans?

Because it is such a new and fantastic invention that we would be giving it away for free if we were to include it in these plans. It's a *New Discovery* that is going to *Change our World!*

We should be selling the plans for \$600 but we are only asking \$70 order # Sp500

Our New Sp500 Low Rpm Generator is not just a generator! It can be used in other applications as well!

Home Ceiling Fan Design:

Home ceiling fans *if you will look closely at them* are a great design to go by. They provide a great way to make a simple windmill blade system. You simply make a "steel wind blade plate assembly (part # 001)" and have a laser cutting company or machine shop cut out the following design using 1/4" steel, you would be surprised how cheap it is to let them do it for you rather than you trying to cut it out by hand using a metal cutting blade and a jig saw. You will need to cut 4 separate pieces, 3 Fin holders and 1 steel disk or flywheel.

Laser cutting is best and will provide the best performance as far as a good balanced rotor. Ask the machine shop what they would charge to bend the Fin Holders (part #002) a good angle is about 30 degrees. If you think a machine shop is to high then shop around for the best price. I have found some shops to be much cheaper than others. Of course you can do the work yourself. Once you have the wind blade plate assembly cut out then you will need to bend the fin holders, place the fins in a vice grip or on a flat table, use Qty -2 pieces of angle iron and secure them both to the fin using 2 - small C - clamps. (You will also need a protractor) heat area C- with a heating torch or other and bend the fin to a 30 degree angle, repeat and do this to the other 2 remaining Fin Holders. Make sure you bend and do the exact same thing you did on the first fin holder.

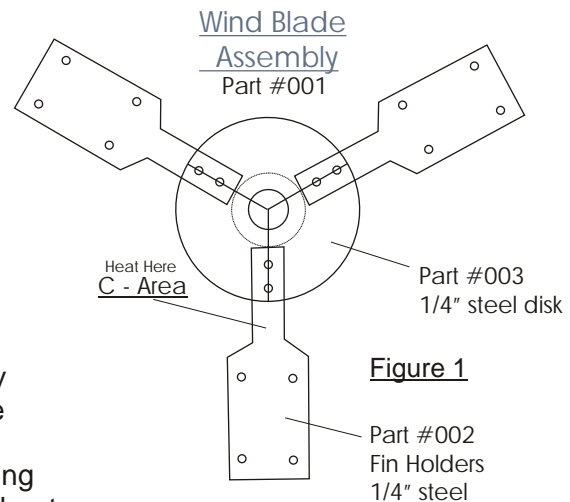
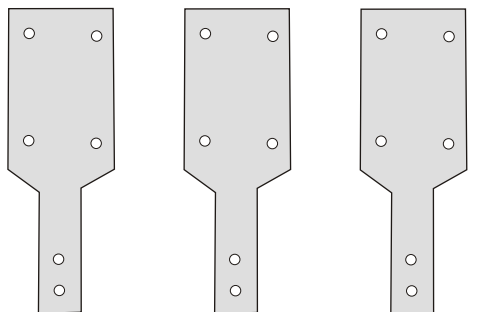


Figure 1

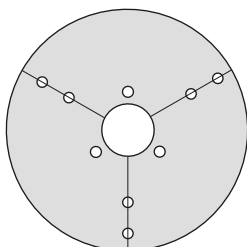


You want all 3 fin blades to be the same. **See Fig 2:** Place section B (Bottom end of fin holder) in a table vice or other C-clamp vice method and heat C-section and bend section D to a 30 degree angle. Note: *Be sure to drill your bolt holes before you bend the fin blade holders.* Section B can be bolted to steel rotor disk or bolted and then welded.

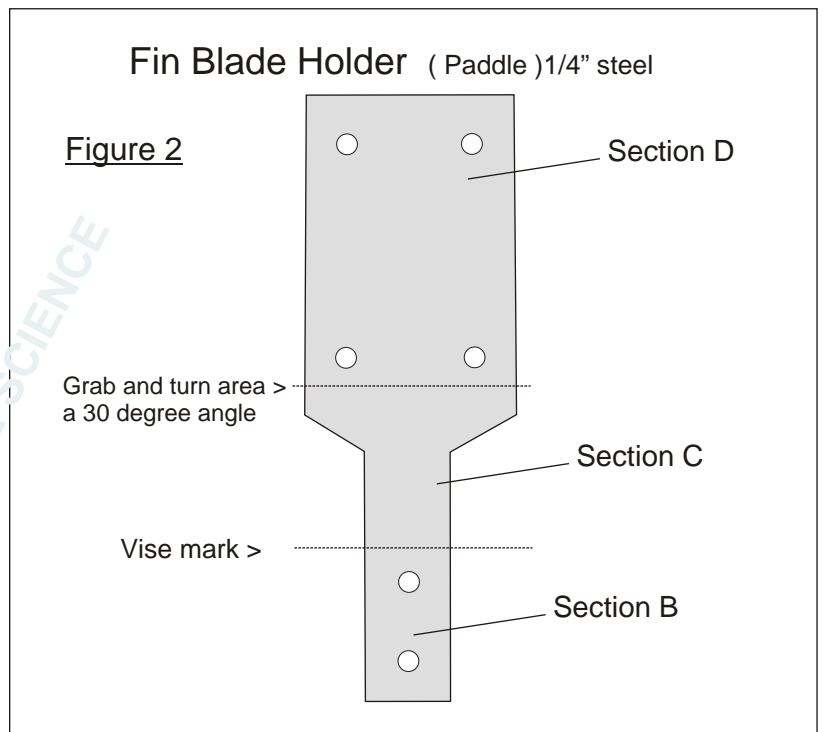
Once this is done you can attach your PVC Fin blades or wood fin blades to the 1/4" steel fin holders. We prefer to use 1/4" PVC blades which you can purchase 1/4" PVC at a local sign or screen printing company near you. Or you could order the PVC online. Wood is cheaper but will not last a long time. You will not have to do anything with the fin blades except cut them out with a hand jigsaw cutter and drill your holes. You do not have to bend and shape the wood fins as shown on many internet web sites, you can simply use flat wood. If you choose to build Fin blades as seen on the internet it would be best to cut and shape one model fin blade and then make a mold casting of it. You can use Fiberglass, or epoxy resin or automotive body filler for your mold casting. You simply cut and shape the one fin to the same design as seen on the internet, and then sand down the wood to a smooth finish, build a mold box, spray entire wood fin with cooking grease spray or other, Then place wood fin flat on a greased piece of plywood larger than the mold and fin. Center it inside of your plywood box mold and begin filling with resin epoxy or other. Wait overnight and remove fin from mold. Repeat the process 2 more times. If you need to make more than one windmill for yourself you now have the find blade molds. I have seen this process done on the internet they even provide color photo's.



Part # 002 Qty -3 1/4" steel Fin Blade Holders



Part # 003 1/4" steel flywheel Disk
Laser cut or use a metal cutting jig.



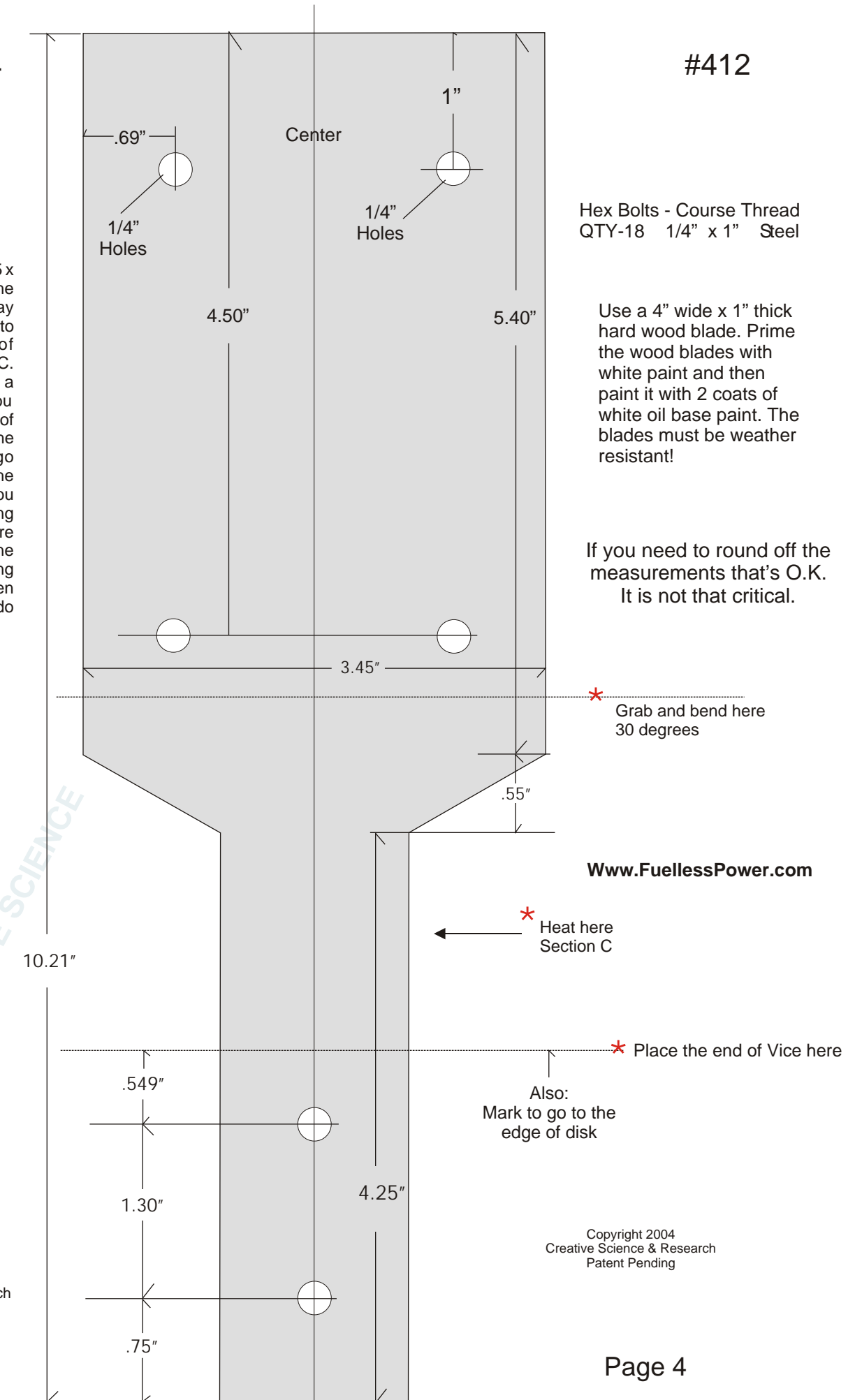
TEMPLLET

Fin Blade Holder

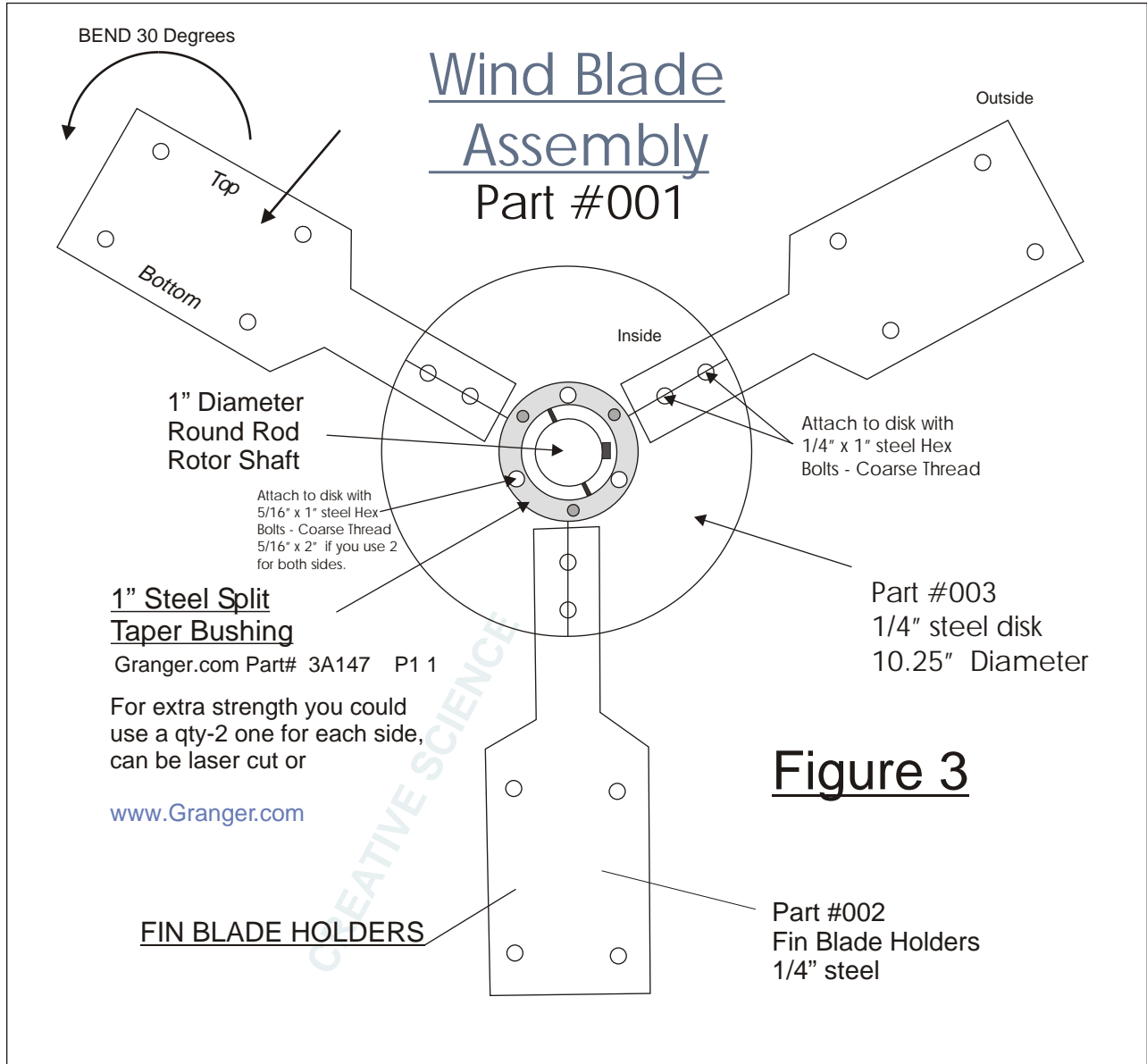
If you cut out your self using a metal cutting blade and a hand held jig saw or table.

Copy 1 of these on 8.5 x 11" paper, spray the back side with spray adhesive and attach to a strong piece of cardboard or thin PVC. Cut it out and use as a Templet guide, or you can copy 3 pieces of paper and adhesive the back sides and go ahead and stick to the 1/4" steel sheeting you are going to be cutting out. Of course if you are going to let a machine shop or laser cutting shop cut it for you then you do not need to do the above.

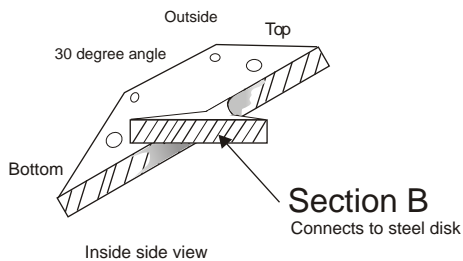
#412



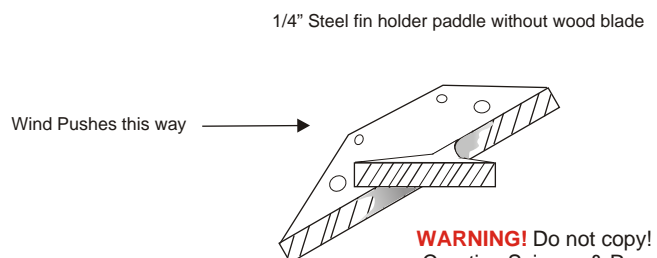
WARNING! Do not copy!
Creative Science & Research
2004 www.Fuelless.com



FIN BLADE HOLDERS

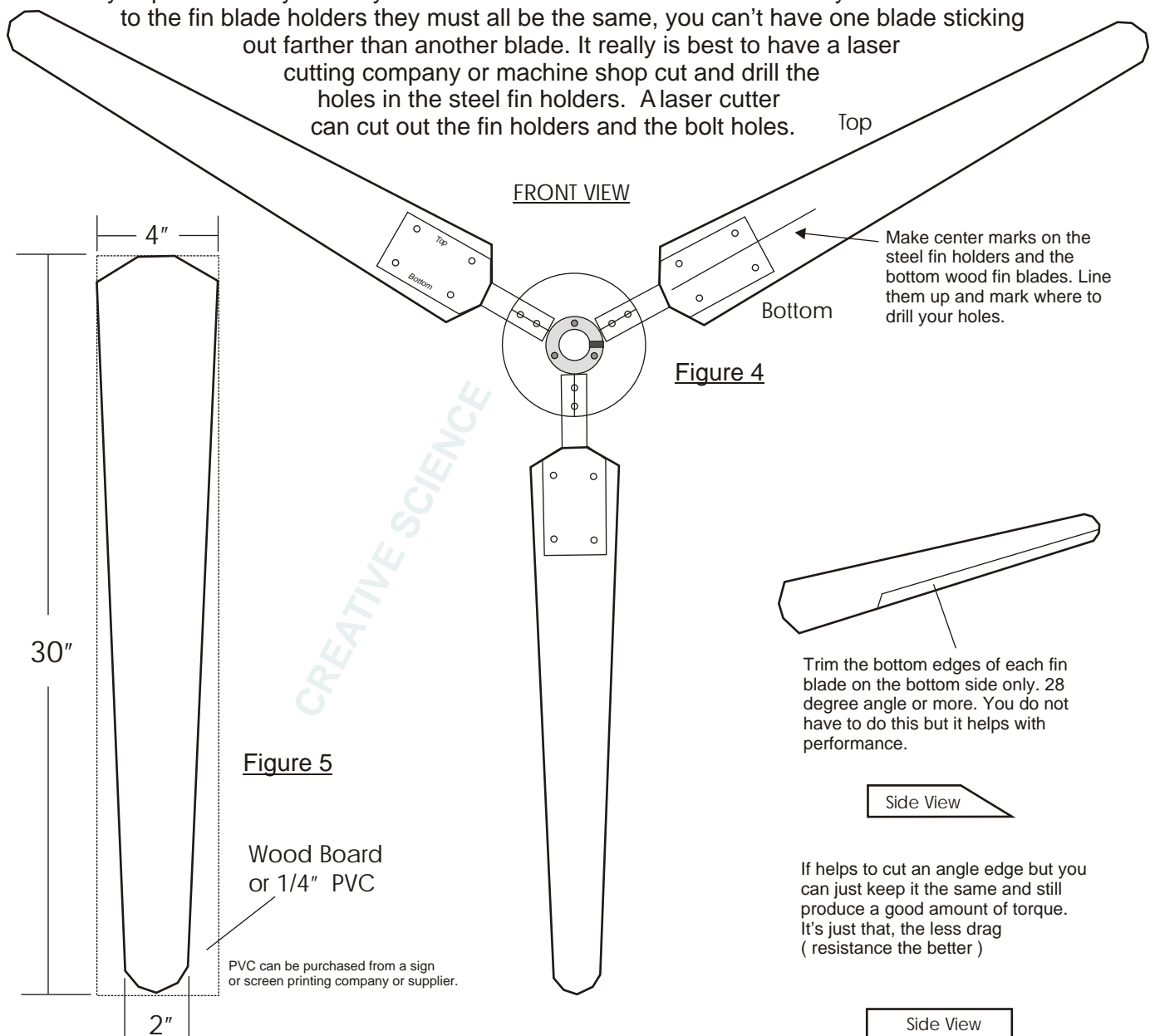


FIN BLADE HOLDERS





This blade design works well but it is not the best for low winds! But it looks good, Maybe that's why most people and companies make them to look this way. If you want to raise the efficiency of the windmill, Add more blades, the more the better... Horsepower will increase and you can drive a bigger generator with it. Blades must all be the same size and weight so the best way to layout and cut the blades is to use a templet that you can trace with a very fine pencil. The Templet can be made out of fine cardboard or use 1/8" PVC sheeting it is the best and can be cut easy with a matt knife. The objective is to get every blade the same weight and shape as to achieve a perfect balance. It is also very important that you drill your holes in the exact same areas. When you attache the blades to the fin blade holders they must all be the same, you can't have one blade sticking out farther than another blade. It really is best to have a laser cutting company or machine shop cut and drill the holes in the steel fin holders. A laser cutter can cut out the fin holders and the bolt holes.



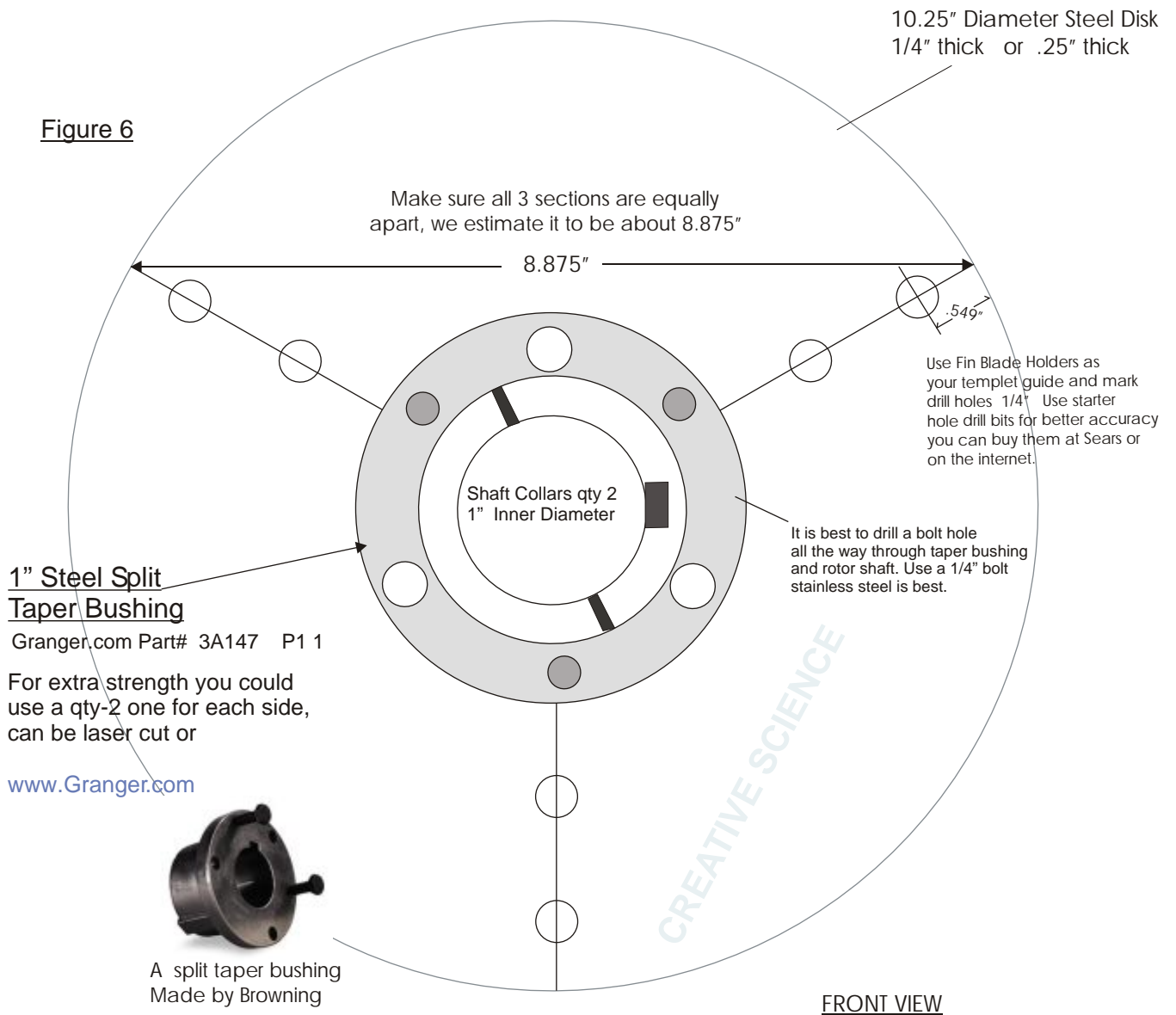
Example: Fin Wind Blade after templet is placed on top of wood and marked with a very fine pencil mark. Cut out with a table saw or electric hand saw or jig saw.

WARNING! Do not copy!
Creative Science & Research
2004 www.Fuelless.com



STEEL FLYWHEEL DISK: Use 1/4" thick steel x 10.25" Diameter. (you can use wood but steel is better!) Have a machine shop or Laser cutting company cut the Steel Disk for you. Or you can cut it yourself using a band saw. The steel flywheel will be attached to the 1" steel shaft, use a 1" x 24" Steel shaft, you can see a list a steel round rod at www.smallparts.com you can get a very high grade steel made for motors for about \$76 or buy a cheaper cold roll rod for about \$15, or you can go to your local machine shop and they may sell you a chrome polished round rod for about \$20.. Tell them what it's for.

Figure 6





PARTS

PARTS: see www.Grainger.com (they only sell to business but that's OK you start your own research business today, just give it a good business name and that's all Graingers needs.) You can also buy your supply's and parts from Small Parts Inc. at: www.SmallParts.com they carry some really awesome stuff! There phone # is 1-888-455-9712 Some of the parts you will need could be found right in your own local town area. Machine shops, Sign and screen printing companies, industrial junk yards, hardware stores, many hardware stores have catalogs and they can order you just about anything that you need.

QTY 3
Split Taper Bushings

One is for the steel flywheel disk and the other 2 is for the magnet disks.

1" bore size = \$10.60 each

Granger.com
Part # 3A147 P1 1



QTY -2 Cast iron flang
mount bearings 1" bore

These bearing are for the shaft to rotate on. The shaft, the rotor magnet assembly and the windmill blades assembly all move together. The windmill base and the generator coils do not move but are stationary! If you on a budget you can use a 3/4" shaft and a 3/4" QD's and flang bearing's.

1" Bore size = \$24.41 3/4" Bore = \$38.45

Please Notice
we do not sell parts
only plans and videos



QTY- 32 Magnets

You will need 16 magnets per disk. Use 1" x 2" x as thick of a magnet as you can afford. Use Neodymium they are the best but very high price, 2nd best is Ceramic.



SmallParts.com

1" x 24" Steel ground tool rod SAE 0-1
Part # B-CGDR-16 \$76.00 This is the best to use!
Machine shops may also carry polished chrome type round rod cheaper.

Or you can use Cold Steel Rolled Round Rod
1" x 24" = \$15
Make everything 3/4" D and its cheaper yet.



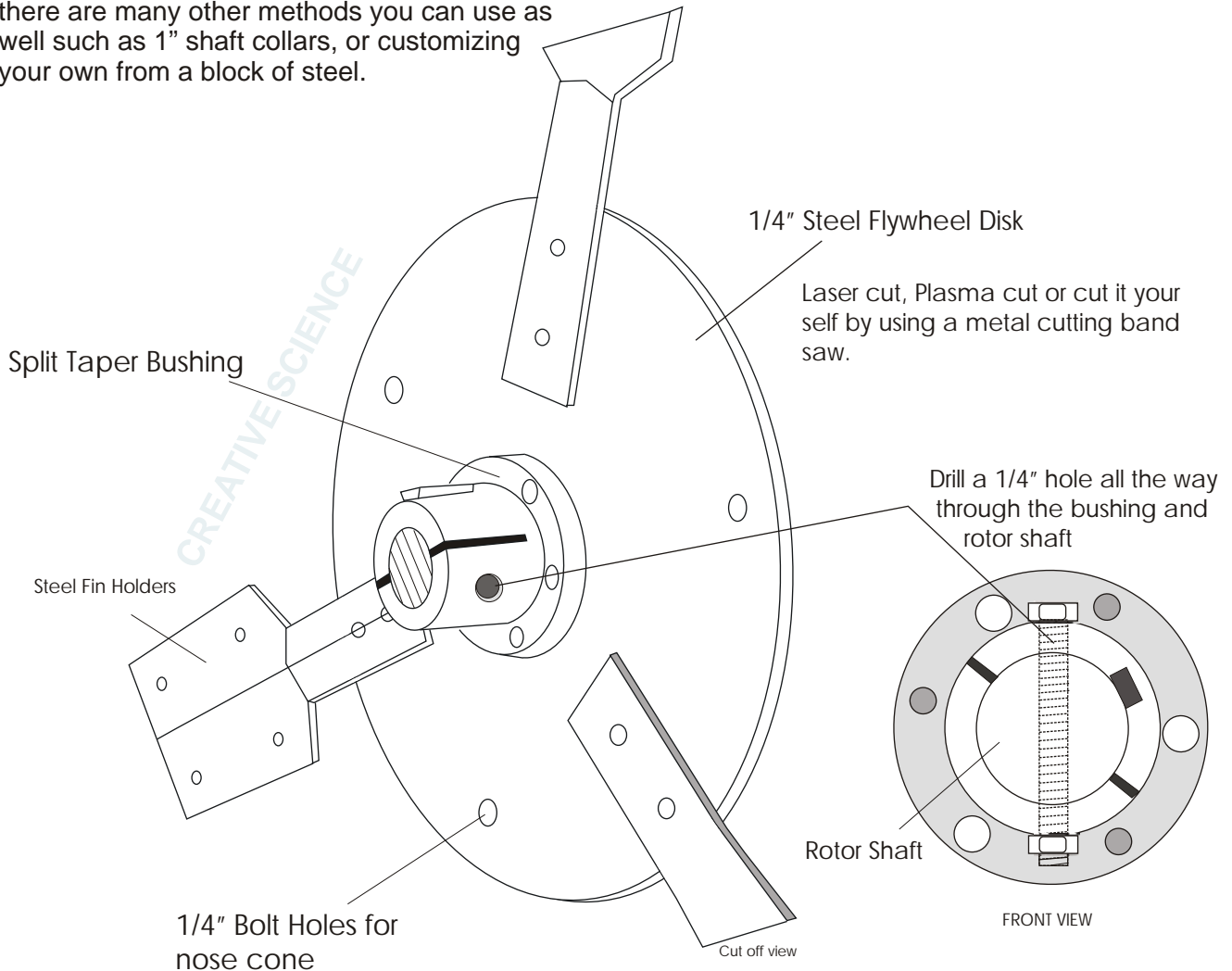
Split Taper Bushings

Split taper bushings I feel are the best to use to hold the steel flywheel disk and generator rotor disk in place on the rotor shaft. Drill a 1/4" hole all the way through the front of the bushing, this is where a bolt will go through the bushing and rotor shaft to hold the flywheel in place so the flywheel and the shaft can rotate together at the same time. Place the rotor shaft in a vice and place the steel flywheel disk onto the shaft. Then place the Split taper bushing onto the shaft and butt up against the flywheel and mark your drill holes. Don't forget to mark the front bushing holes for the shaft. You will then need to drill 1/4" holes in the shaft as well. Remove bushing and flywheel disk and drill your holes. Of course there are many other methods you can use as well such as 1" shaft collars, or customizing your own from a block of steel.



Drill 1/4" bolt holes here and in the shaft also.

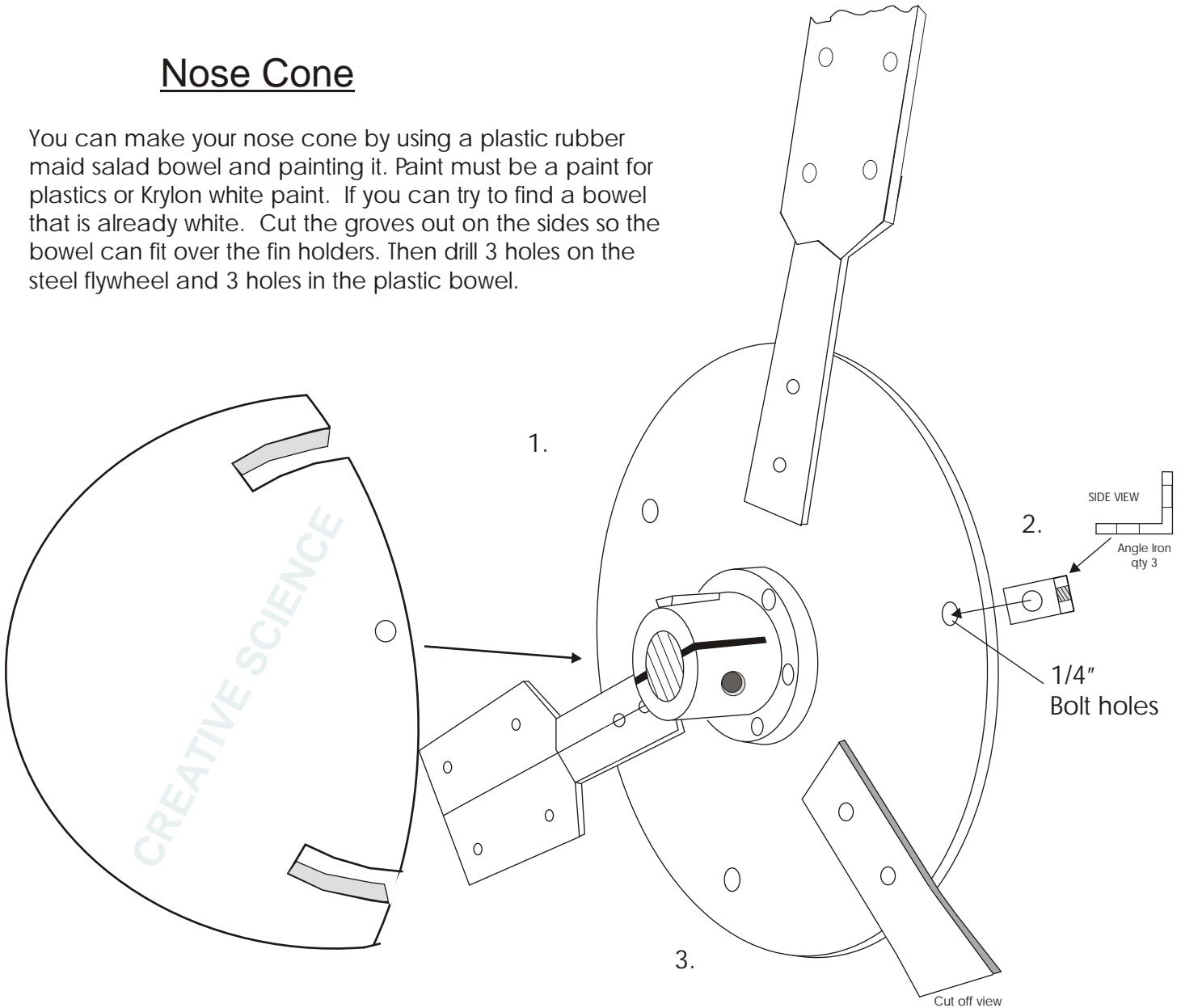
Drill 1/4" bolt holes here and in the shaft also.





Nose Cone

You can make your nose cone by using a plastic rubber maid salad bowl and painting it. Paint must be a paint for plastics or Krylon white paint. If you can try to find a bowl that is already white. Cut the grooves out on the sides so the bowl can fit over the fin holders. Then drill 3 holes on the steel flywheel and 3 holes in the plastic bowl.



Drill all holes 1/4" in diameter. Cut small pieces of angel iron or aluminum angel, you will need 3 each. Drill 2 holes in each. These are used to attach the nose cone to the steel flywheel. Once cone is in place caulk all holes and cracks with clear silicon caulk to protect from weather. It is also a good idea to spray paint all metal pieces with 3 to 4 coats of enamel paint.

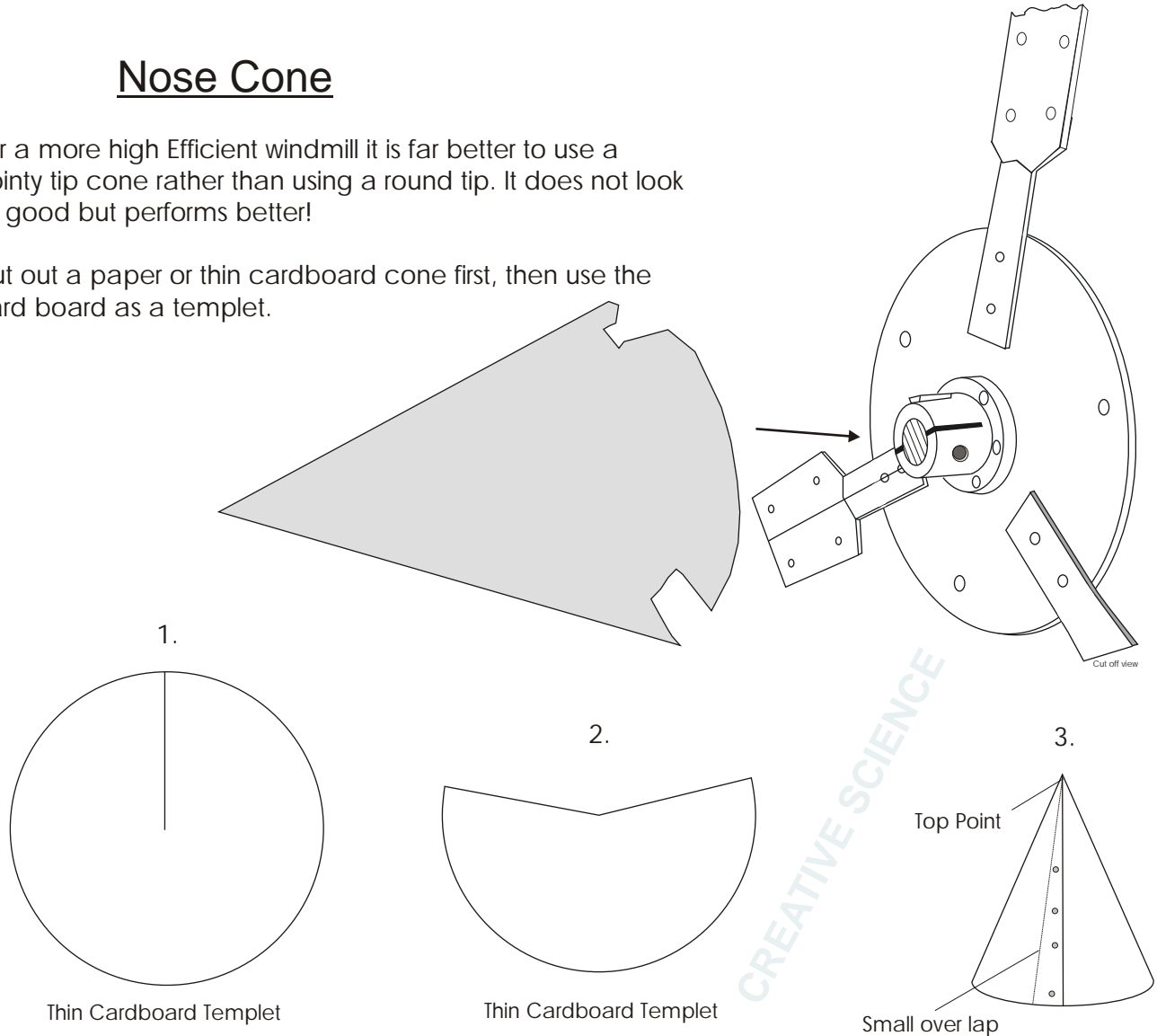
Another nose cone option would be to make a mold out of fiberglass or wood, make the wall of the cone no thinner than 1". Use Fiberglass resin and steel mesh for strength. Other options: If you have a lathe you cane spin your own wooden cone, use soft wood. The inside does not have to be hollow all the way to the tip.



Nose Cone

For a more high Efficient windmill it is far better to use a pointy tip cone rather than using a round tip. It does not look as good but performs better!

Cut out a paper or thin cardboard cone first, then use the card board as a templet.



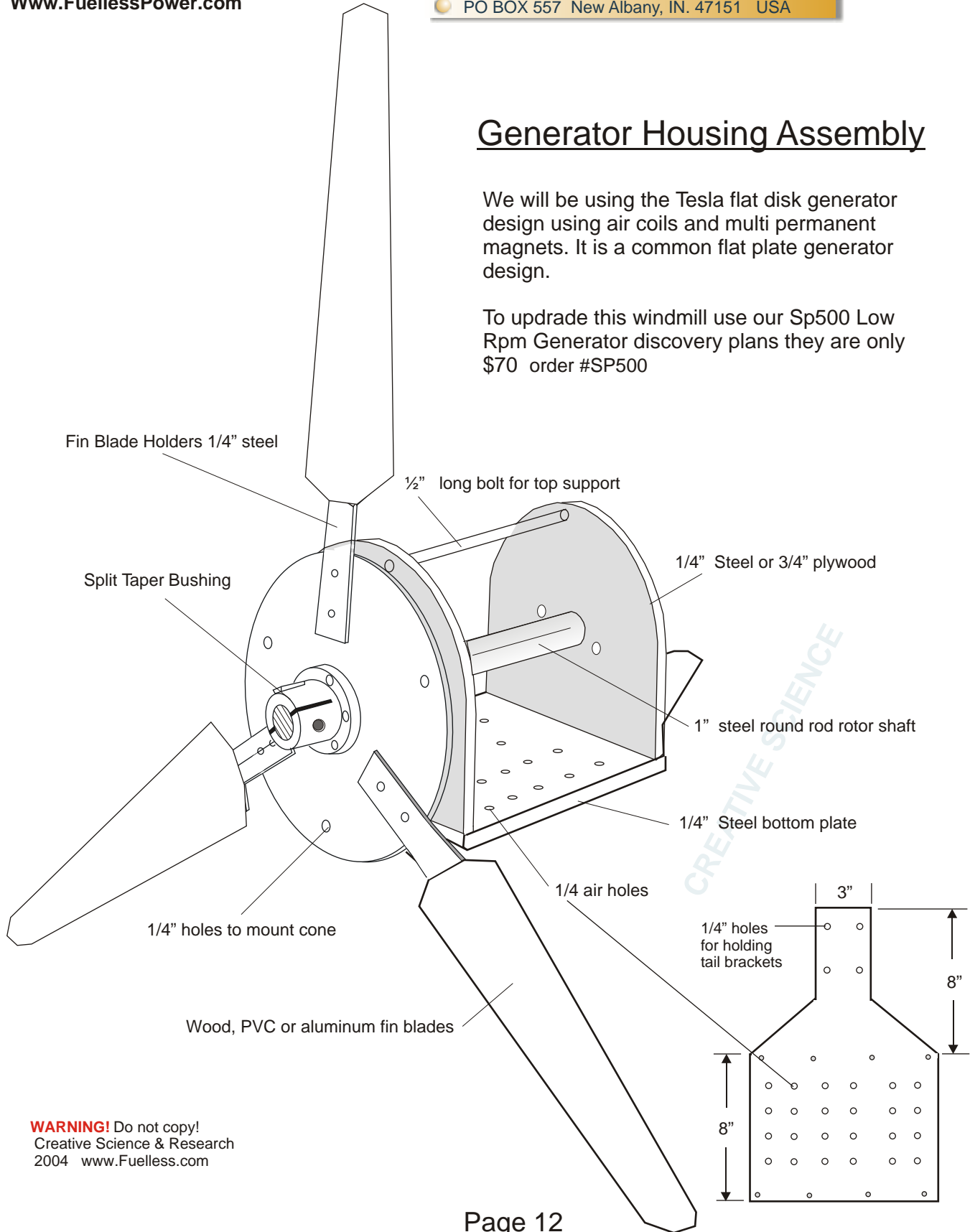
Now use the cardboard templet to draw lines on your sheet metal. Cut the sheet metal and shape it to a cone shape and drill holes in over lap area and place rivets in holes. Then sand down metal on outside and mix and use auto body puddy and fill in any cracks and seems. Let dry and then sand down to a smooth even look. You may want to grind off some off the top point a bit, if you do you can fill it with body puddy and then round it with a sander and by hand. Use course sand paper for first shaping then very fine sand paper for the finish. Once this is dine you can primer with 2 coates of primer paint and then 2 coates of semi gloss enamel spray paint.



Generator Housing Assembly

We will be using the Tesla flat disk generator design using air coils and multi permanent magnets. It is a common flat plate generator design.

To upgrade this windmill use our Sp500 Low Rpm Generator discovery plans they are only \$70 order #SP500

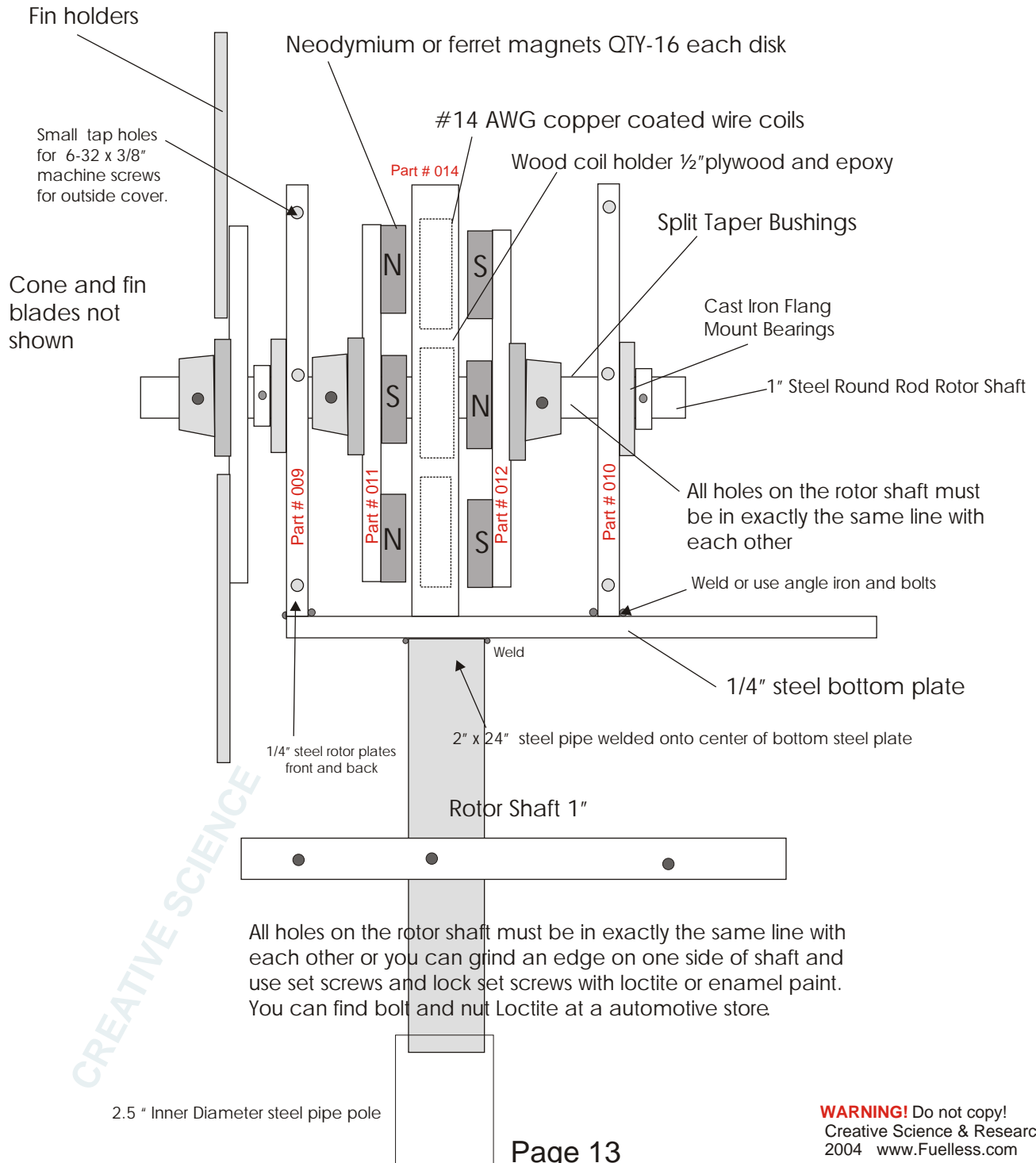


WARNING! Do not copy!
Creative Science & Research
2004 www.Fuelless.com



Side View

Generator Housing & Generator / Coils & Magnet assembly

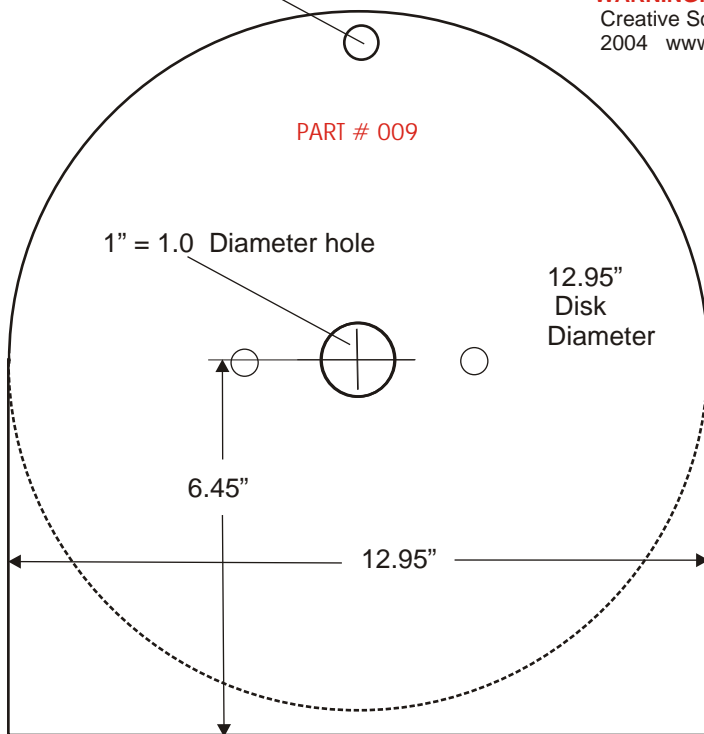




www.FuellessPower.com

PO BOX 557 New Albany, IN. 47151 USA

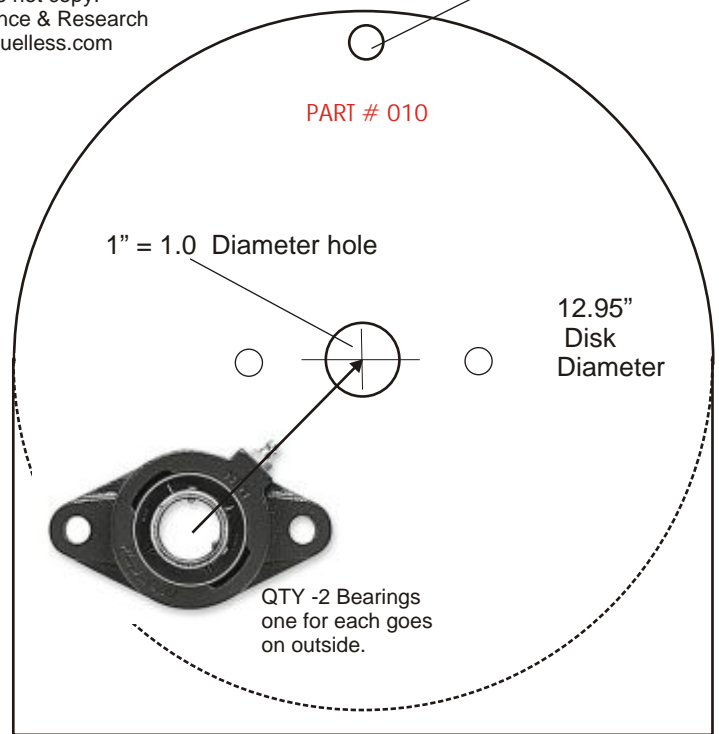
.50" = 1/2" Diameter holes



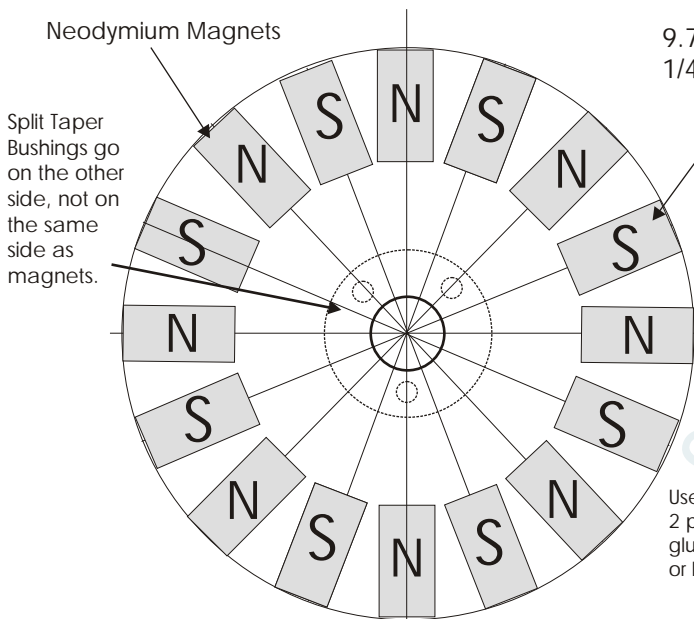
Part # 009 1/4" Steel or 3/4" plywood

WARNING! Do not copy!
Creative Science & Research
2004 www.Fuelless.com

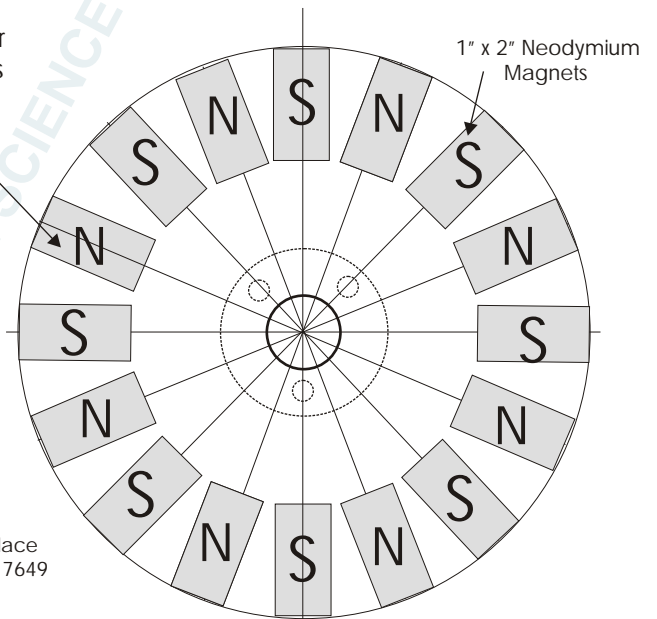
.50" = 1/2" Diameter holes



Part # 010 1/4" Steel or 3/4" plywood



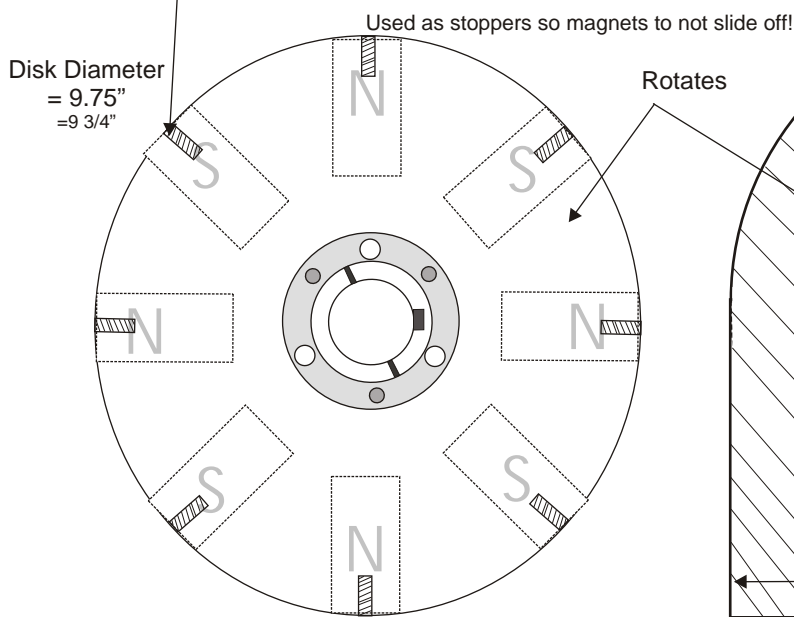
Use Devcon 2 ton 2 part epoxy to glue magnets in place or Loctite 326 and 7649



Neodymium magnets start to lose there strength at about 175 degrees F. So it is best to make sure you use a silver or white generator cover and make vent holes. Use screen mesh to keep out the birds and wasps. I am not sure but I have heard some windmill designs use Ferrite Iron Boron Magnets, they maybe able to take higher temps?? But they are weaker than neodymium makes. Neodymium are more expensive but can take a beating!

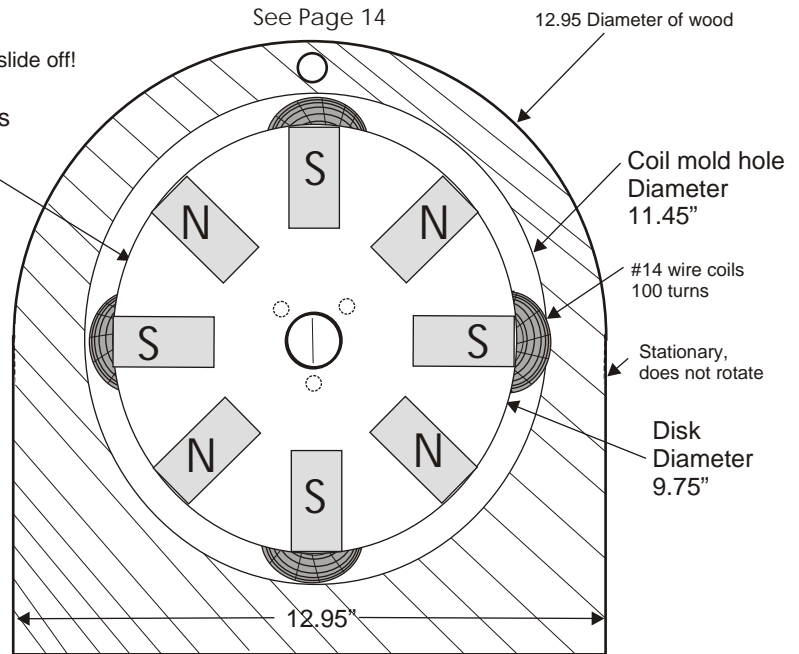


Drill holes in sides of each disk and tap out for machine bolts 6-32 x 3/8 to fit into and hold a aluminum or sheet metal holding plate.



Front side, Magnets are located on back. Both magnet rotors rotate past the coils to generate AC electricity.

EXAMPLE ONLY: NOT ALL MAGNETS ARE SHOWN!

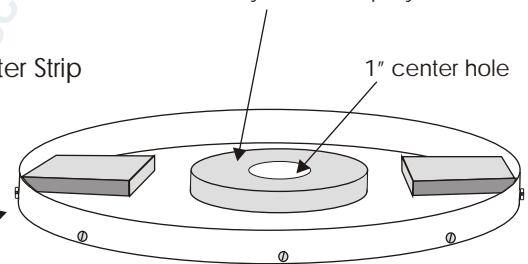
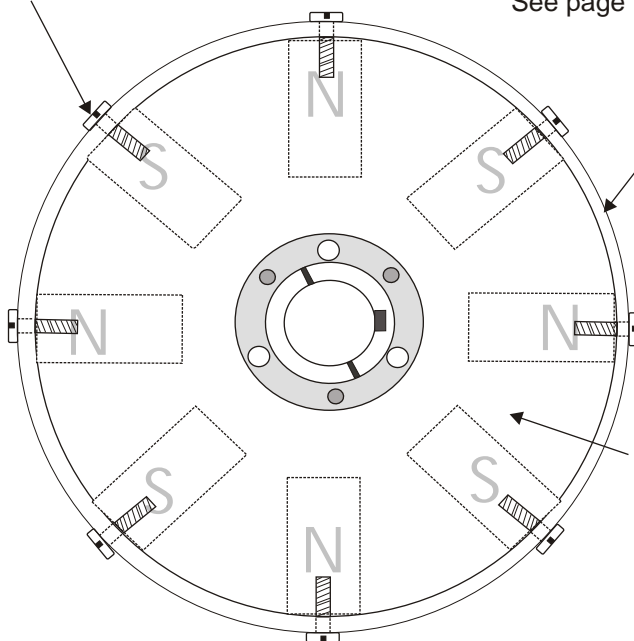


Part # 009 1/4" Steel or 3/4" plywood
Back Side, magnets facing coil

Machine bolts/
6-32 x 3/8 or more

You will need a total of 32 1" x 2"
Magnets, 16 per disk.
See page 14

Wood Disk for center hole, grease the wood only it will be removed when epoxy dries. **WARNING!** The wood disk must be in perfect center, do not let it move when you fill with epoxy!



Not all magnets shown, rough drawing.

Partial Side View

The magnets should have already been glued in place with epoxy, now fill in entire space area's between the magnets and up to the top of the magnets with 2 part Epoxy or Fiberglass resin. Let dry and remove wood disk in center. Center wood disk, and side aluminum strip should be the same height as the magnets. **WARNING!** This must be done or magnets will slide off of disk and destroy coils.



The Generator coils

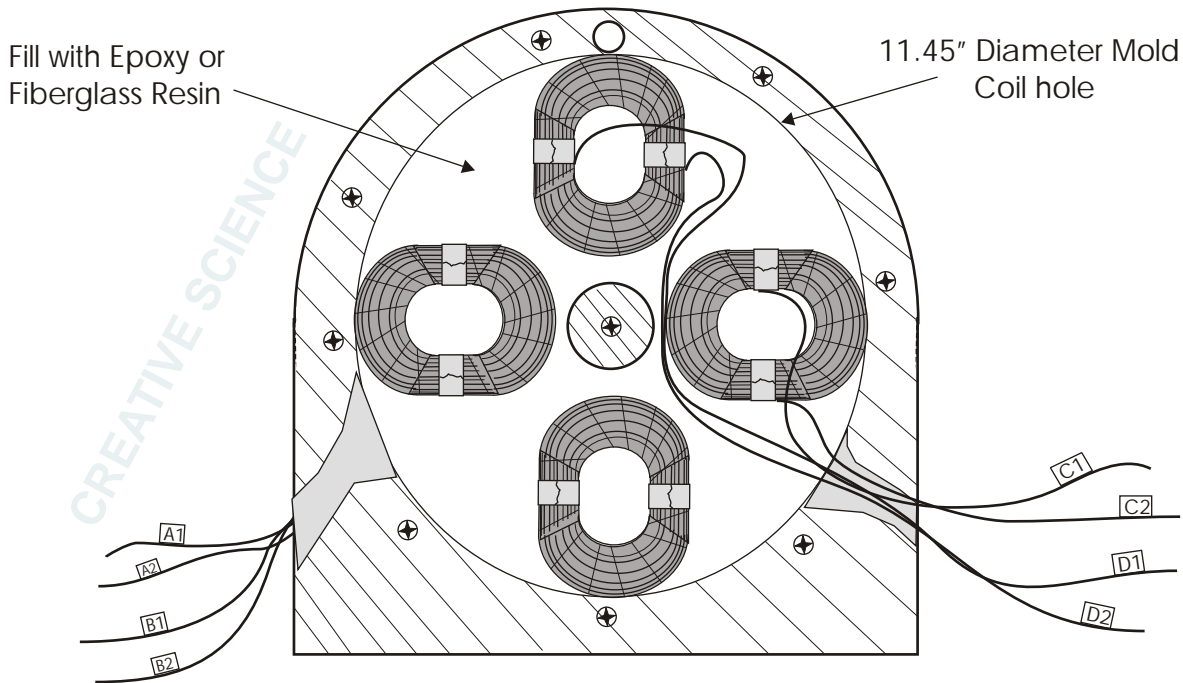
Rough drawing of open coils Use #14 AWG or #16 copper coated magnet wire, at about 100 turns each. Use 3/4" thick plywood. You will need to make a special air bobbin so you can turn and wind your wire coils on-using a small table top drill press. If you have a drill press that will turn at about 70 - 100 rpms that would be great, if you do not you can always make one, by replacing the motor in an old table top drill press and replacing it with a 90 v dc conveyor belt motor with controller, you can buy these at www.Grainger.com for about \$130.00

Make the center hole 1 1/2" diameter so the rotor shaft can easily turn in it you can do this cutting our a 3/4 thick x 1 1/2" wood disk centering on your 3/4" bottom mold plate and gluing it with wood glue or wood screws. Make sure it is center with the wood coil structure.

When making your coils mark each coil as you go. **Example:** coil #1= 1A & 1B, Coil #2 = 1A & 2B and so on.

Cut out a 11.45" D mold coil hole as seen below. Cut 3/8 grooves in the sides so there is a place for the wires to come out of. Once you have the coils made you can then place the wood structure down on a piece of greased 3/4" plywood secure it with wood screws. Now place the coils in place as you see here. You will need another piece of 3/4" x 15" x 15", but first mix your epoxy or fiberglass resin and pour it into the mold over top of the coils, fill the epoxy or resin all the way to the top of the 3/4" plywood coil structure, then place the 2nd piece of greased 3/4" x 15" x 15" wood over top of that and let dry overnight. Now remove 3/4" boards and paint the entire wood coil structure with a coat of epoxy or resin so, 1 -2 coats are best. Let dry and you are done.

Notice: No bare parts of the wood should be open to the weather that's why we coat them with epoxy or resin.



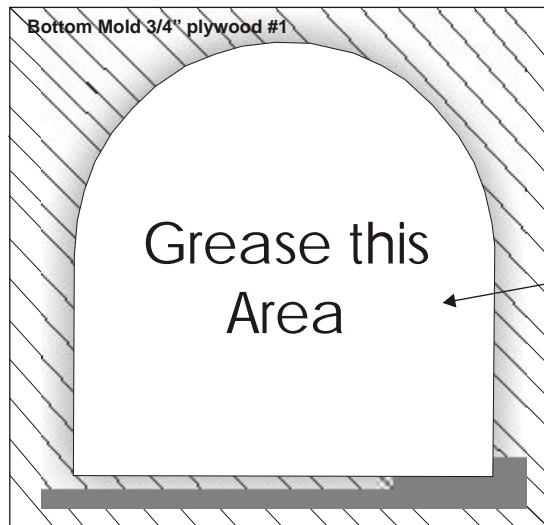
Part # 014 Center Generator Coils



The Generator coils

Step #1

Bottom Mold 3/4" plywood #1

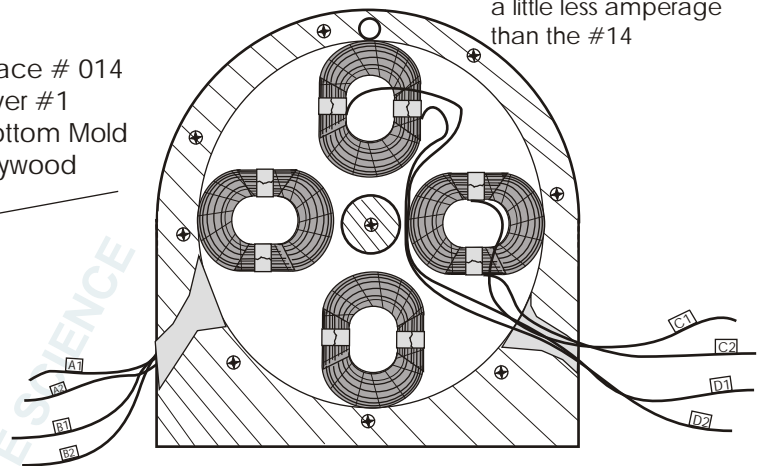


You will need QTY-2 of these boards

FRONT VIEW

Part #014

Place # 014
over #1
Bottom Mold
plywood

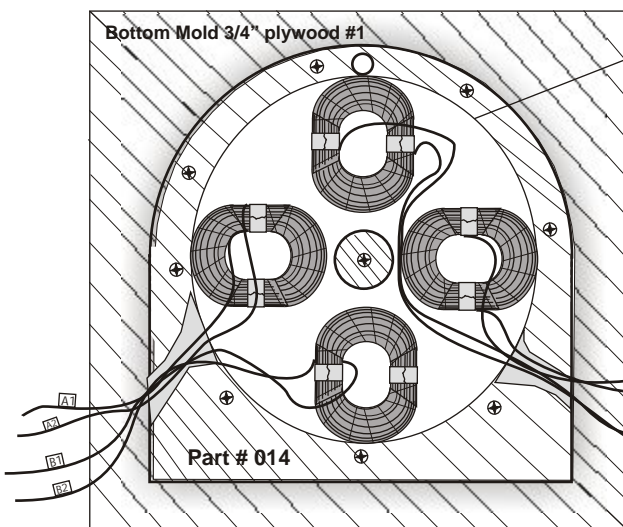


Part # 014 Center Generator Coils

#14 or #16 copper coated wire spool
Using # 16 wire will get you a higher voltage output but a little less amperage than the #14

FRONT VIEW

Step #2



Lay the Bottom mold 3/4" plywood #1 down flat on a table, then grease the area shown, then lay part #014 down flat on top of the 3/4 plywood mold. Then place the coils in as shown. attach part # 014 to the bottom 3/4" plywood using wood screws. Mix and pour in epoxy or other, fill to the top and then place the other top 3/4" plywood mold on top of that and let dry and cure overnight. Remove top and bottom 3/4" plywood when dry.

Step #3

Mix and pour 2 part epoxy or fiberglass resin inside coils wire area. 2 part epoxy is best. Let dry overnight and double coat the outside also, including wood.

Other options as filler:

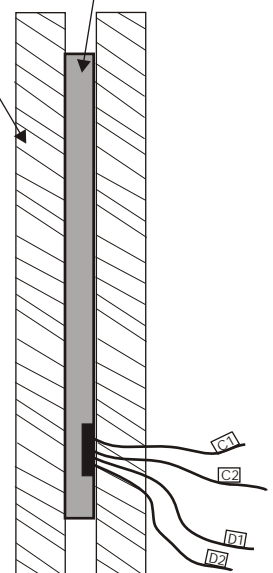
1. Auto body puddy.

2. Silicone Sealer 100%

Use clear Silicone 2 in a caulking gun. Apply in layers, let each layer dry about 5 to 6 hours, poke tooth pick holes into the layers on the 4 th or 6th hour so air can get in and cure dry the soft pockets. Let dry in a hot dry area outside. Once you have all layers filled in let dry for 2 to 3 days. Use tooth pick test to make sure there are no soft spots.

SIDE VIEW

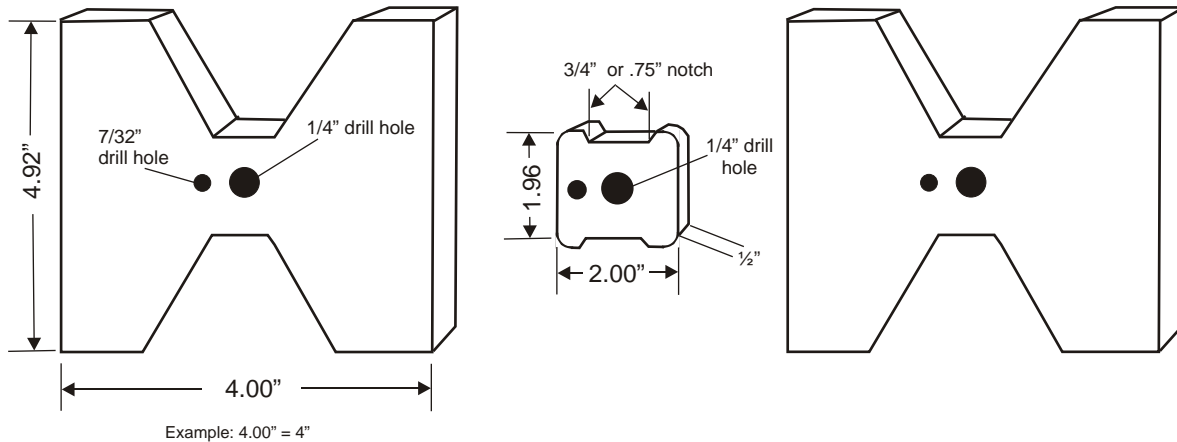
Step #4 Coils
3/4" boards



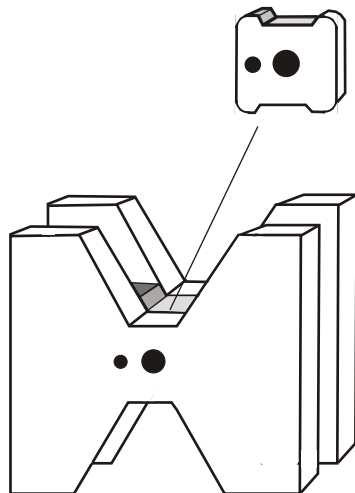


The Generator coil bobbin jig

This is a copper coil wire bobbin jig, you will be making your #14 or #16 coils with this. Cut the jig out using smooth 1/2" plywood, then sand down all parts using very fine sand paper. Drill your holes as shown and assemble the 3 parts as shown. place your holding bolts in the holes and place nuts on the bolts. One bolt is a long bolt, it should be about 1/4" x 6" long, the other is a short 7/32" nut & bolt. Wind about 100 turns if wire around the bobbin. Once you are done you will need to use black tap or masking tap and tape the center wires at V areas. Then remove nuts and bolts and then remove coil. You want to make the coil wire fit tight together, so you can tape them the rest of the way or best to use small #27 copper coated wire wrap tightly all around coil. Once you have finished you can continue to make the rest of the coils. Make sure you wind all the coils in the same direction and mark the bottom of the coils on the tape as bottom. The bottom is were you first started your wind. Which your beginning wire will be hanging out of. This is the bottom. Place all coils bottom side down in mold.

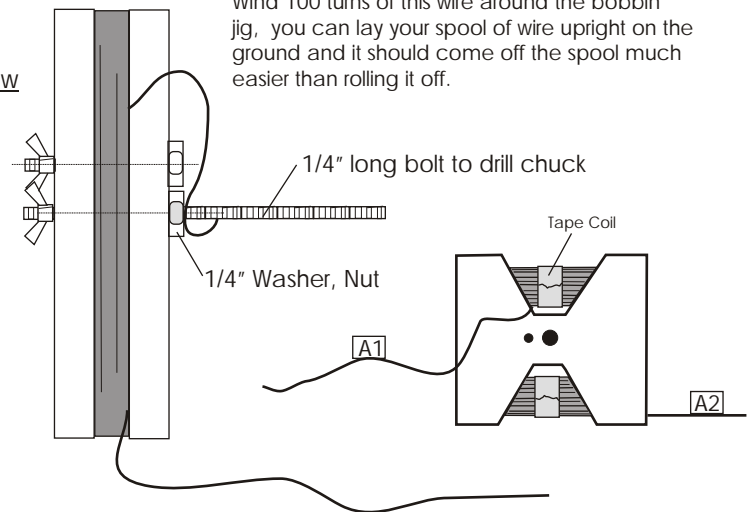


You will need a 6 to 10 lb spool of #14 or #16 copper coated magnet wire. You can but magnet wire on the internet search for "Magnet Wire" or see: **MWS Industries** 1-800- 423-5097 www.mwswire.com



Wind 100 turns of this wire around the bobbin jig, you can lay your spool of wire upright on the ground and it should come off the spool much easier than rolling it off.

Side View

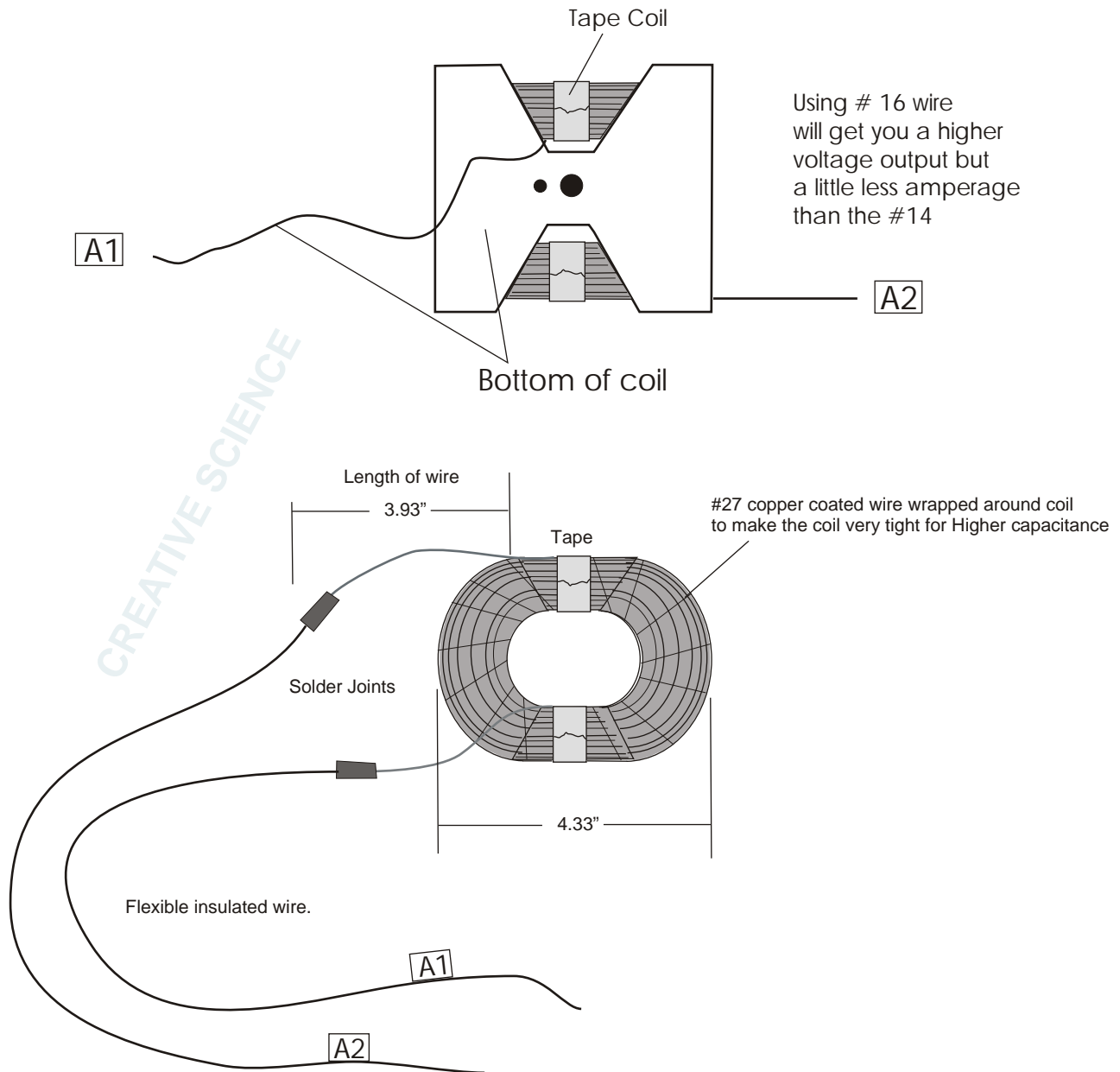


Stack the 3 pieces like this bolt into place. Use a 1/4" long bolt for the center. This will fit into the drill press chuck. You can then wind the coil by turn the chuck or belt pulley by hand or use a D.C. 90 v motor than will turn at 20 - 100 rpms using a controller. See Graingers.com



The Generator coil / bobbin jig

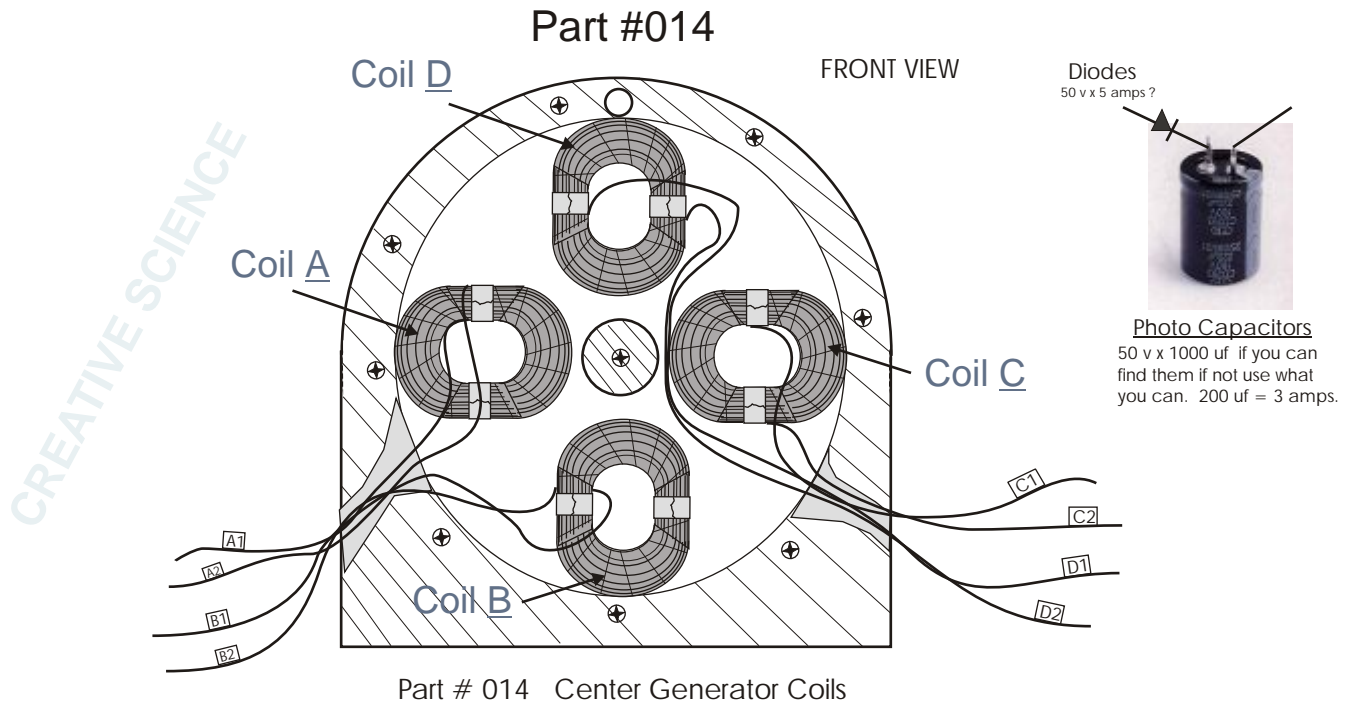
Mark and tag each coil as so: A1 A2, etc... B1 B2. Solder long flexible wire to the leads. A1 & A2. Also: See our Sp500 Generator plans for only \$70 order #SP500 our new Low RPM generator is 10 times better in power output and easy to understand and make. We are looking for a manufacturer to manufacture & sell our **new discovery!** This new **Star Wars Technology!**



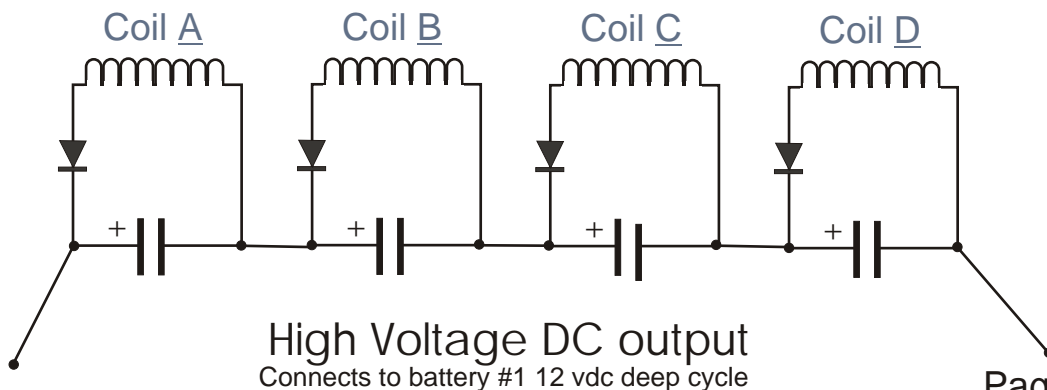


If you want to add more coils you will need to make the coils longer and more narrow. So they will all fit together inside of the wood mold part #014. There are many ways in which you can hook these up. Direct, 3 phase, or in series.

Put together the entire generator assembly and magnet disks first and hook up the coils and test them. Use the method you think is best for you, which can depend on if your in a high wind area or low wind area. If you live in a low wind area you will need our Sp500 Generator plans. It is far better and is superior in design and is **SUPER high efficient!** Our Sp500 works very well in low and high winds! We designed the Sp500 over 1 year ago and have kept it classified until now! Order# Sp500 plans - cost \$70



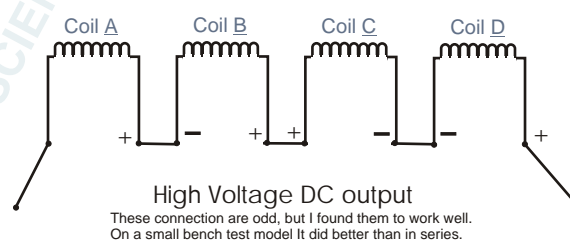
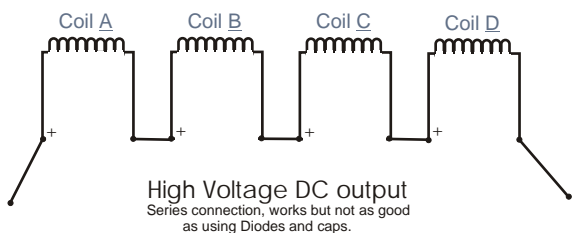
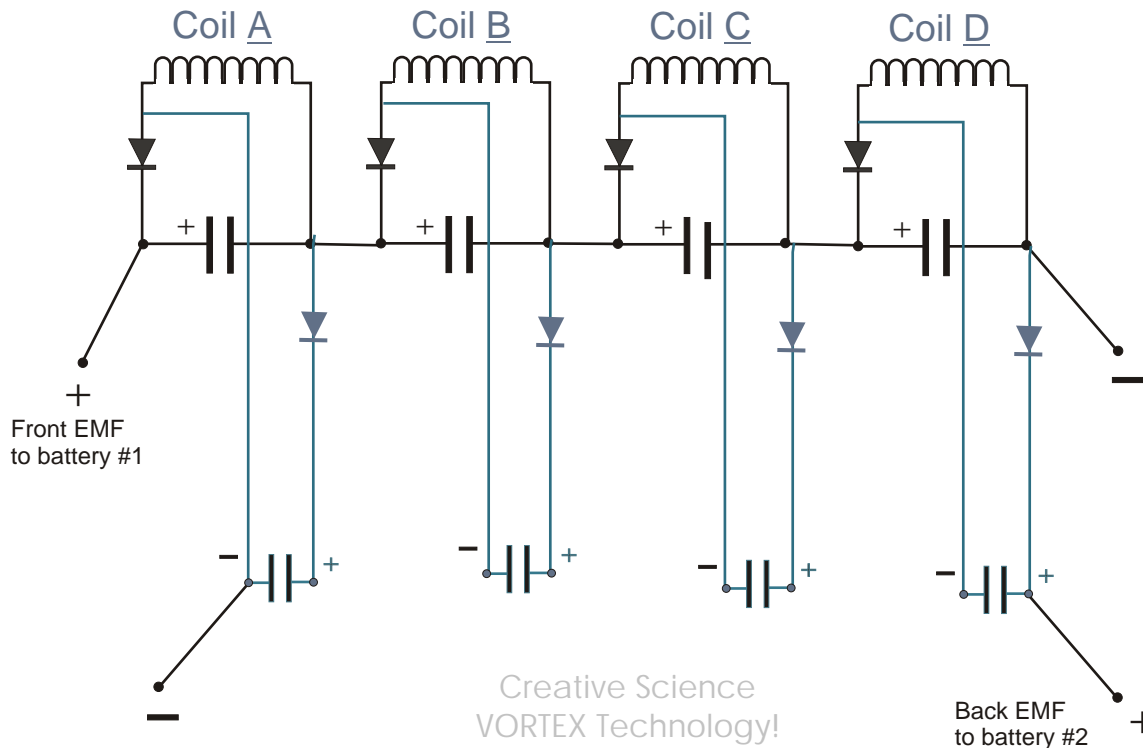
Option One Connecting the coils: In this option we use our Vortex Effect, (Patent Pending) we can not explain why it works because of Trade and Patent Secrets! But in this example we are driving the generator coils separate using diodes as a one way valve and 500 to 1000 uf photo capacitors! Photo capacitors are very high efficient! Each coil charges it's own capacitor, the capacitors are then connected in series to multiply the voltage even higher. In this example we are only collecting the front EMF.





Front Emf and Back Emf Collection

You can purchase Capacitors & Diodes at any Radio Shack store or from off the internet, search for Electronic parts and supplies or search for capacitors and diodes

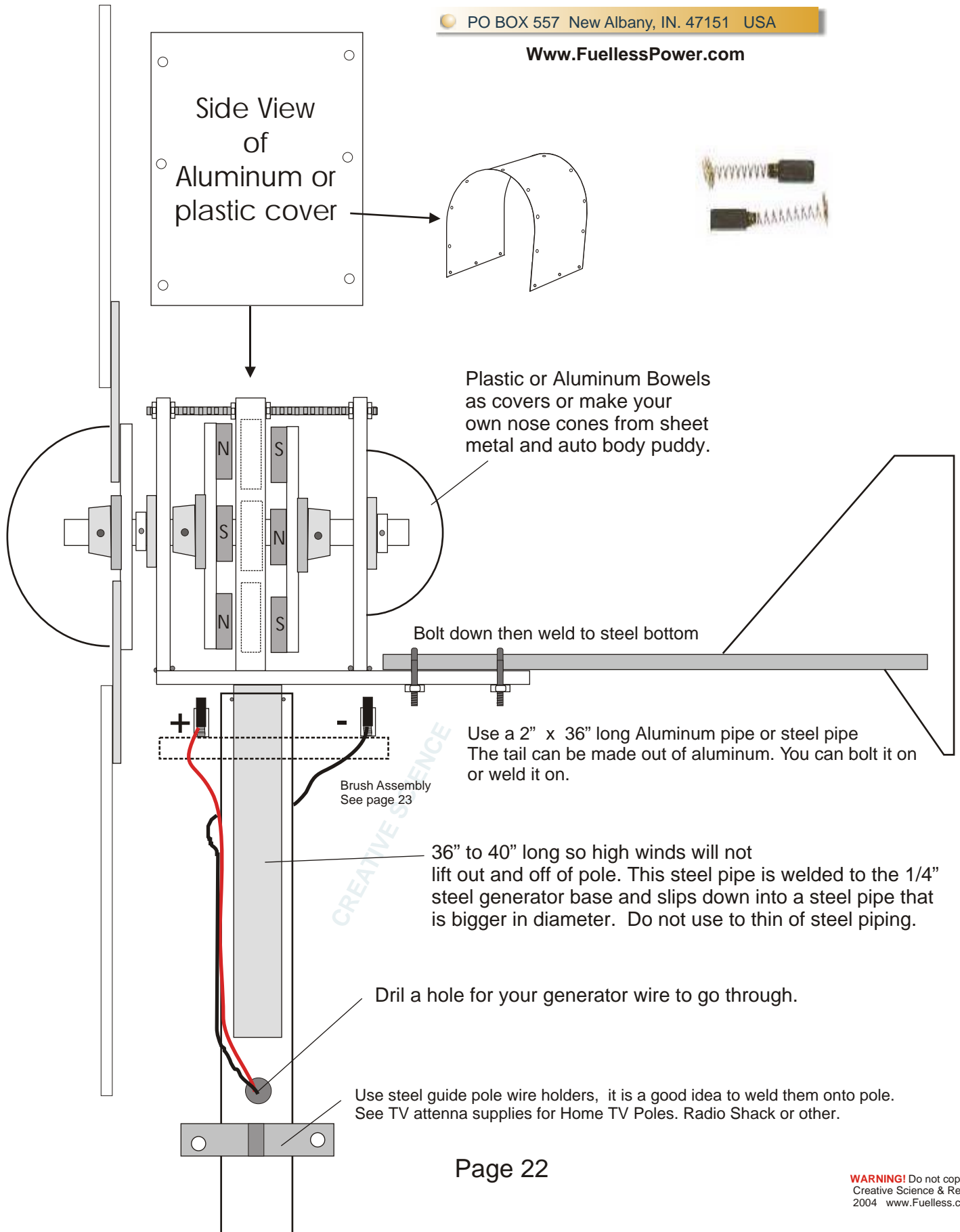


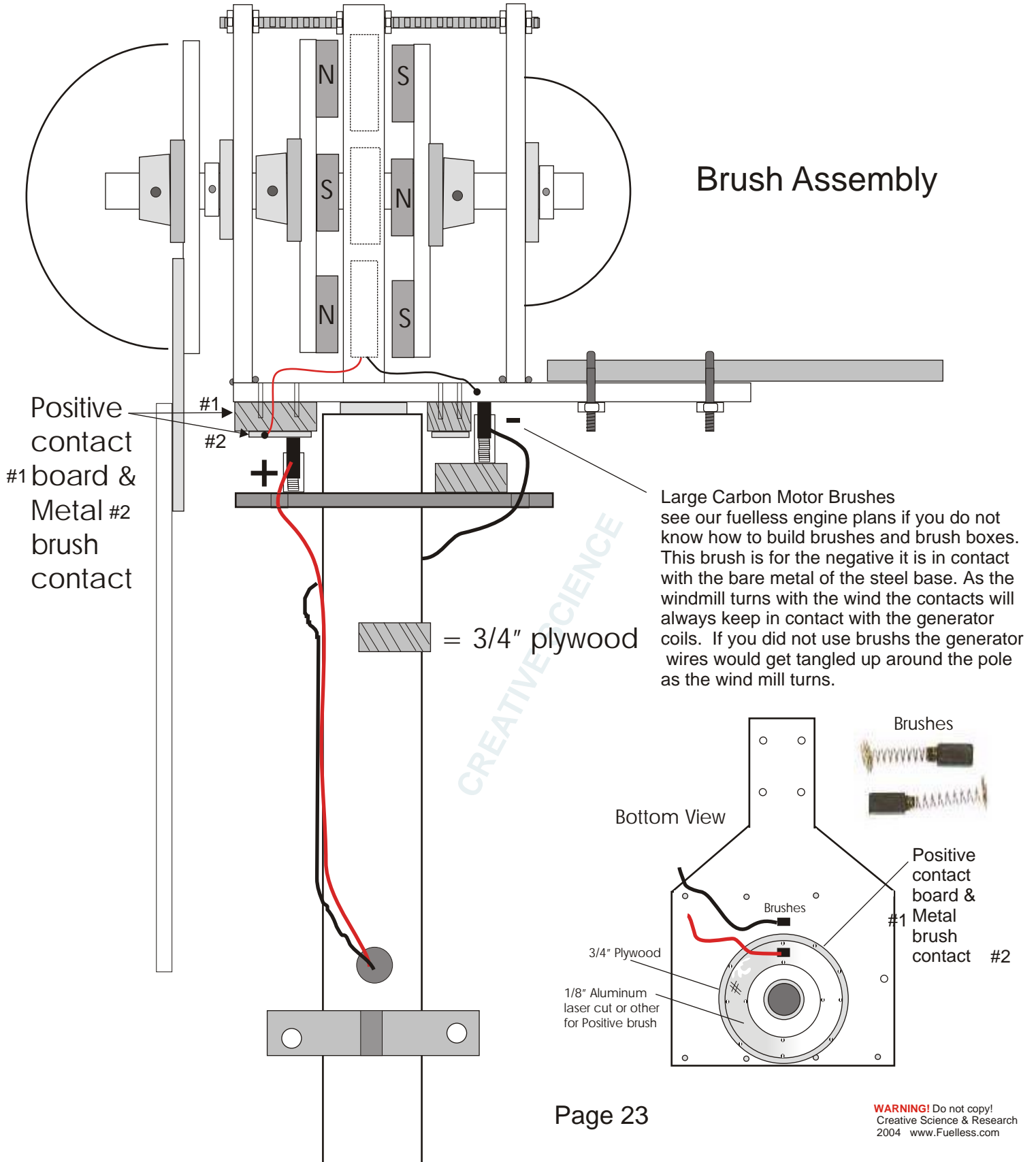
Test everything thing before you install the entire assembly onto a 20 to 30 foot pool. Do wind tests, Generator tests etc... Make sure everything is working right. Make sure all steel and wood parts are painted and or double coated with epoxy to withstand the weather. You may also want to keep in mind to keep out birds and insects, use clear caulking for all small cracks and aluminum screen mesh for larger areas and bottom air holes of



PO BOX 557 New Albany, IN. 47151 USA

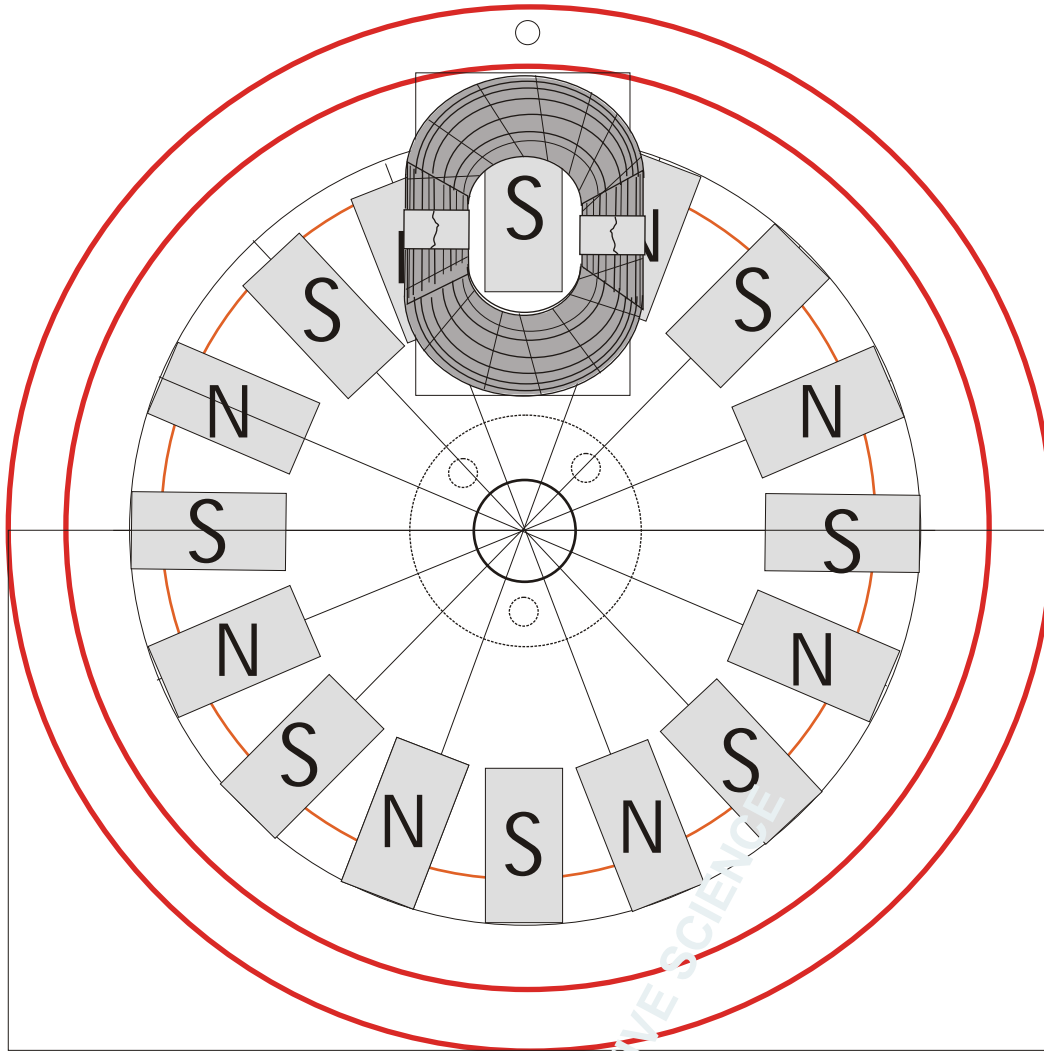
www.FuellessPower.com







This is a rough over lay to help give you an idea of how the magnets line up with the coils etc..



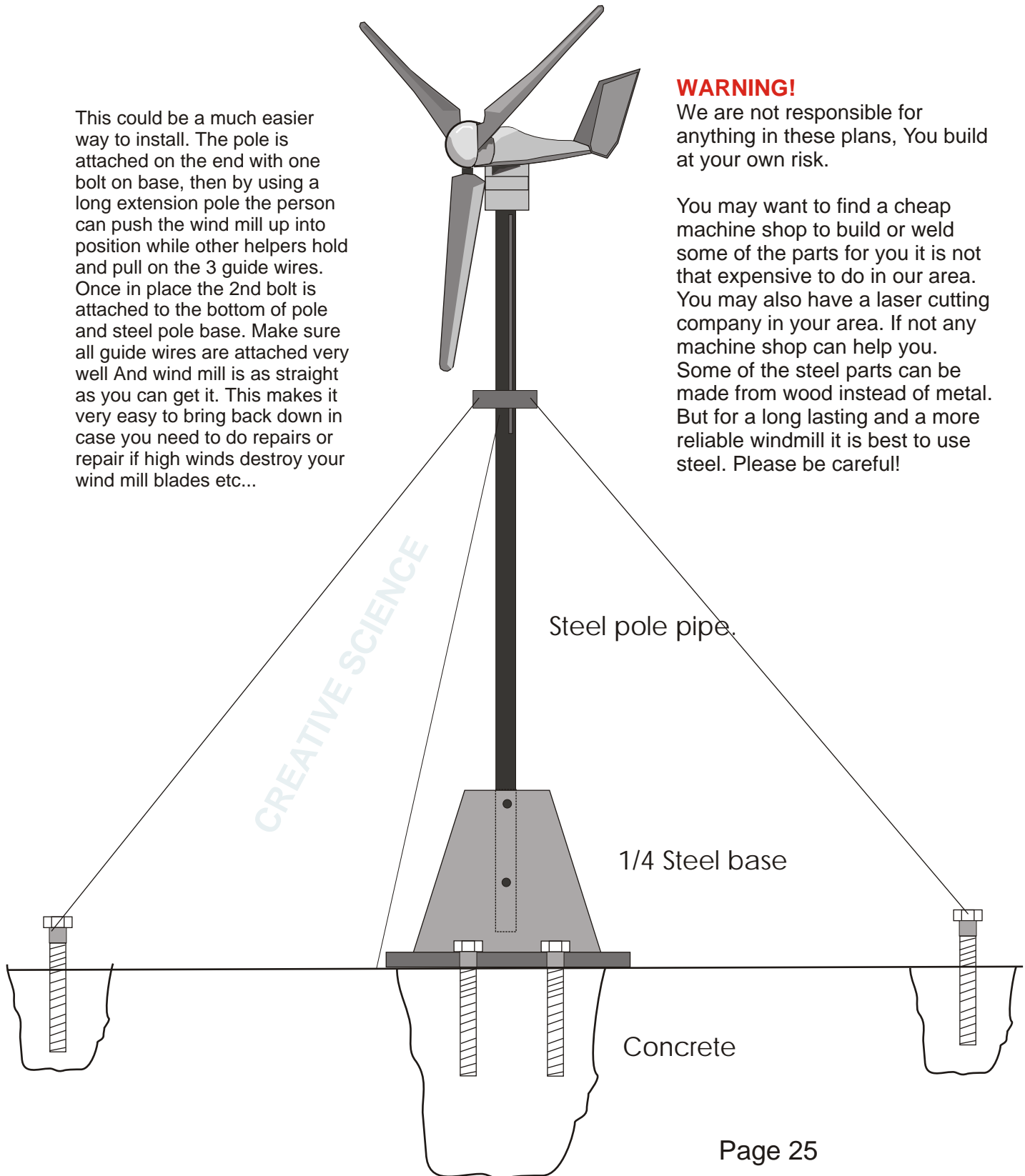


This could be a much easier way to install. The pole is attached on the end with one bolt on base, then by using a long extension pole the person can push the wind mill up into position while other helpers hold and pull on the 3 guide wires. Once in place the 2nd bolt is attached to the bottom of pole and steel pole base. Make sure all guide wires are attached very well And wind mill is as straight as you can get it. This makes it very easy to bring back down in case you need to do repairs or repair if high winds destroy your wind mill blades etc...

WARNING!

We are not responsible for anything in these plans, You build at your own risk.

You may want to find a cheap machine shop to build or weld some of the parts for you it is not that expensive to do in our area. You may also have a laser cutting company in your area. If not any machine shop can help you. Some of the steel parts can be made from wood instead of metal. But for a long lasting and a more reliable windmill it is best to use steel. Please be careful!





Creative SCIENCE

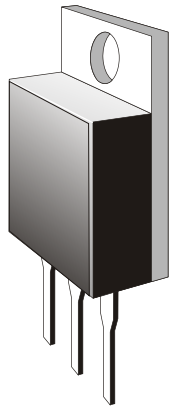
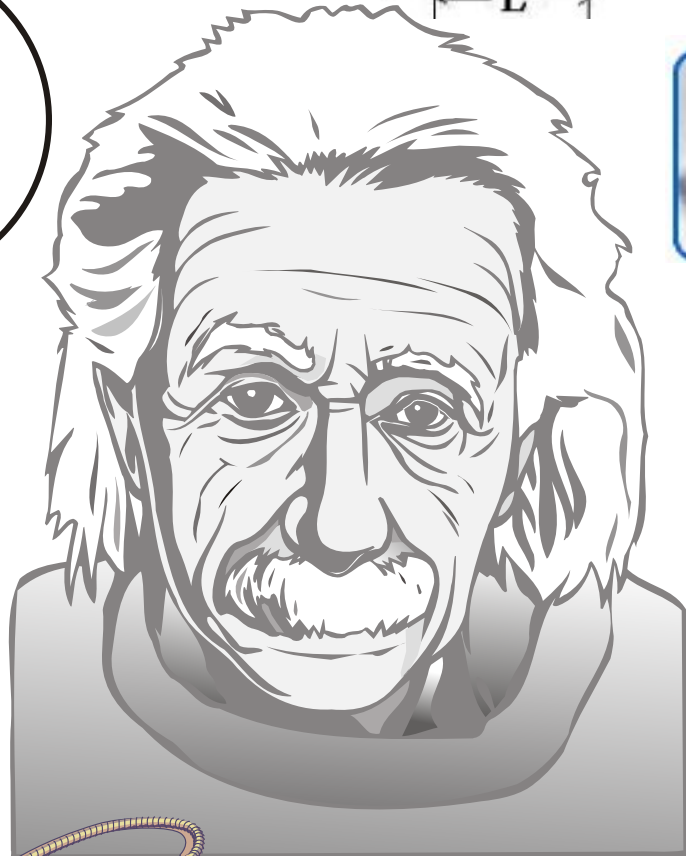
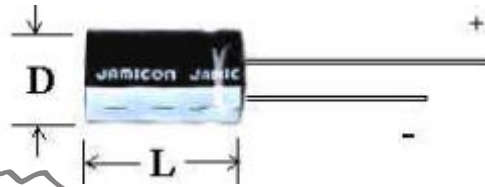
& Research

Copyright 2002 - 2004 Creative Science & Research

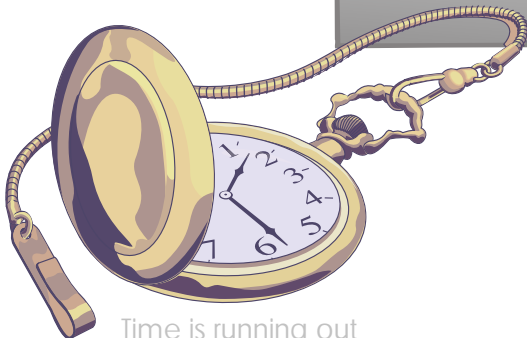


● PO BOX 557 New Albany, IN. 47151 USA

Information Big Brother & the Oil Companies do not want you to know!



2004



Time is running out

Search for:

www.fuellesspower.com

Copyright 2002 - 2004 Creative Science & Research