



High Voltage Diodes

Voltage Multipliers

Time is running out

2004

www.FuellessPower.com



HV Diodes

Diodes are basically one way electrical valves, They only permit common electrical voltage and current to travel one way. They are used in Charging systems, to charge batteries, car batteries, marine batteries etc...They are used in Radios, TV's, VCR's etc... We use them in our Fuelless Engine designs for our capacitors as well as our Free Energy From the earth devices. Another common energy use for diodes are solar cells or solar panels. Without the use of a diode from the positive leg of a solar cell to the positive terminal of a 12 volt car or marine battery there would be no collected stored charge. Diodes come in many sizes shapes and voltage / current ratings. Diodes can change AC to DC, Therefore by placing a diode or diodes on 120 vac house current you turn it into 120 vdc. And if the diode is rated for 2 amps max, then that is all the diode will take before burning up (If your DC load is over 2 amps such as a motor).

When selecting a diode or diode bank, you first start by calculation the maximum current and voltage that you will be using it for. For example: If you are going to be using a diode to charge an electrolytic capacitor and the capacitor is rated at 200 uf (which will equal about 2.5 to 3 amps of power draw), then the Diode must be rated at 6 amps. This gives the Diode plenty of room in case of large back emf surges (if used in a coil circuit). Depending on what you are using the diode for also depends on how high to go on your rating, For example if you are going to use multiable diodes for a high voltage multiplier and you are using 120 vac house current as your input and you are going to be using 200 uf capacitors rated at 300 to 360 v, your diodes must be higher than normal because multipliers can run a bit rough and can easily burn out your diodes starting with the first one in line (I know from experience! A fire can result!). So that being the case your diode must be rated 600 v max x 6 amps.

2000 volt diode bank

High Voltage Diodes can some times be hard to find. Lets say you need a 2000 v diode but all you have in stock is 500 volt, what are you going to do? The answer is very simple you simply connect 4 - 500 v diodes in series just like batteries and you get an instant 2000 v diode bank. If all of this seems to be way over your head I would like to suggest a very good beginners book in electronics that you can buy at any Radio Shack store called "Getting Started in Electronics by Forrest M. Mims " It will teach you the basics of soldering and explain what a diode is. Cat. No. 276-5003A. You maybe also able to find it for sell on the web. It will teach you basic electronics very quickly!



Diode



Diode Symbol



A High Voltage High Amp
Diode



WARNING!

We are not responsible for anything in these plans! YOU BUILD AT YOUR OWN RISK! FOR RESEARCH PURPOSES ONLY

HIGH VOLTAGE CAN KILL! USE RUBBER GLOVES WHEN WORKING WITH ANY HIGH VOLTAGE AND ACID BATTERIES.

**Just because it is your project don't assume anything, be safe!
it only takes one mistake and your DEAD!**

I'll say it again!

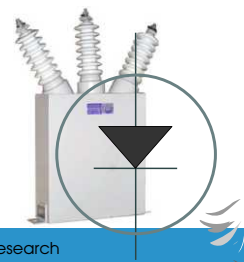
ONE MISTAKE AND YOUR DEAD! USE RUBBER GLOVES!

USE HIGH VOLTAGE WARNING SIGNS!

Place these signs at every entrance of your project area!

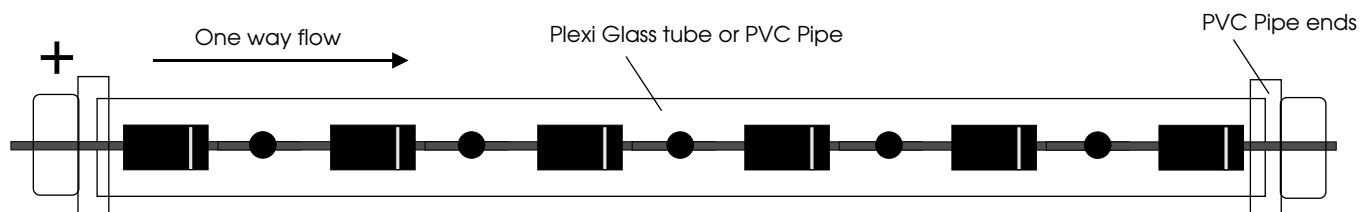


**KEEP OUT OF THE REACH OF CHILDREN AND ADULTS.
COVER ALL BATTERY TERMINALS WITH RUBBER OR ANY
OTHER NON CONDUCTIVE MATERIAL. MISTAKES CAN HAPPEN.
PLEASE BE CAREFUL!**



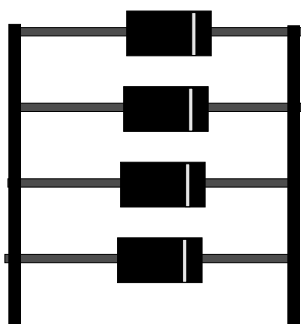
6000 volt Diode bank

Again very simple, use 6 - 1000 volt x 2 amp diodes connected in series. Make sure all connections are well soldered or diode bank could cause damage or injury to yourself. Using clear 1" Diameter plexi glass tubing makes for a great looking outer case, you can use PVC pipe ends for the ends of the tubes, let the leads hang out of both ends of the tube and glue in place with silicone type 2 100% clear (caulking gun type) you can also use PVC glue to glue the PVC ends to the plexi. If you do not want your diodes moving about inside of your plexi glass or PVC tubing, you can use a 2 part epoxy to completely fill the entire tub, do not use silicon to do this as it would take a year to completely harden all the way through and could be a fire hazard.



How to increase amperage rating for a 1000 volt Diode

This is also very simple, it can be done with any size diode(s), by simply connecting a 1000 volt diode in parallel to another to increase amperage rating by 2. It's like connecting batteries in parallel. The more you connect the more the diode rating bank goes up. Lets say you have a 16,000 volt diode that you have taken out of an old microwave oven or one you have bought from a internet supplier. I think these type are rated at about 250 ma, connect 4 of the in parallel and you have a 16,000 volt x 1 amp diode bank, great for many High Voltage projects which need high volts as well as high amps.



Parallel connection



10kv x 1amp Large Microwave Diode!

About High Voltage Diodes



Again High voltage diodes allow current to flow in only one direction only. They are specifically fused for high voltage applications. Some common high voltage diodes include general purpose, Schottky, PIN diodes, and rectifiers there are many sizes available.

In their simplest form, Schottky high voltage diodes consist of a metal layer, which contacts a semiconductor element. The metal / semiconductor junctions exhibit rectifying behavior (i.e., the current passes through the structure more readily with one polarity than the other).

Unfortunately, the fabrication of conventional metal / semiconductor structures often results in chemical damage at the interface between the two layers. This leads to poor performance. More recently, researchers have found that conductive polymer structures can be utilized to replace the metal layer, thereby yielding more ideal one way diode device.

PIN diodes are three-layer semiconductor diode consisting of an intrinsic layer separating heavily doped P and N layers. The charge stored in the intrinsic layer in conjunction with other diode parameters determines the resistance of the diode at RF and microwave frequencies. This resistance typically ranges from kilohms to less than 1 ohm for a given diode. PIN high voltage diodes are typically used as switches or attenuator elements.

Rectifiers are electronic high voltage diodes, which allow current to flow in only one direction. Essentially, they act as one-way valves, and are used to convert AC current to DC current.

The performance of high voltage diodes is determined by a number of voltage, current and time coefficients:

V_{RRM} : Maximum Reverse Voltage, which is the maximum reverse voltage of the diode.



V_F : Forward Voltage, which is the voltage across the diode terminals resulting from the flow of current in the forward direction.

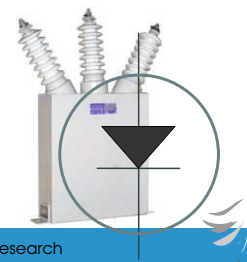
I_R : Reverse Current flows when reverse bias is applied to a semiconductor junction.

t_{rr} : Reverse Recovery Time is the time required for the current to reach a specified reverse current (I_R) after instantaneous switching from a specified forward condition (I_F).

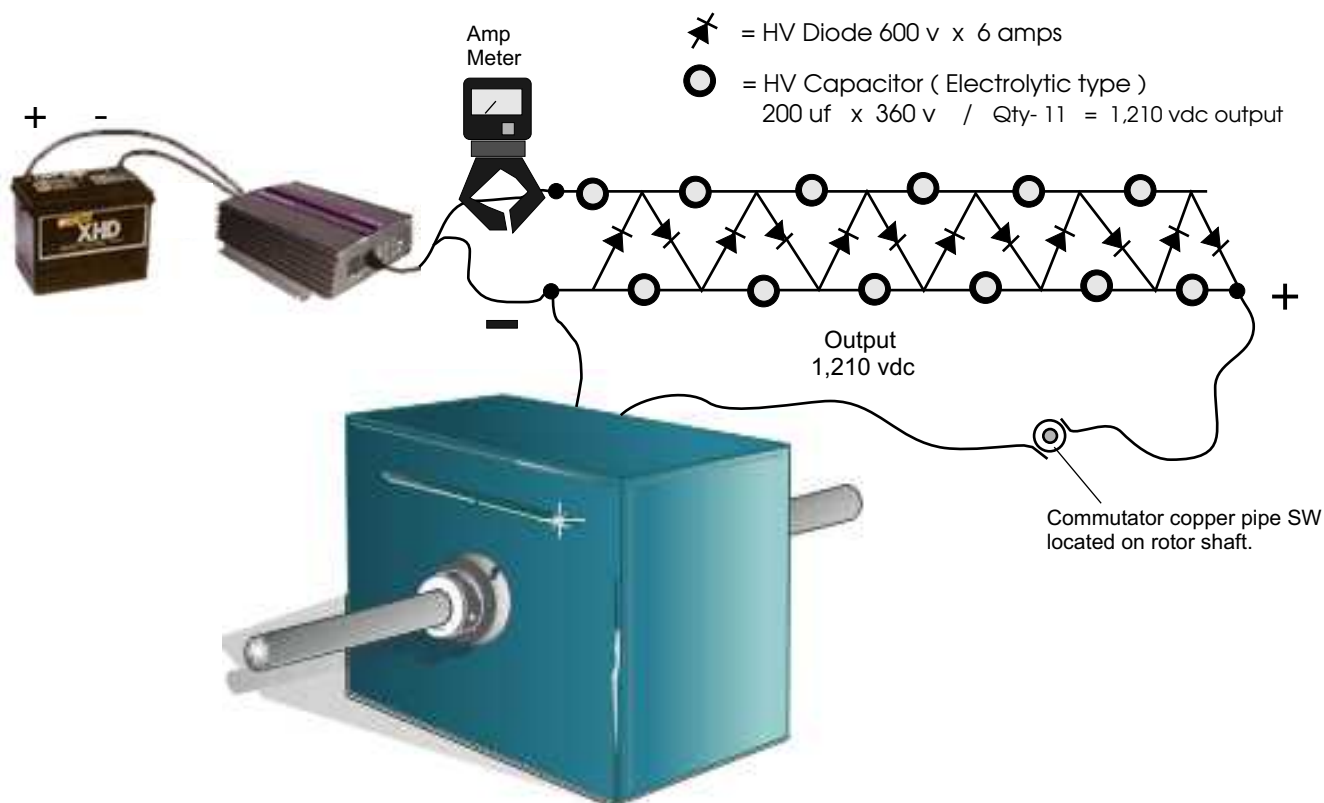
I_F : Forward Current is the current flowing through the diode in the direction of lower resistance.

T_j : Junction Operating Temperature is the range of temperatures in which the high voltage diodes are designed to operate.





Voltage Multipliers



We have built many size Motors, for example: one of electric motors is rated at 1 hp x 20 ma

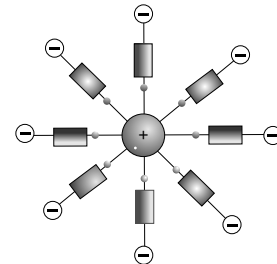
Input to voltage multiplier is 110 vac to 115 vac from a 75 watt power inverter, inverter changes 12 vdc to 110 vac, ac is then applied to the input of diode / cap multiplier, the diode cap multiplier then multiplies the voltage to 1,210 vdc current, the current is then applied to the Fuelless Engine or a high efficiency 90% or 100% electric motor. The amperage draw of the motor can not exceed more than 2 amps with the above multiplier, if you wish to gain a higher amperage value then you must use diodes rated for more amps, and capacitors rated at higher uf's. Example: if you wish to double the amperage output use, use 400 uf x 360 volts caps, and 12 amp x 600 v diodes. Keep in mind that the above multiplier will KILL YOU in a split second if you touch the terminals after it is charged! Use Rubber gloves, rubber long sleeve jacket, rubber shoes. Always use one hand, HV rule!

Incase the multiplier in a safe plastic case. One Mistake and you are dead! You build at your own risk, we are not responsible for anything in these plans.



Free Energy using Carbon rod, as well as special Molded Soft Iron Ductal Cores

NEW!



FREE ENERGY FROM THE EARTH

Free Energy from the earth has been around since the 1800's, but no one has been able to do what we have discovered. Patents from researchers since the 1800's concerning free energy from the earth have been weak, not enough power in a small area and the cost was too great! We have found that the earth is loaded with electricity! The earth's core is radioactive, this radioactivity generates heat and produces motion through it in the form of convection currents.

There are many secrets which we are going to share in these plans. We have found this new discovery to be one of the most fascinating projects we have ever worked on, and used with Rick's new step up transformer technology makes this an even more powerful source of free energy than anyone has ever seen!

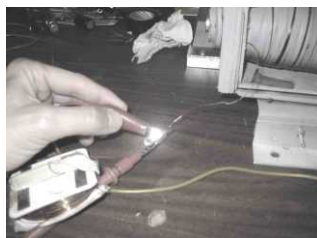
See Our Web Site for more details: www.Fuellesspower.com

115 Volts AC or DC

From the power of the earth!



Plans \$29.95 # 459P GUARANTEED TO WORK OR YOUR MONEY BACK!



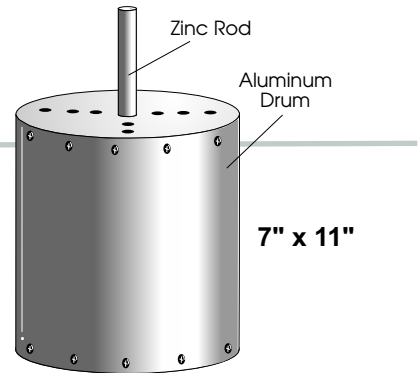
Fax us your order at: 1-812-945-5839



Creative Science & Research PO BOX 557 New Albany, IN. 47151



the *Fuelless* HEATER



FREE HEAT FOR THE REST OF YOUR LIFE!
NO MORE HEATING BILLS! • SAFER THAN NATURAL GAS
NO FLAMES • NO GASES • RUNS VERY QUIET!
(When combined with a 10 hp fuelless Engine)

Converts any gas or electric furnace into a *FREE ENERGY HEATING SOURCE!* Which can lower your heating bills for your entire home to \$0 per month, The cost to run a fan blower to blow the heat around your home will be \$0 per month using our Fuel less Engine as a replacement motor for your furnace blower motor. This invention uses a Zinc rod and Motor Oil inside an aluminum outer casing. The Fuel less Heater has many US Patents to back it up.

Your existing thermostat will all stay the same! The only thing that will be replaced is the old heating source, everything else will stay the same. The heat can then be controlled by using your old thermostat. Your thermostat will turn the unit on and off as needed or you can use the Fuel less Heater as a room to room space heater.

We suggest that you build a small space heater unit first. The larger the unit you build the more BTU's you will get. Drawing shows the main heating unit, a small 1 hp free energy motor is added, and is used to blow the **Hot Air** around a room or furnace air duct system etc.. The 1 hp free energy motor is our Fuel less Engine model.

HOW IT WORKS: To start we use a 7" x 11" metal drum, (Which is the outer drum) Then Motor oil is poured into the inner can, It does not use oil, it only uses the atomic atoms from the oil which is very safe to use. The oil is only added one time for the life of the unit! Then a zinc rod is placed in the center of the inner drum, in return, a safe atomic reaction takes place which creates a strong chain reaction within the atoms of the oil creating an enormous amount of heat.

Plans are well illustrated and professionally done.



Temp.
up to- 400 °F
200,000 BTU
See our plans

PLANS\$40.00
878P

Plans & Video.....\$49.95
878PV



PERMANENT MAGNET MOTORS!

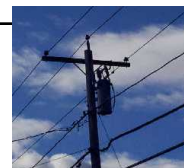
Free energy using Radio Shack ceramic bar magnets. I will show you how to build 2 simple motors that will actually move by the free power of magnets. You will learn the correct way to angle the rotor and stator magnets. The plans will explain why and how they work. The horse power will depend on how strong your magnets are. These plans are for research purposes only. I have spent many nights awake learning how to use these magnets, many hours of research have gone into these 2 simple designs.

" David Waggoner "

" FOR EXPERIMENTAL RESEARCH ONLY "

Plans Only \$14.95 order # 376

FREE ELECTRICITY from the PHONE CO.



David Waggoner has invented a way to pull enough electricity from the phone company to light a 150 watt light bulb, and it's all legal! He has developed a way to charge batteries and still use your telephone without any problems.

You can use this free electricity to run lights, motors Radios, etc...

A Very special Design. **Dave's device is easy to build**, Only **Dave's** special circuit design will give you the best results!

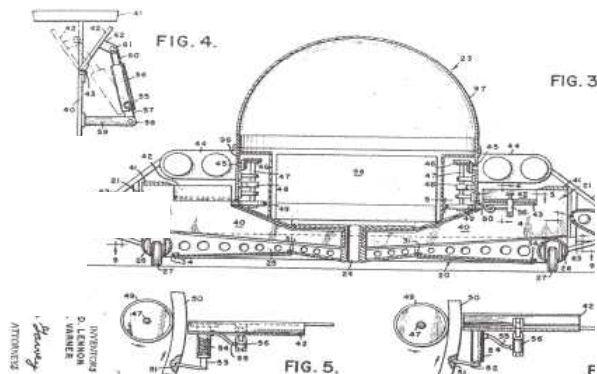
Plans only \$9.95 Order # 359

Anti-Gravity Aircraft (Fact!)

Rick was concerned about offering this US Patent, he was not sure how customers would react! But this Patent is proof that they are real and do exist! We are offering just one of many US Patents hidden to the world! This official US patent will show you that the United States has indeed known about them for many years. An OFFICIAL US PATENT, dated April 1967.

Actual drawings and plans of a USA man made **UFO flying saucer**.

US Patent only **\$9.95** #409



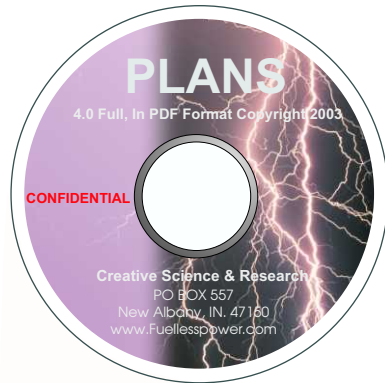
FILED Oct. 12, 1967

All Our Plans are Now on CD!

FREE ENERGY MOTORS & GENERATORS

*** CONFIDENTIAL INFORMATION!**

For Selected Customers Only!



As requested by many of our customers!

*** Information The Oil Companies and Big Brother Do Not Want You To Know!**

We are now offering our entire web site and catalog of Free Energy Plans for only **\$300**

You save over \$200 (a \$500.00 value)
Order # CD Package # 1

*** LOADED with information! Packed full of color photo's, More information! etc....**

Plans are sent to you on a CD Computer Disk, which you can then view or print from your computer.

PDF format for Adobe Reader Computer Program. If you do not have Adobe Reader 4.0 It is FREE for downloading at www.adobe.com

*** Please add \$3.95 for US Priority Shipping which includes online tracking**

*** Guaranteed To Work Or Your Money Back!**

**Other CD Packages Available: See our web site order form, Bottom page
www.FuellessPower.com**

Please Send a Check or Money Order To:

Creative Science & Research
PO BOX 557 New Albany, IN. 47151 USA

www.fuellesspower.com or www.fuelless.com

NOTICE: Most of our plans can are now available by E-mail Download



Creative SCIENCE

& Research

E-mail: Sales@fuellesspower.com

PO BOX 557 New Albany, IN. 47151 USA

www.FuellessPower.com

All our plans are now available on CD in .PDF format. See our web site Order form
At: www.Fuellesspower.com/orderbak1.htm

CD package #1 \$300 includes all 32 plans from our web site, you save \$200 / in PDF Adobe



ORDER FORM



Name _____

Address _____ City _____

State _____ Zip _____

* E-mail _____ Country _____

Credit Card # _____ Expiration Date: _____
Month Year

Credit Card Type: _____ ID Number last 3 digits _____
Visa, Master Card Located on the back of your card

We except: Credit card, personal Check, Cash or money orders only.

Order Number	Qty	Item Description	Price Each	Total
1				
2				
3				
4				
5				
6				
7				
8				
9				
10				
11				
Shipping charges Up to \$25\$3.95 \$25.01 to \$75.....\$5.75 \$75.01 to \$100.....\$6.95 \$100.01 to \$200.....\$7.95 \$200.01 to \$300.....\$8.95 \$300.01 to \$400.....\$FREE			MERCHANDISE TOTAL	
			Shipping charges	
			TOTAL AMOUNT	

Guaranteed to work or your money back! Personal check, Cash or Money Order. Orders outside the USA please add \$3.95 plus Shipping. **Credit card orders please E-mail us or Fax us at: 812-945-5839**
Paper plans or PDF down loadable.



Creative SCIENCE

& Research

Copyright 2002 - 2004 Creative Science & Research

● PO BOX 557 New Albany, IN. 47151 USA



Search the web for
High watt Xenon tubes
or HV Diodes.

Type what key words you
are looking in a search
engine search box, a search
engine is web search site such
as www.google.com, Aol.com
Yahoo.com etc....

We have included this because
there are many people who do
not know how to search the web
believe it or not.

Xenon strobe tubes can also be used as HV Diodes!



600 volt x 40 amp HV diodes connected in series. Www.Allelectronics.com

