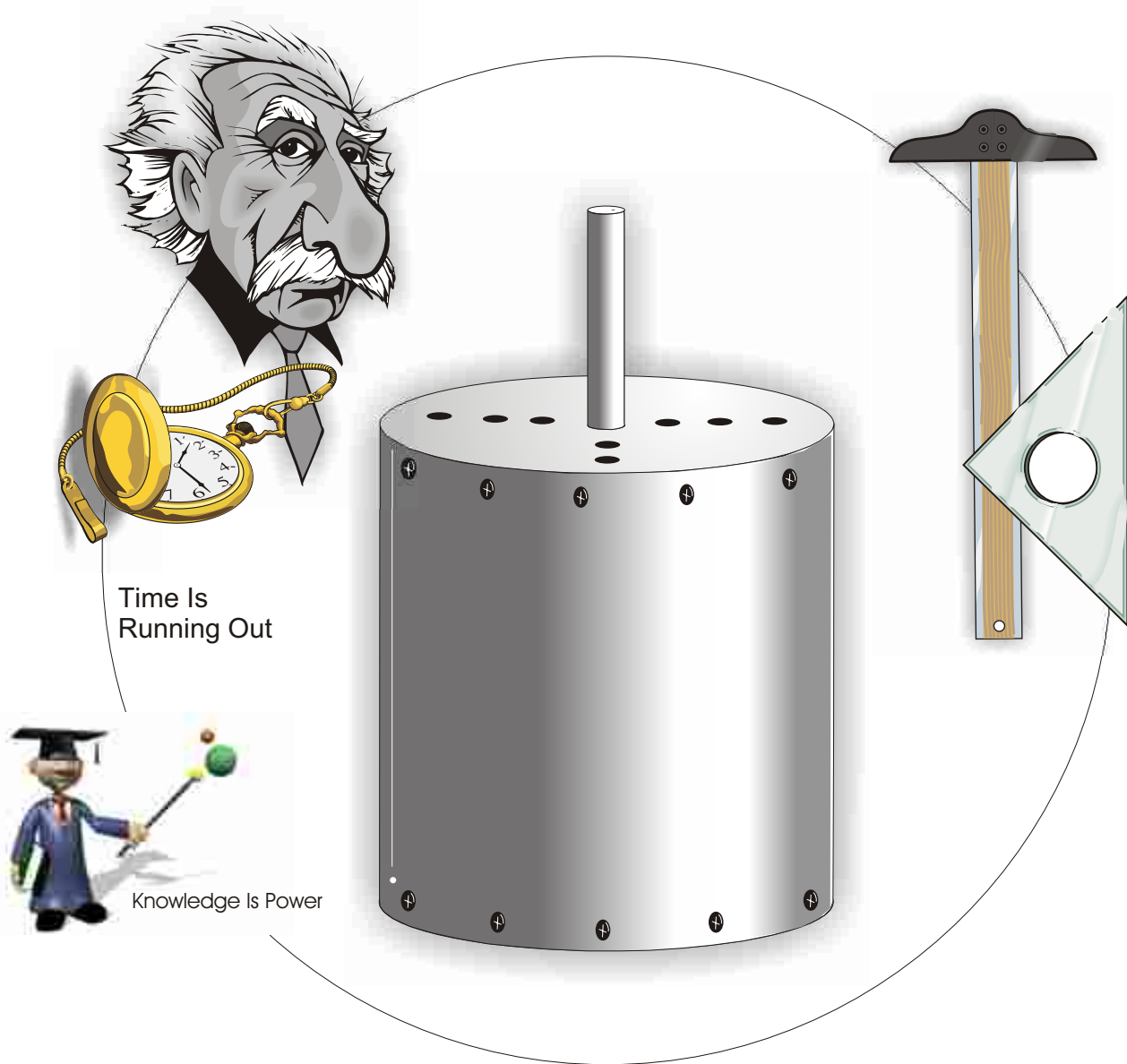


The FUELLESS HEATER

Copyright 2003 Creative Science ©
By The Unknown Author



Time Is Running Out

Knowledge Is Power

Rick Discovered this information just 3 months ago while cleaning his office. It was sent in by an unknown customer about 2 years ago. The claim was so fantastic that it was hard to believe! It was then carefully constructed and tested, after testing the device he made some improvements on it and thus sprang forth a New Free Energy Heating Device that was 90 to 100% efficient in our opinion. Every home can use this new heating device right now! It is the safest h0ome heating source known in the world. And can save thousands of dollars in heating bills. This device is a free energy device not a perpetual motion device, Free energy is being produced and used but the device must use our free energy motor to turn it.

Www.fuellesspower.com www.fuelless.com E-mail: Tesla@fuellesspower.com

The Fuelless Heater is a simple and relatively easy to construct device that is proven to work! Some critics claim that the heater defies basic laws of physics. With an efficiency of 100% and more. It is clear that the internal energy of the atom is being tapped. When you trap an atom and apply pressure in the form of friction - temp., interesting things start to happen. Pauli's exclusion principle tells us that two electrons are not allowed to do the same thing, to follow the same course and especially to get near one another. Each time that an electron is forced nearer another electron, the other one must move away, refusing to share an orbit. So each time that an electron is forced to change orbits or levels, One QUANTA or One PHOTON of light - HEAT ENERGY is giving off! Each electron changing levels forces a series of other electrons into the same fate, Like a small chain reaction.

Rotational, Excitational, Vibrational, electronic and other energies that we may not yet understand are each and all set off like ping pong balls in a room of self reloading mousetraps.

Every home furnace or space heater uses a electric fan motor to blow the heated air in and around the rooms or room. we are simply using this same motor to do another function. To turn the inside rotor drum that will in turn cause the atomic chain reaction in the liquid that is being used with in the inner part of the outer drum, reaction as stated above. A 5 amp solar panel can be used to run the blower fan motor, which will start the atomic reaction. (Safe to use) (Cold Fusion ?) It may be possible to use a very small electric fan motor, 12 vdc x 3 -5 amps and run it by solar energy and back up batteries. For fireplace and space heater use. The Resistance of the inner drum on the motor is very small. Over the years scientist have tried to invent a way to heat a home using solar electric panels, but failed, the energy it takes to heat a home is to much, it would cost a Solar Panel Customer over \$15,000 in solar panels to even come close. and is still not enough to do the job. This heater is the answer to all our heating problems.

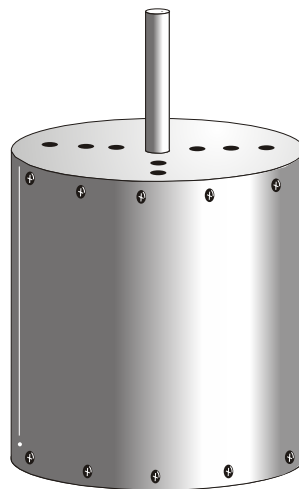
A fuelless Furnace that uses atomic friction instead of fuel to heat an average size home for only \$10 - \$15 per month, FREE if the home owner uses one solar panel to run fan blower motor. or a Free Energy electric motor! I heard of a man who built this Free Energy Heater out of a 10 year old washing machine, can you believe that? That's how simple this is to make. He had an old uninsulated home and it was costing him over \$230 to heat. His wife probably thought he was a nut! but once he built and tested it he hooked it up to a thermostat and bypassed it into his old Furnace and heated his home for just 50 cents per day. (True Story!)

You may want to choose to run your blower fan motor with the power from your power company just as you are now and reduce your heating bill to almost nothing. Your gas company may ask you what is going on? and thats another reason why I love this heater! Every year it seems like you hear that someone's house has blown up because of a natural gas leak problem. How many more have to die? It's crazy! I hope we can get the whole country using this heater and I am going to try my best to see that happen!

I have personally seen 2 houses in my live time blown to pieces. It's stupid to use gas now that you have these plans. If you don't know what you are doing then please get a heating and cooling company to help you. We can't tell how to take out your gas fixtures, you will need a gas man or professional to do that for you.

The bigger the unit is made the more BTU's and the faster the unit will heat. Purchasing these plans makes you a backyard researcher and I will tell you this, many units have been made that far exceed what I am telling you here. So much Free Overunity power that I am unable to talk about it. Build this fuelless heater for your home use, research and study it. Using this heater with our Fuelless Motor is a perfect combination for any home.

PLEASE NOTE: You BUILD at your OWN RISK! we are not responsible for anything. This information is for research purposes ONLY! In making your donation you have received this News Worthy information free for your own research purposes.



HOW IT WORKS!

There are several ways to build a simple working model. The rotor and the stationary parts have the same geometry. This may be a cone cylinder or a drum shape.

Start if you like with a small model using 2 tin cans. The one that fits inside the other should have about a 1/8" clearance all around it's sides. and a 1/4" space between the inside of both bottoms. You can use a hand drill or best to use a small work bench drill press. (You will need one anyway if you don't have one)

The drill press is used to rotate the inner can which will start the atomic reaction with in the thin oil that is in the bottom of the can. I built my tin can heater and it produced 92 degrees in just 12 minutes! That's pretty good for just a small tin can model. and the smoother the side of the cans are the better results I got. Most tin cans have ridges on the sides of them, This is what I used first. but not recommended Tin cans from the late 50's and 60's would be great to use! I spun the inner can at, 1700 rpms. This small demo is to prove to you that there is an atomic free energy reaction taking place inside the oil or water. be sure to make your tin can heater well. use high temp automotive silicon to attach parts. You can use the old lid to the outer can and glue it back in place with silicon glue. you will need to drill a hole in the center of the lid for the shaft to ride through.

Example of a tin can heater.

Zinc Rod or bolt
This is the shaft!

1/8" space

*Inner Drum =
Rotor. inner drum
turns.*

*Thin Oil or transmission
fluid.*

*OUTER CAN = Steel or
best to use is Aluminum
outer Stator does not turn.*

*Or Try an
aluminum can.*



*Pivot Mount= thin 1/8" hardboard
silicon glued to bottom of can.*

There is a friction response going on here, but it is not the type you maybe thinking of. It is of the atomic type. You maybe thinking that the friction from the rotor shaft riding on the bottom plate pivot hole is producing all of this great heat! **WRONG!** Once you have your first prototype built, first try it without oil or water of any kind, the results will be -0-. You will get nothing. Now try pouring in a small amount of thin oil on the bottom and turning it again. **WOW!** see what I mean. There is an atomic reaction taking place which I believe is cold fusion and it is a safe atomic reaction as far as my test have noticed. hundreds of people are already using this heater with no problems that I have heard of. There are ways to up grade and make it better!

Another unit was built with about a 30 inch diameter cup shape rotor. It used about a 1/2 or 3/4 horsepower motor. The cup does not have to rotate at a high speed. (Remember a cup shape is different than a drum shape.) The temperature can easily reach 200 degrees or 300 degrees f. This device heated a 16 room mansion for around \$30 per month! (They should have used a free energy motor or Solar Panel to run the Fan Blower. it would have cost - 0 - \$.

I believe that the liquid molecules are set into greater motion due to the rolling friction between the stationary and the rotating cups. At the outer most diameter the molecular motion is the greatest and slowly decreases toward the bottom. Aluminum is the best material to use for the outer drum or cup that does not move. For you research people: A mechanical resonance can also occur in the liquid at the right thermal vibration. This will increase the heating action. Other constructions, sizes and shapes can produce CAVITATION and SHOCK WAVES! The design and geometry has a lot to do with it's overall performance. The world is seeing a new type of energy production here using the same old type of atoms that have been here on the earth since God created the earth. These atomic cold fusion heaters can be very simple in design and can be operated at very low speeds as well as high speeds.

NOTICE: I you like you can send us a picture of your finished heater and any new ideas we can pass along to others like your self would be greatly appreciated. I hope you enjoy working with this new and awesome invention as much as I did. There is yet so much more to discover!

Thank you
David Waggoner
Creative Science & Research
PO BOX 557
New Albany, IN. 47151

www.fuellesspower.com tesla@fuellesspower.com

The FUELLESS HEATER

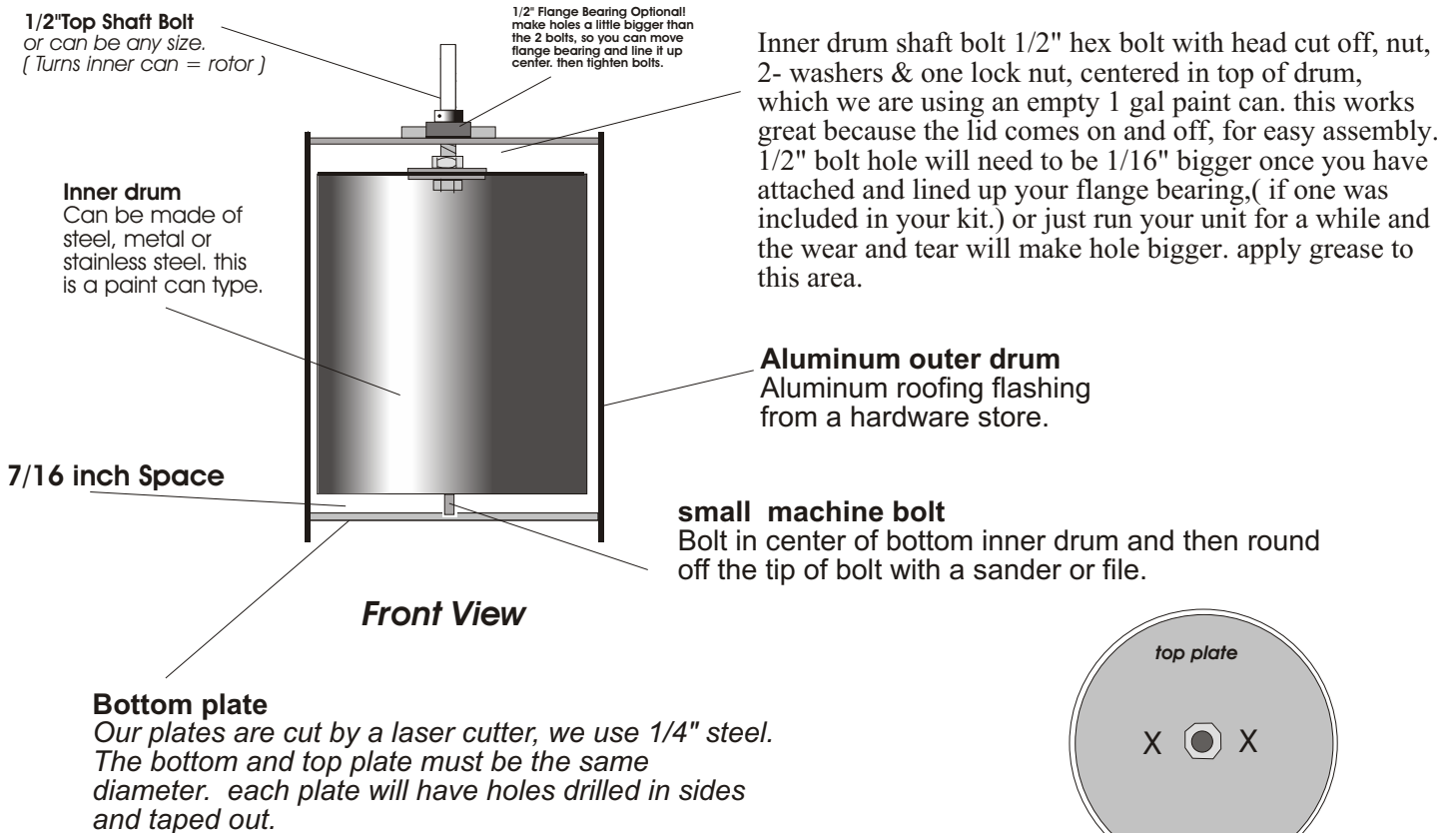
#878P

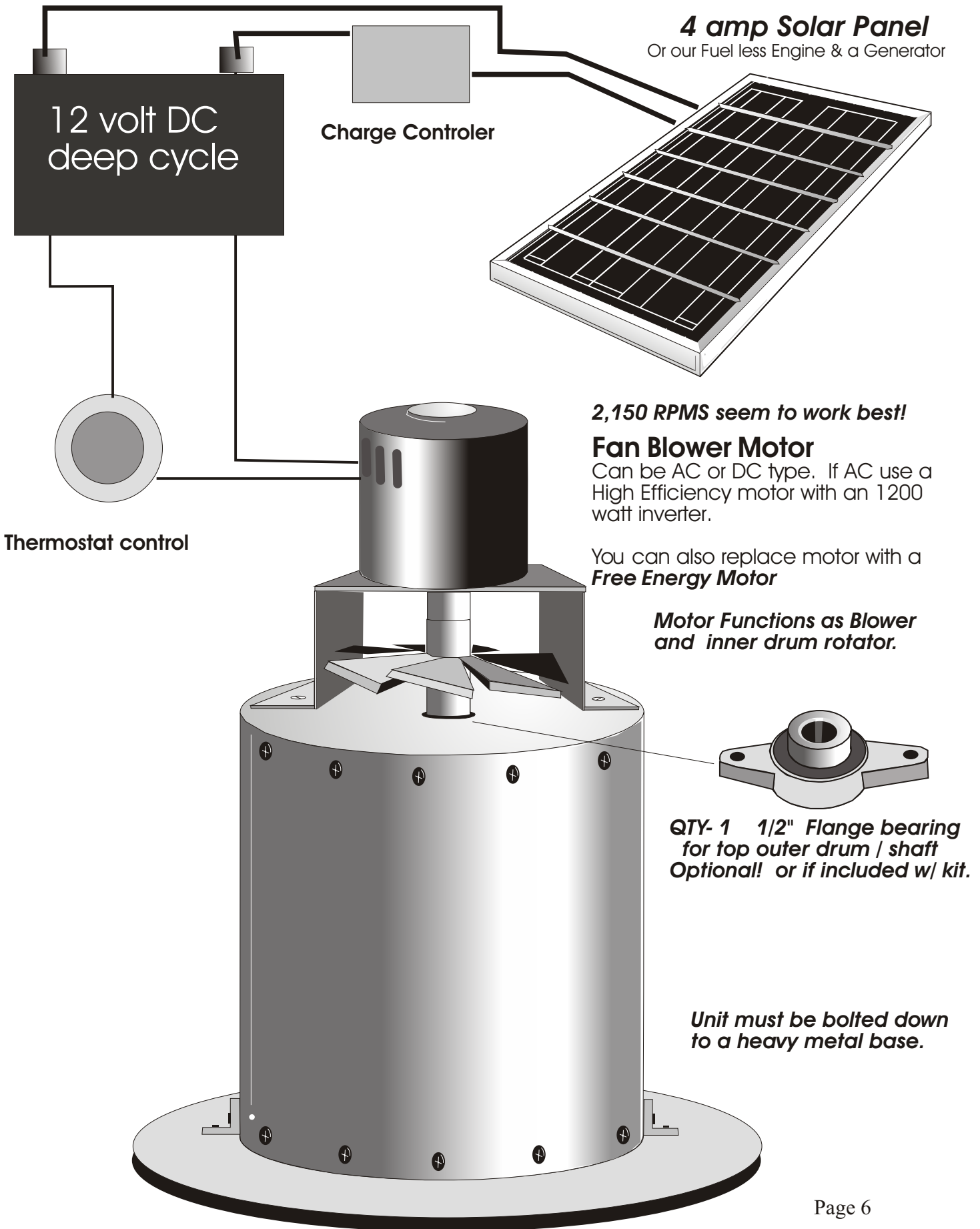
Copyright 2003 Creative Science
By The Unknown Author

DESCRIPTION: A inner drum rotates inside an outer drum, Inside a thin oil is rotating with the inner drum and rising up into the walls of the inner structure of the 1/8" spacing which is evenly spaced. Outer drum does not move. The inner drum shaft does not go all the way through as shown. This would cause an electrical magnetic short. The atoms are then moved in a way as discussed earlier. I also believe a electrical and magnetical flux from the atoms are taking place and causing the inner drum to work as a shorted out high amp generator, thus causing HEAT! I believe this to be 2 actions of energy taken place! this is why there is so much free energy heat! The liquid can be any type of liquid such as; Coke, = soft drinks, coffee, Oils, Transmission fluid, Brake fluid, Water etc...

I have found it best to use transmission fluid, but I am still researching this. see what you can come up with. See page 1. The Fuelless Heater is a True free energy machine! Of the Atomic type. If you use oil in yours it should take about 5 to 10 years for the heater to consume the oil. These units can be made to heat your hot water and generate electricity for your home using a steam turbine.

Please send us a photo of you and your heater after you build it.





4 amp Solar Panel
Or our Fuel less Engine & a Generator

Charge Controller

12 volt DC
deep cycle

Thermostat control

2,150 RPMS seem to work best!

Fan Blower Motor

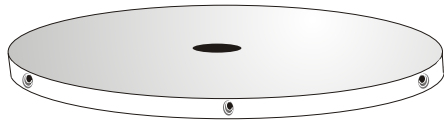
Can be AC or DC type. If AC use a High Efficiency motor with an 1200 watt inverter.

You can also replace motor with a **Free Energy Motor**

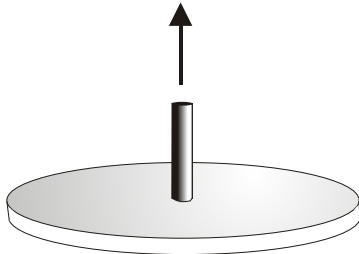
Motor Functions as Blower and inner drum rotator.

QTY- 1 1/2" Flange bearing for top outer drum / shaft
Optional! or if included w/ kit.

Unit must be bolted down to a heavy metal base.



Top Outer Drum Plate = Stator housing
 6 7/8" diameter - Steel or Aluminum
 1/4" Laser cut steel \$69 ea.
 3 - 7/64" diameter drill holes, machine bolt.
 6-32 x 3/8" tap.



Inner Drum: Paint Can Lid. with 1/4" bolt x 4" w/ 2 washers, 1 lock washer, 2 nuts.



Inner Drum: Paint Can, 1 gal. 7 5/8" tall x 6 5/8" diameter.
 You can buy an empty can at a hardware store or paint company / container co. or you can have a special steel drum machined by a machine shop in your area. - STEEL



Outer Drum = Stator
 Made of Aluminum roofing flashing, you must glue together with seam with automotive fast weld or epoxy past. hardens like steel. use a 1 5/8" x 10" steel pipe to Curve the sheet of aluminum. see video. holes must be drilled to attach the top and bottom steel plates.

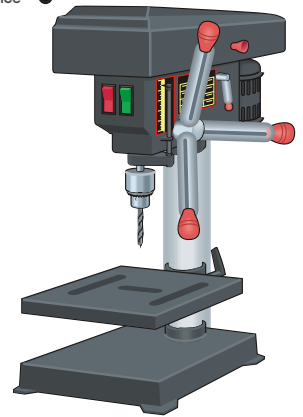
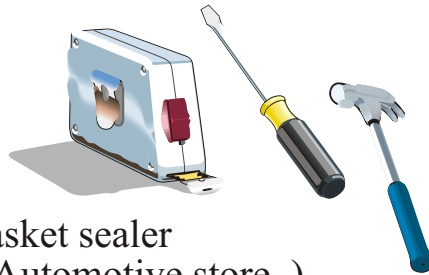


Outer Drum Bottom Plate; Center hole is not drilled all the way through. 3/16" x 1/8" deep. Steel or Aluminum

There are a few things you will need on your part to build this Free Energy Heater.

1. 2" grey Duck Tape

2. Screw driver and hammer



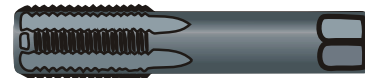
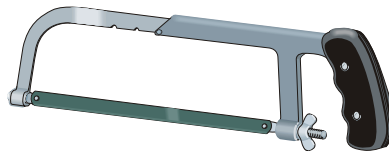
3. Copper Plus High temp. Gasket sealer
700 degrees silicon type. (Automotive store.)

This is used to help seal the seam of the outer aluminum drum and to seal the bottom of the heater plate, to keep the unit from leaking any oil or what ever liquid you use.

4. 1 5/8" x 12" metal Pipe.

This is used to round the Aluminum flashing so it will fit well around the laser cut 1/4" round metal, = top & Bottom of outer drum. You will first drill your holes top and bottom and then you will need to round off.

5. Hacksaw



6. Fas - Weld Automotive Repair epoxy

This can be used to weld the seam together, it is rated for high temp. and is like steel when dry. Surface area must be sanded and cleaned with paint thinner and dried very well before applying. You can buy a thicker aluminum so a welding shop or machine shop can weld it for you. you will to find a fabricating shop or machine shop to round it for you. it can be done very cheaply. I think 1/4" aluminum is best to weld?

7. PC-7 Heavy Duty Multi- purpose Epoxy Past.

This is not highly recommended to use to weld your Aluminum seam, it is only rated for 200 degrees. But it will work and is a bit easier to work with. it is a 2 part mix epoxy that you can buy at any hardware store.

8. DRILL PRESS; This is best to use and is more accurate than a hand drill.

9. Tape set 6 - 32 Machine Screw thread, Drill bit size = 7/64"

If you did not buy the kit, then you will need to have your own top and bottom plates cut, You will then need to drill holes in the 1/4" sides and then tape them out. (Thread them)

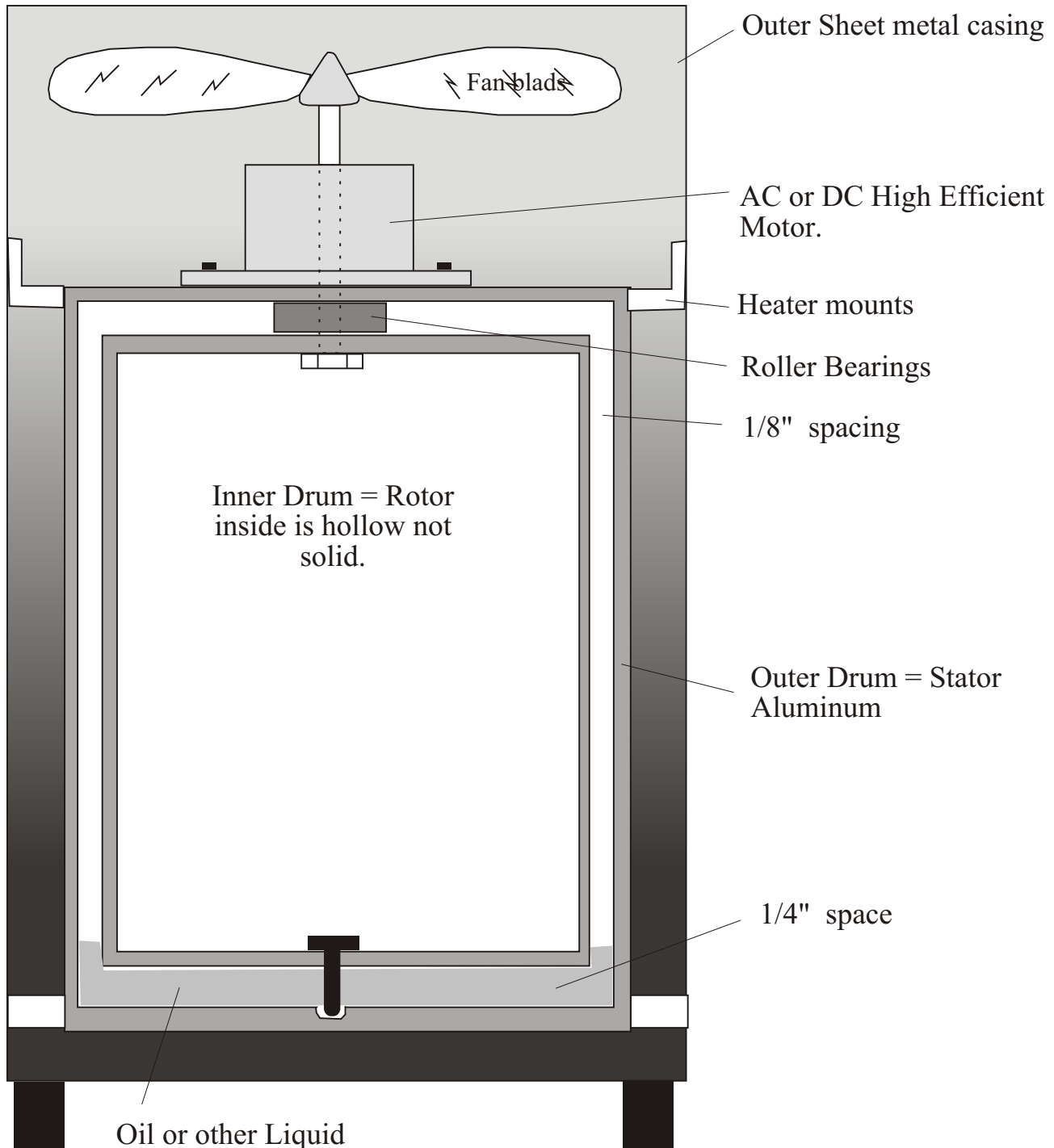


The
FUELLESS HEATER

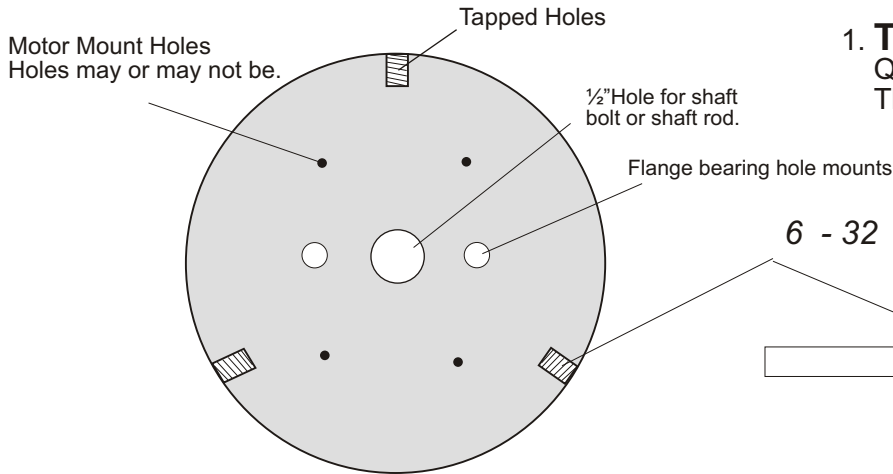
#878P

Copyright 2003 Creative Science
By The Unknown Author

There are many ways one could design this heater. Below is just another example. It would be less wear on the motor if you use a pulley and take the motor out away from the heat. The result will also be more high efficiency for the motor. The hotter the motor gets the more amperage it will use. The unit could be designed to blow the air downward and out the right side of the outer casing. the top would suck room air into it.



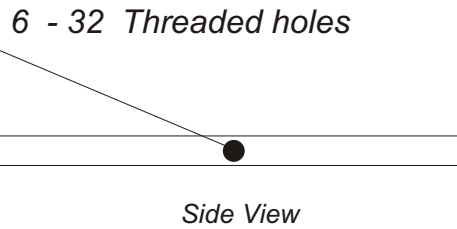
Outer Drum = Stator



Top View

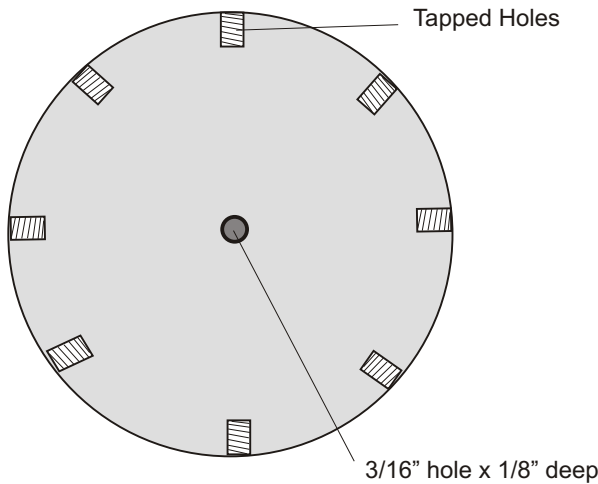
1. Top plate

Qty-1 6 7/8" Diameter X 1/4" Thick, TOP PLATE.



2. Machine Screws

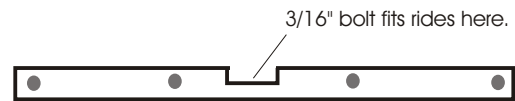
Qty-12 - 6-32 X 3/8" .
to attach outer aluminum drum wall.



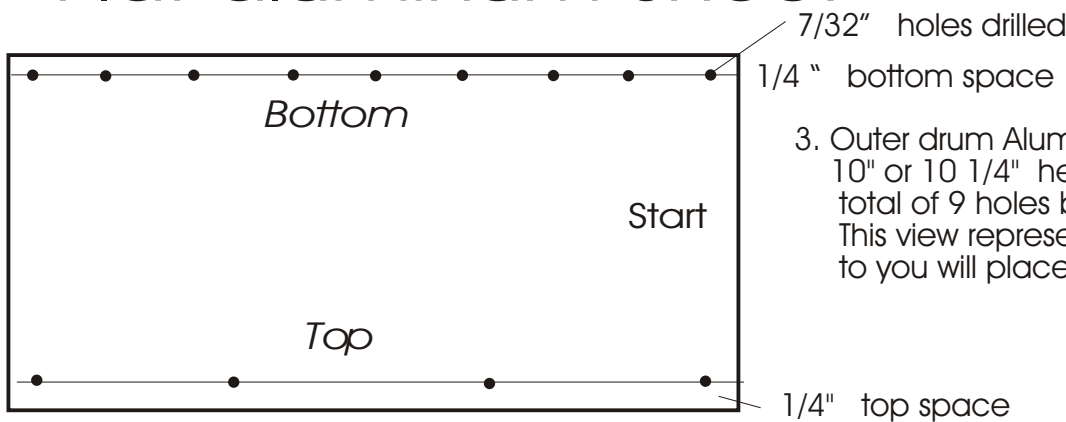
4. Bottom Plate

Qty - 1 6 7/8" x 1/4" steel - Bottom plate. total of 8 7/64" d. holes. tapped.

Side View, shows center drill hole 1/8"



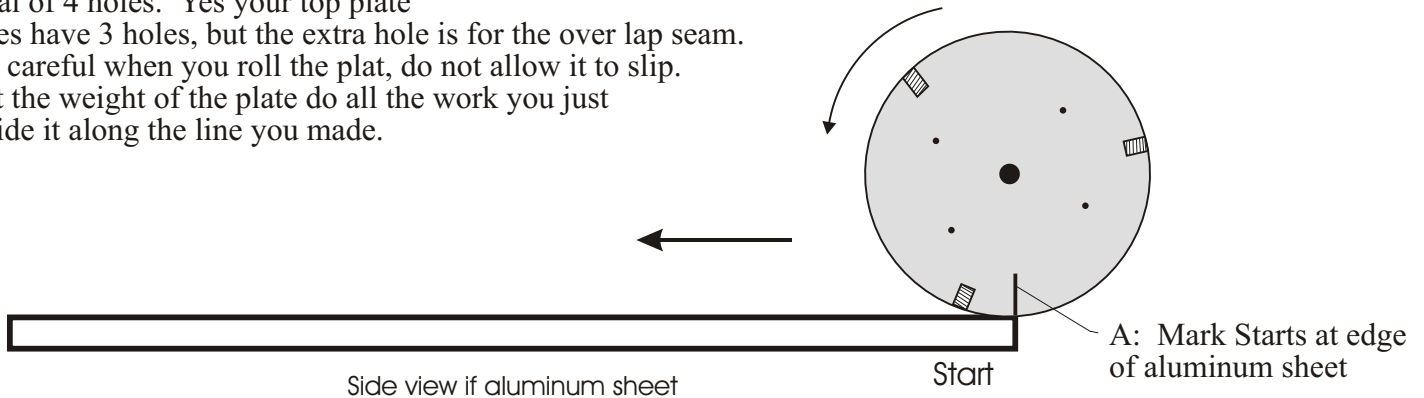
Flat aluminum Sheet



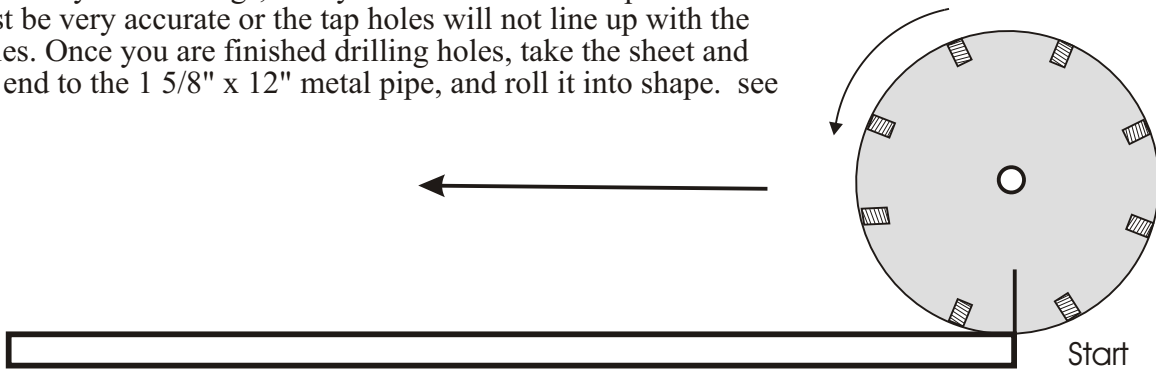
3. Outer drum Aluminum case.

10" or 10 1/4" height X 23 1/4" length.
total of 9 holes bottom, 4 holes top.
This view represents the inside of the drum, as to you will place your marks, see page 11.

You must mark your aluminum sheet on one end with your fine point marker and write starting point. then on your top plate mark one of the holes start or A. and draw a small start line there. Now on the flat sheet of aluminum draw a straight line across the top, 1/4". this line is where you will follow when you roll your plate to mark it. all plate holes should be marked on the top to indicate where the holes are. this is to help you when you go to rolling and marking the holes. Now, start rolling the plat VERY slowly to the left and when your hole marks are flat on the sheet, MARK IT! continue rolling and marking until you run off the sheet. These markings are where you are going to drill your 3/16" diameter holes. You should have a total of 4 holes. Yes your top plate does have 3 holes, but the extra hole is for the over lap seam. Be careful when you roll the plat, do not allow it to slip. let the weight of the plate do all the work you just guide it along the line you made.

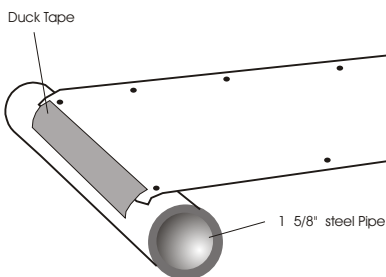


Now do the same thing to the bottom plat. Make sure that you place the bottom plat on the bottom of the aluminum sheet. Now once you have made all your markings, drill your 3/16" holes. keep in mind they must be very accurate or the tap holes will not line up with the sheet holes. Once you are finished drilling holes, take the sheet and tape one end to the 1 5/8" x 12" metal pipe, and roll it into shape. see video.



Now wrap the aluminum sheet around the pipe a few times until it take a curve shape. Once this is done you must check to see if the holes line up together with the top and bottom plates. This I will call the dry run. Using the small screws, attach the sheet to the bottom plat first, then the top. Now if all lines up well, Take the screws back out and start w/bottom, apply 700 degree copper plus epoxy. now start bolting bottom back together. when you get to the last hole, apply some to the inner seam. (Not all.) You will be applying the PC-7 epoxy to the outer seam, The inner seam gets the copper plus all the way up. now apply the last screw. now start on the top plate, no need to apply any epoxy here. (at least not for a long while. test unit first.) Now apply the PC-7 epoxy using a butter knife, apply evenly. now tape seam and let sit 24 - 36 hours.

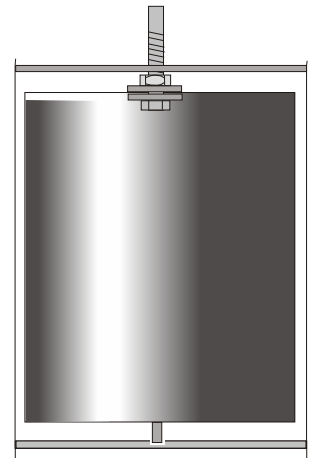
Round Off Aluminum Sheet



The Fuelless Heater

Now at this point you should have a very nice tightly fit outer drum. take off the duck tape, now apply the copper plus epoxy to the inner part of your outer drum along the inside seam, doing this will give it extra strength in fewer leaks. (NOTE: Be careful not to cut your self when handling, aluminum is like a knife!) (See our Video)

Now apply a small bead of copper plus on the bottom inside all around the inside radius, then using your finger smooth it out. do not apply to much. Let this epoxy sit for 3 days, (I know you are very anxious to get it up and going but you will thank me later.)



NOW THE PAINT CAN: Make a center mark on the lid and a center mark on the bottom of can. If you don't think you can do it, then find a local machine shop do drill the center holes for you. It must be centered or you will be off balance as it is running and that is not good on the motor.

Once you have your center holes take the lid and place your 1/4" x 4" long bolt into it. Actually the bolt can larger if you like. Use a lock washer and 2 large washers with nuts. now for the bottom of can. place a 8 -32 x 1" machine screw in the bottom. again use a lock washer and large washers with nuts. you can use an open bolt or a bolt with a head on it. Now the screw must be coming 5/8" out of the bottom. remember you need 1/4" space from bottom of paint can or edge, to the bottom of outer drum. I am accounting for the 1/8" pivot hole. using nuts and a washer on the top lid, apply as many as you need so that once the drum is in it will not move up and down to far. up and down movement should be about 1/16 of an inch play. Now add transmission fluid to bottom of outer can = stator. place paint can into outer drum and put the top plate on. 1/4" shaft bolt should go through the top plate center hole. Paint can should move very easily with your fingers. Now place your new heating unit under your drill press to test it at 1500 rpm to start.

apply a kitchen oven turkey thermometer to the outside. (Tape it) now watch the heat rise. Write down your room temp. if you did everything right the temp. should rise very quickly. The larger you make this heater the better.

Now that you see it works you can now design your motor mount etc....

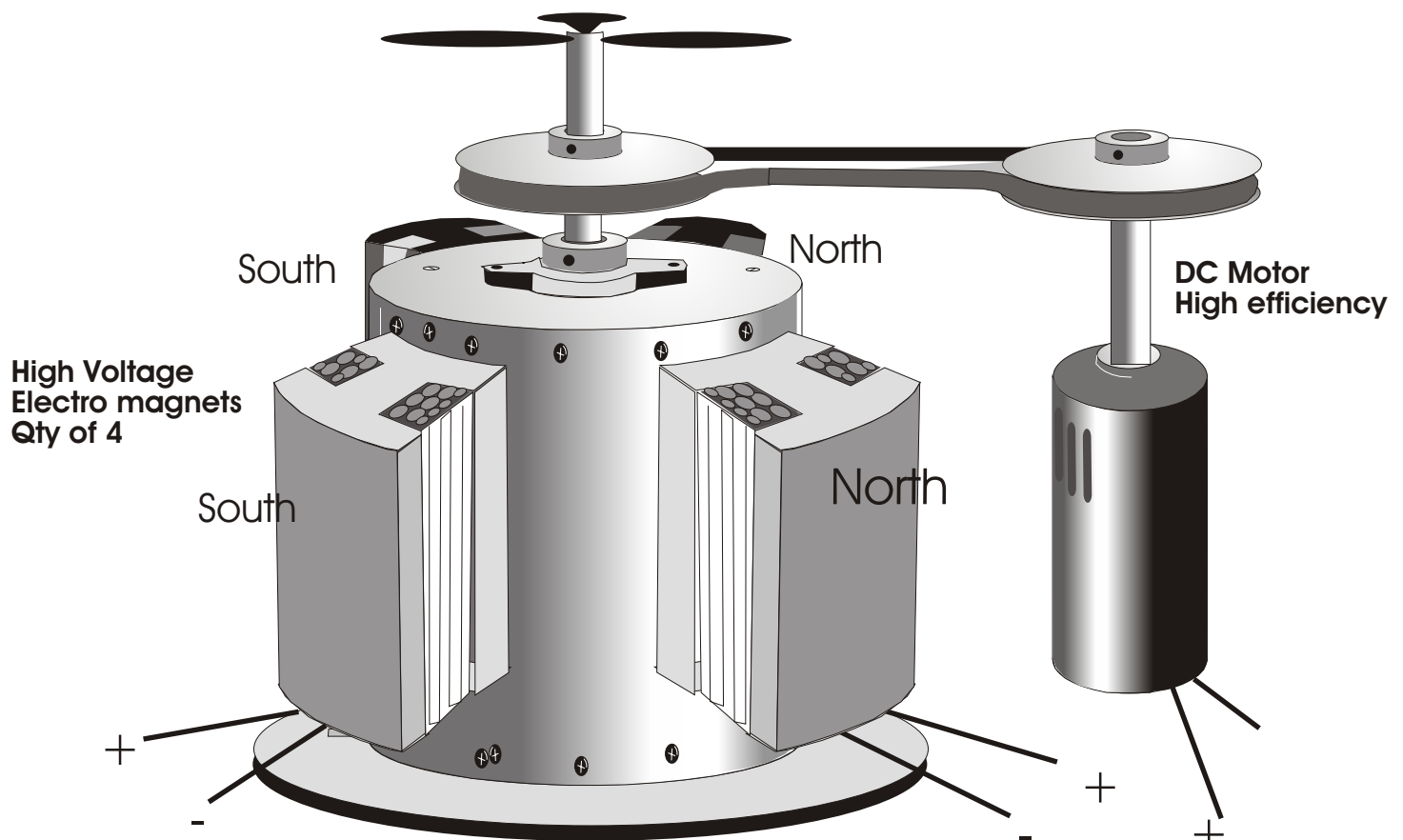
The Fuel less Heater Model " C "

Now this design should give you more Heating power, by using a simple paint can as your inner rotor as before. This improvement was invented by Rick & Dave of Creative Science and Research, this will be an improvement to all other US patents that this heater now has.

As may not know, by rotating a steel drum in a strong magnetic field this will produce heat within the metal drum which is acting as a shorted out generator thus causing heat! This combined with the Oil friction heat method will produce a higher efficient heater! As you see below I use 4 high voltage DC pulsed electromagnets. The iron core is not like the iron used in transformers or other magnets. we want this metal to become a permanent magnet by the off and on pulsing of the DC coil. So I use a cold steel metal or such again unlike iron cores that are used in motors etc.. the engineers do not want the metal to become permanently magnetic. but in this case I want it to as much as I can! This will also save on energy and produce a higher power pulsed electro magnet and will produce greater heat from such a small device. The steel core is laser or die cut to a special curve and each laminated piece can be about 1/8" to 1/4" thick using cold steel.

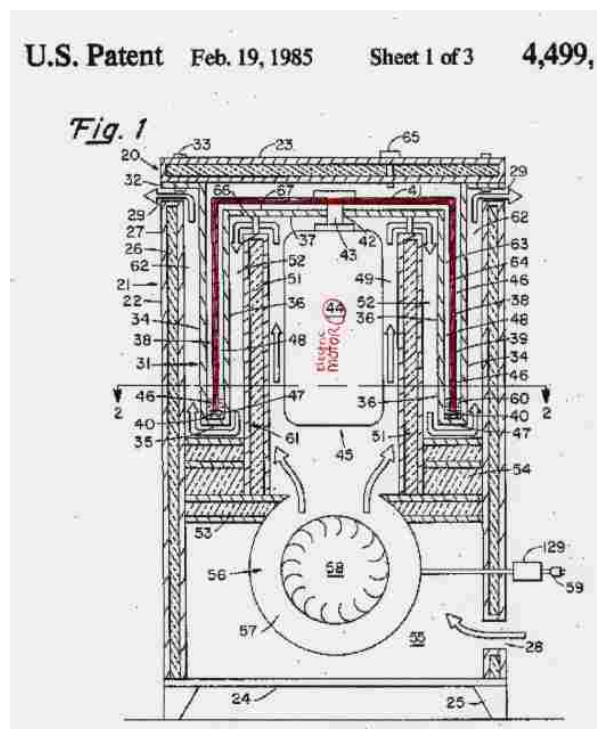
The DC pulse is much like the Ed Grey Electrical Patent, using capacitors to step up the 12 VDC solar panel voltage to a high DC voltage of about 600 DC volts x 1 amp, the back emf (Which is free energy from a collapsing magnetic field) is collecting and placed back into the 12 volt dc deep cycle battery. Again use a 5 amp 12 volt solar panel with 2 deep cycle 12 vdc storage batteries. and you will also need a Solar Voltage controller, Of course you could hook all of this up to your home electric using a step down transformer of 24 to 36 vdc and using one storage battery and still produce a high efficient overunity heater.

Copyright and Patent pending 2000 to 2003



The coils can be wound with about 1,000 to 2,000 turns of #26 copper coated wire. Notice the top of the magnets in this drawing are cut off just for display purposes, the windings go all the way around the steel core. If you need to learn how to build high voltage magnets see our #HVEMP plans for \$19.95 plus shipping. NOTICE! very important the 600 VDC pulse is only activated at every 2 to 6 seconds. as the steel gets more powerfully magnetized the pulses get longer, like every 15 to 25 seconds.

A friction heater having a heat insulative housing containing inner and outer members with at least one member mounted for rotation relative to the other on a common vertical axis, causes oil to rise up into an annular liquid chamber between the members during rotation to generate friction heat. The inner and outer members are of heavy heat conductive material and are of cup shaped configuration, preferably inverted, to receive the electric motor drive in the resulting, central axially extending space. The outer member has an inner side wall within the cup shaped inner member and the housing has an inner side wall within the members to guide air in a flow path over the motor.



U.S. References:

Claim: I claim:

1. Heat generating apparatus, comprising:

- (a) a housing formed with an air inlet opening and an air outlet opening spaced from one another;
- (b) a relatively fixed cylindrical casing mounted upright in said housing and formed with spaced cylindrical concentric inner and outer walls open at the upper end thereof, and closed at the lower end thereof to define at least one relatively deep annular well at the lower portion thereof for containing a quantity of lubricating liquid therein;
- (c) a cylindrical rotor mounted in said casing for rotation about a vertical axis;
- (d) said rotor being formed with a cylindrical tubular lower skirt extending concentrically into said well and defining a pair of relatively small annular inner and outer clearances with said inner and outer walls of said casing;
- (e) said rotor including a transverse wall;
- (f) power means drivably connected to said transverse wall for rotating said rotor about said vertical axis whereby said liquid will move upwardly in both of said clearances and cause said walls to be heated; and
- (g) air moving means operatively associated with said apparatus for flowing air against the outer surface of said walls between said inlet and outlet openings.

Background/Summary:

Drawing

Descriptions;

Description of

Preferred

Embodiments:

Show background/summary

Show drawing descriptions

DESCRIPTION OF A PREFERRED EMBODIMENT

In FIGS. 1 and 2 a preferred embodiment of the friction heater 20 of the invention is shown, the heater 20 having a housing 21 with an upstanding side wall 22, a top wall 23, a bottom, or base 24 and legs such as at 25.

The upstanding side wall 22, may be of cubical, or cylindrical, configuration and is provided with heat insulation 26, as is the top wall 23, so that the exterior face 27 of the heater is cool to the touch. A cool air inlet 28 and a heated air outlet 29 is provided in housing 21. The insulation 26 not only prevents heat from conduction through the walls 22 and 23 but also serves as sound

insulation to quiet any noise of rotation to the minimum.

An outer member 31 is mounted within housing 21, which preferably is of inverted cup shaped configuration, with an attachment flange 32, fastened by bolts 33 to top wall 23, and a generally cylindrical, upstanding, outer, side wall 34 preferably about fifteen inches in height. The outer member 31, also includes an annular, integral bottom wall 35, an upstanding generally cylindrical, integral, inner wall 36 and a horizontal disc like, annular upper wall 37 to define the above mentioned inverted cup shaped configuration.

The inner member 38 is mounted within the outer member 31 and is also preferably of inverted, cup-shaped configuration with an upstanding, generally cylindrical side wall 39 spaced about one eighth of an inch from the outer side wall 34, and about one eighth of an inch from the inner side wall 36 of the outer member 31. Inner member 38 includes an integral, annular top wall 41 having an opening 42 for receiving the shaft 43 of electric motor 44 of the electric motor drive means 45 of the heater 20. The lower peripheral rim 40 of the inner member 38 is spaced from the annular bottom wall 35 of the outer member about one eighth of an inch.

In a heater of about thirty inches in height, the outer side wall 34 of outer member 31 is preferably about twenty two inches in diameter and about fifteen inches in height with the inner member side wall, and inner side wall of the outer member, spaced apart about one eighth of an inch to form an annular outer liquid chamber 46 of uniform, close clearance, a shallow annular lower liquid chamber 47 and an annular inner liquid chamber 48 also of uniform close clearance.

Because of the preferred, inverted, cup shaped configuration of the inner member 38 and the outer member 31, a central axially extending space 49 is provided for accommodating and receiving the electric motor 44, thereby providing a compact heater. The inner and outer members are preferably of heavy material, the rotating inner member being of one-quarter inch metal and the outer member being also of substantial thickness to prevent bulging of the inner side wall under rotation at the preferred speed of about 1800 RPM while also retaining and conducting heat for a substantial period after rotational friction ceases.

The term "generally cylindrical" is used to describe the upstanding side walls of the inner and outer members because it would be possible to make them slightly truncated conical if desired. It would also be possible to mount the outer member for rotation around a stationary inner member, or to rotate the inner and outer members in opposite angular directions, but cylindrical side walls with the inner member rotating within the outer member on the vertical axis of the shaft of motor 44 is the preferred construction.

The housing 21 includes an upstanding, generally cylindrical inner side wall 51, within and spaced from the inner wall 36 of outer member 31 to form an inner, annular air chamber 52. Side wall 51 is supported by a horizontal annular partition 53 insulated at 54, the partition 53 being supported by housing side wall 22 and forming a lower compartment 55 for powered air circulation means 56 which is preferably a fan, or blower, 57 driven by electric motor 58 from the source of electricity 59.

It will be seen that cool air from the ambient atmosphere is drawn into the cool air inlet 28 by the blower 57 and circulated in the flow path represented by the hollow arrows past the electric motor 44 in the central axially extending space 49 to cool the motor while

picking up heat. The so heated air then reverses direction in the inner annular air chamber 52 to pick up heat from the inner side wall 36, the housing inner side wall 51 acting as the air guide means 61. The heated air then again reverses direction to flow along the outer annular air chamber 62 and thence is discharged from heated air outlets 29.

As in my said patent, a small supply of light oil 60 is normally located in the shallow annular liquid chamber 47, but rises into the outer annular liquid chamber 46 during rotation of the inner member 38 to transfer heat from one member to the other to create frictional heat. It is believed that some of the oil, probably in emulsion form also transfers heat to the inner wall 36 of the outer member during rotation, this wall also becoming heated by conduction of the heavy heat conductive metal.

It should be noted that the supply of oil 60 is captive within the liquid chamber and only partially fills the same so that there is no "flow through" of liquid and the liquid compartments are not full of liquid.

The interior face of the upstanding side wall 39 of the inner member 38 is designated 63, the exterior face thereof is designated 64 and a cap 65 is provided to initially provide a charge of oil 63 in chamber 43, or to replace the same if it becomes slightly depleted after much use.

An apertured ring 66 is affixed to the upper rim of inner side wall 51 of housing 21 to support the partition 67 which in turn supports motor 44 in depending position, while the apertures in the ring 66 permit unimpeded passage of air in the flow path indicated. Motor 44 is preferably a commercially available three horse power electric motor, of the gear motor type rated for about 1725 RPM and about fifteen inches in depth and eight inches in diameter. A drain 68 may also be provided if desired.

Another embodiment of the invention is shown in FIGS. 3 and 4, the housing 71 having a heat insulated side wall 72, floor 73, top wall 74, cool air inlets 75 and heated air outlet 76.

The outer member 77 and the inner member 78 are both of inverted, cup shaped configuration to form the central axially extending space 79 for the electric motor 81. Motor 81 is supported by the inner side wall 82 by the inward projecting lugs 83 and 84, the side wall 82 being supported on vertical, spaced posts 85 from the floor 73. Outer member 77 has an inner upstanding wall 86 which supports upper bushings 87 and tower bushings 88 for rotatably engaging the inner member 78. The inner member 78 is hollow with an inner sealed chamber 89 so that a shallow, annular liquid chamber 91, of considerable width is provided for the oil 92. A drain 93 is provided and the motor 81 is equipped with a magnetic clutch 94 connecting it to the inner member 78 and a second magnetic clutch 95 on the motor shaft 96, connected to a fan 97.

In this embodiment the flow path, indicated by hollow arrows, leads from the cool air inlets 75 up the annular air chamber 98 and out of the heated air outlets 76 picking up heat from the exterior face 99 of the side wall of the outer member. It also leads up the central air space 79, on one side 101 of the motor 81 and down the other side 102 thereof to cool the motor while picking up heat therefrom, the motor being cooled thereby while the air heated by the motor joins the flow path.

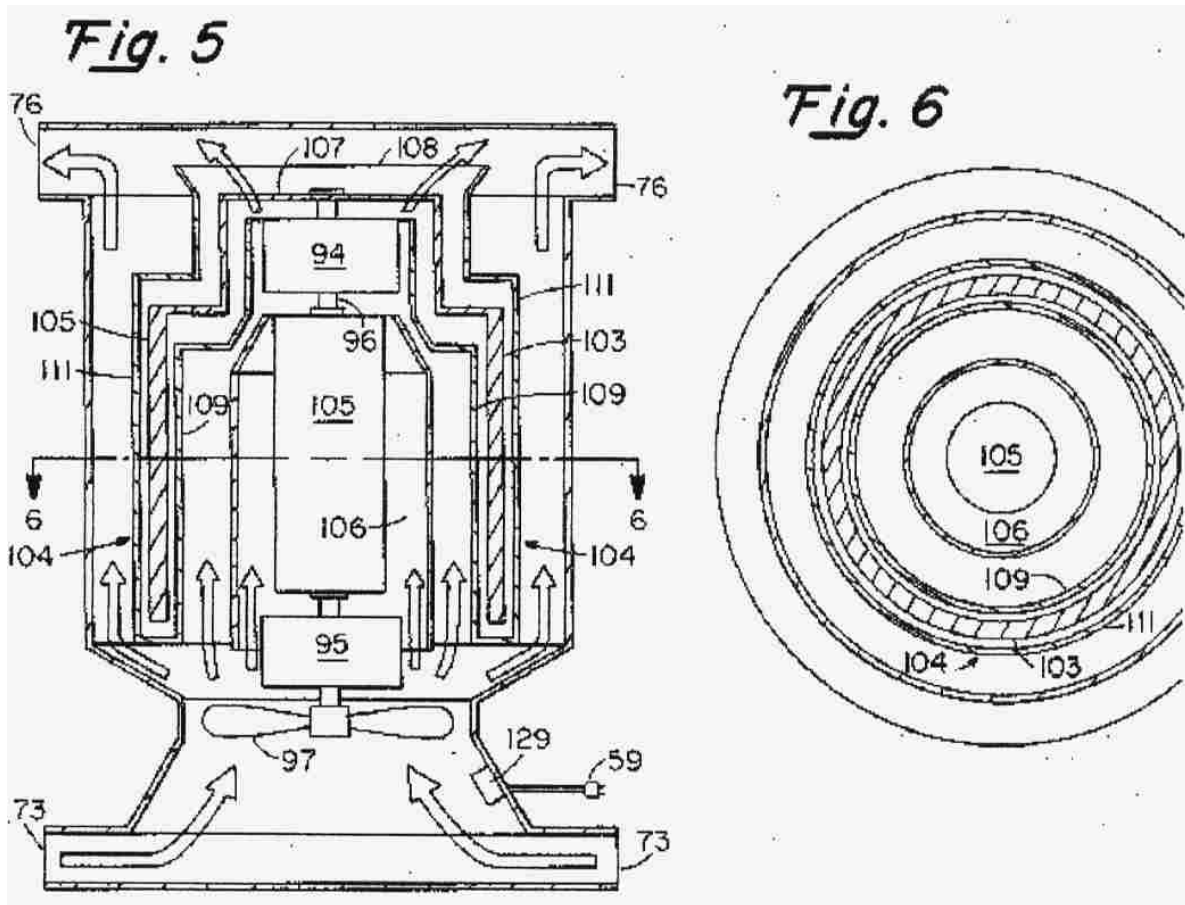
Another embodiment of the invention is shown in FIGS. 5 and 6 wherein the inner member 103 and the outer member 104 are both of inverted, cupshaped configuration with the electric motor 105 in the central, axially extending space 106 but both members are

open at their respective tops 107 and 108 so that air flows upwardly and unidirectionally past the motor 105 and past both the inner side 109 wall and the outer side wall 111 of the outer member 104.

Still another embodiment of the invention is illustrated diagrammatically in FIG. 7 wherein the heater housing 112, is insulated and cool to the touch, the inner member 113 and the outer member 114 are of cup shaped configuration with an upper bushing 115 therebetween and a small supply of oil 116 in the shallow liquid chamber 117 ready to rise into the annular liquid chamber 118 upon rotation. An electric motor 119, rotates the outer member 114, on its central shaft 121, by belt and pulley power transmission 122. in one angular direction while an electric motor 123 rotates the inner member 113, on its shaft 124, sleeved on shaft 121, by belt and pulley power transmission 125 and in the opposite angular direction.

The electric motor powered air blower 57 directs ambient cool air up the annular air chamber 126, along the exterior face 127 of the outer member 114 and out of the air outlets 128 back into the ambient atmosphere,

In each of the embodiments of my invention suitable thermostatic control circuits 129 are provided, to cause the rotating member to generate friction heat until a desired temperature is reached, the control circuit then halting rotation while causing the electric motor powered air circulation means to continue to circulate air past the friction heated surfaces until temperature drops to a predetermined figure for a recommencement of the heating cycle. This circuitry and control system is explained in my above mentioned U.S. Patent and therefore is not explained in detail in this application.



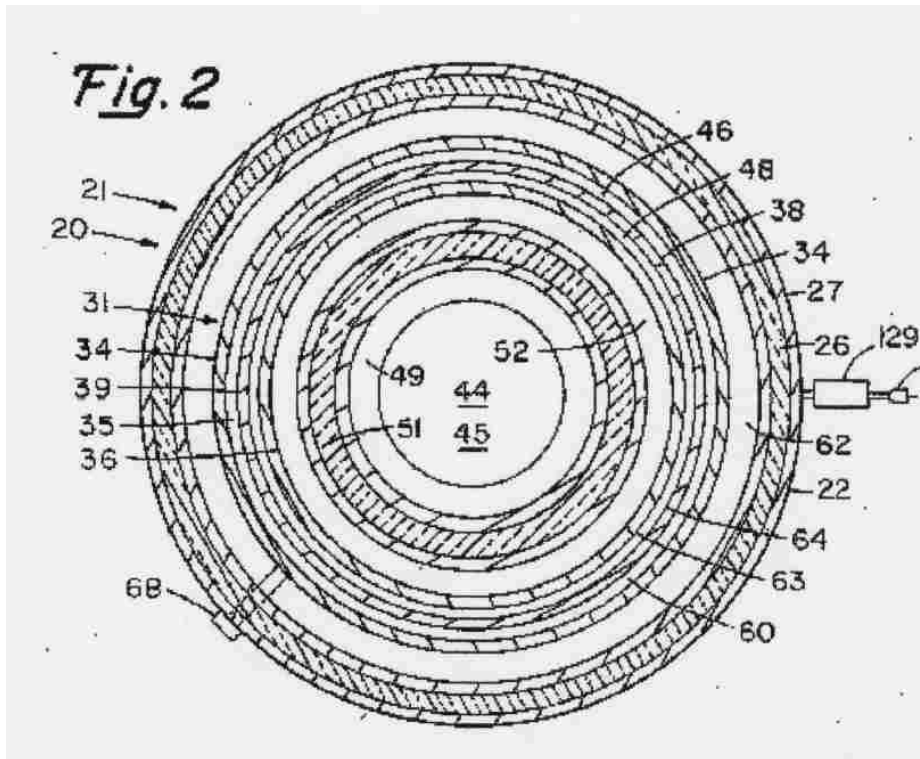
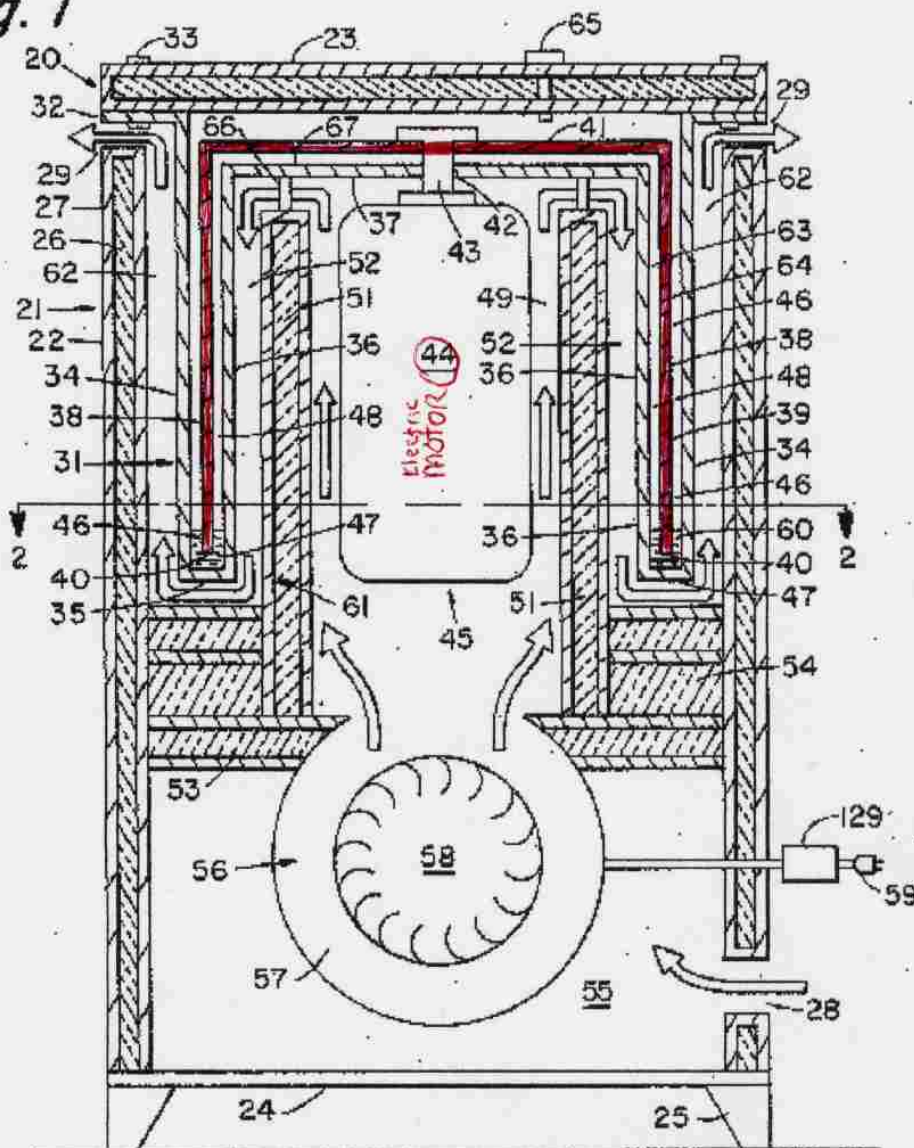
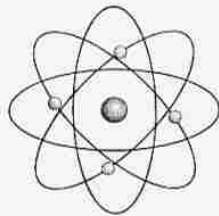


Fig. 1





CREATIVE SCIENCE & RESEARCH

P.O. BOX 557 NEW ALBANY, IN. 47151

Information Big Brother & the Oil Companies do not want you to know!

KNOWLEDGE IS POWER!

4700 uF 35v

CONTACTS

RING

SIDE VIEW OF 4 PC

13 VDC @ 68.75 mA (electromagnet)

2003

FREE ENERGY
www.fuellesspower.com

Time is running out