



Creative SCIENCE

& Research

Copyright 2002 - 2004 Creative Science & Research



● PO BOX 557 New Albany, IN. 47151 USA

Information Big Brother & the Oil Companies do not want you to know!



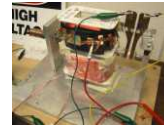
Free Electricity

From the Phone Co.



Time is running out





Question: Is there enough useable energy from my phone line to light a 100 watt light bulb?

Answer: Yes, but only for a short time. If you are looking for a way to light up your home then build our fuelless engine.(see our web site at: www.fuellesspower.com or write us for a catalog.) This engine is powerful enough to run a 10 kw 120 vac 60 hz generator which can run your home.

You can still use your incoming phone line as a useful light source. You can get enough light to light up a room or two by using a diode and a large 100 volt capacitor bank to collect the 50 vdc. What you then want to do, is to use a high efficient lighting source, such as ultra bright white diodes, White neon lighting or flourescent bulbs. (great for emergency lighting in any storm.)

The 50 vdc current you have collected will not light Neon or Flourescent bulbs until the voltage is much higher. 300 to 5,000 vac, You can buy a 15,000 volt neon transformer and pulse the 50 vdc into the primary using a wind up spring pulse switch (food timers) or build a low milliamp transistor type pulse generator, this will turn the DC to AC which you can then collect from the secondary out put of your transformer. You can also build our #363-a step up DC (No amperage loss! 100% eff. Using Photo caps) Or just for a quick fun experiment charge 20 - 50 volt capacitors, with each capacitor having about 4700 uf (micro farads), simply fully charge each capacitor by hand then connect them in series using Radio Shack allegator clips (wire), just like batteries, Negative to Positive,

Warning! Use rubber gloves when working with High Volatge, High Voltage can kill!



Once you are done with connecting them in series, use a small low amp (Miliamp) isolation transformer which you can buy from any electronic supplier or Radio Shack store. (Search for Electronic Suppliers on web search engine) connect the negative to the primary and the positive you will need to pulse the + on and off very quikly! the faster the pulse the better the output of energy! Connect the secondary leads from the isolation transformer to the ends of a neon or flourescent light bulb, as you pulse the positive to the primary of the transformer the bulb will light very brightly!



15,000 v Neon Transformer

Or you can pulse this homemade Tesla Coil to light a bulb!

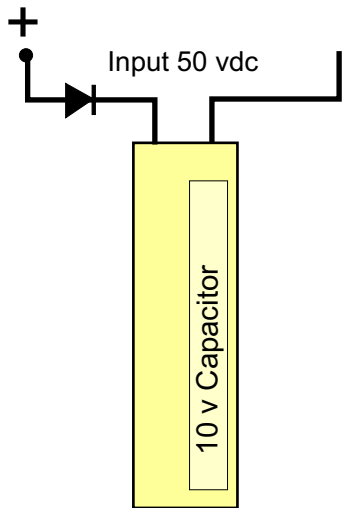




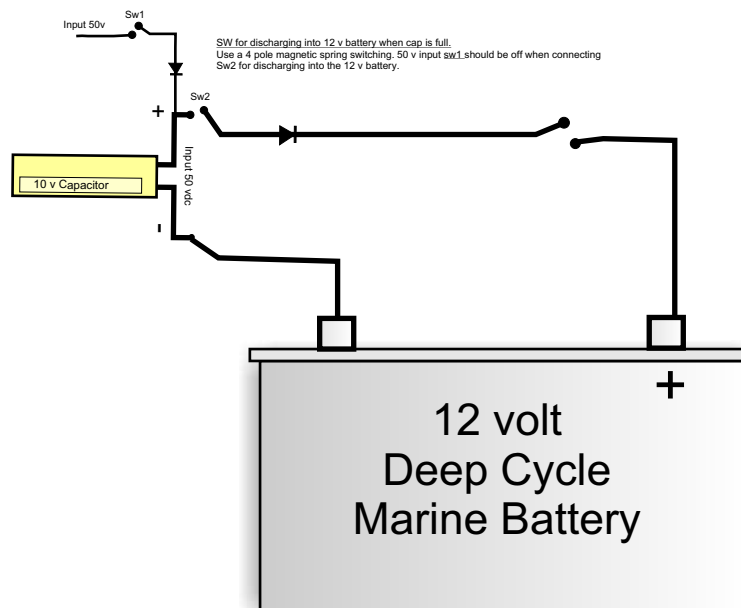
Again, there are many ways to get free electricity from your phone lines. (also great for out door lighting.)

Updated 2004: The below method seems to be the best way so far to collect and store the 50 vdc energy. This method should be done at night or when the phone line is not in use.

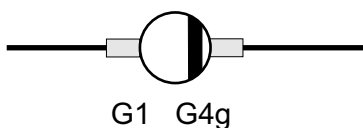
To obtain 1 amp at 15 vdc we use a 10 volt capacitor to step down the 50 VDC that is coming from the lines. This capacitor is a very special capacitor, try to get the same type if they still sell them. I think it was made in Japan. I wish we had them in stock we would sell them. Photo caps are very special and might work as well.



Electrolytic Capacitor
10 v x 1000 uf 105 C
Made by Elna part # 8643



Power diode works best!



Let cap charge every 4 to 6 seconds, you may want to use a spring wind up timer for switching or use transistors as dc pulser to control 4 pdt relays which all can be powered from free energy from the earth method, (See our free energy from the earth plans #459 \$29.95 plus \$3.95 shipping.) Or you can use small magnetic reed switches (about 10) placed and glued around a kitchen timer. Glue a small 1/4 diameter neodymium magnet to the rotating handle.



High Voltage Care

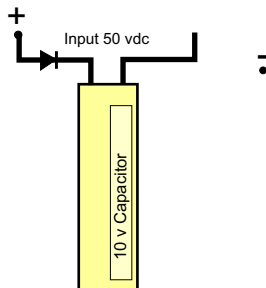
Be careful, high voltage or even low voltage with high amperage can kill you. Do not attempt to work on this project unless you are a trained professional in high and low - high amperage..

Remember to wear RUBBER GLOVES and RUBBER SOLE SHOES. Using rubber platex gloves from a dollar store or such, work good for up to 50 volts, any higher voltage you should wear a thicker rubber pair of gloves....

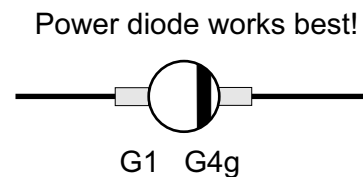
WARNING: discharge all capacitors before you touch and work on them or around them.. If you do not know what a electrolytic capacitor is then we suggest you buy a beginners book in electronics that you can get from from any Radio Shack or electronic store or book store.

You can also use the earth ground to gain more electrical energy into your capacitor by using one leg (the Negative) from the the telephone out put! A diode in the right direction of this leg will do wonders. it's that easy.

The following information is confidential and has copyright and patent pending: Capacitors store and discharge free energy! Radiant energy is stored in between the capacitors plates and the electrons rest on the metal plates themselves. Radiant energy is also created at discharge, but in reality is taking the energy from a very special place that we do not want to disclose at this time.



Electrolytic Capacitor
10 v x 1000 uf 105 C
Made by Elna part # 8643



Power diode works best!



Part 2

We are going to show you several different methods that you can use to get free electricity from your phone line.

The amount of electricity will vary and depend on which set up you use. most of these set ups can be used at night time while your phone is not in use. using it this way will be the strongest.... by using these methods it will keep the phone 1/2 way off the hook ? (hard to explain)

One of the methods that we will explain is a bit crude.... If you should get an incoming phone call in the middle of the night or day it will charge the capacitors faster and with more amperage input, but with one disadvantage, the phone will not ring! But we have discovered a way past this, but with a slight amperage loss. By using what we invented called a ceramic permanent magnet capacitor blocker filter.. you will see the drawings on the following pages.

I'm sure there are much better ways to charge and gain more voltage and amperage from your phone line than what we have shown you here. but I am sure you will understand that our time is limited, it's a fun project, but we have been developing and researching much better technology than this! If you find a better way then please contact us so we can put it in our plans and share it to the world, we can mention your name as being the inventor if you like.

(Timer Switching 4 PDT relays)

The Electricity you will get can be constant when hooked up to multiple capacitor banks (Differant caps than the one shown on page 2). Using one 9 volt battery capacitor timer switches, to fire each cap bank at it's proper time. or by using earth energy. (use 2 - 63 v x 4700 uf electrolytic capacitors)

We have actually lit a 100 watt 115 volt AC light Bulb with this set up. 2 caps connected in series. Charge each cap by hand, then connect together in series. But the main purpose is to use this system as a 12 volt deep cycle battery charger that will run a DC to AC 115 volt inverter to use as usable household energy to power a light bulb, an ac motor, TV, VCR etc...



You can Produce up to 3 amps every 30 seconds by charging a 35 volt x 4,700 uF electrolytic capacitor bank. Connecting large uf capacitors in parallel increases the amperage but slows down the charge time. You can also use them in series to step up the voltage to get 100 volts or 150 vdc if you use three fully charged caps connected in series. The Fuelless engine can be designed as a small 2 hp electric motor and made to run on .05 ma x 300 input and can run from the phone line using our Com /SW method, (See Our Plans) you would need six fully charged caps 50 to 63 v x 4700 uf caps, to run this type of High Effiecient free energy motor. the output will be greater than the input!

You can also use a DC to AC inverter (not the type to run your home)right from the phone wall outlet and then by using a step down transformer you can get 12 volts ac which you will then need to change to dc using a one way diode. The amperage will be greater and can charge a 12 volt marine battery.

Notice:

Be sure to be neat! Put all Components in a safe and convenient plastic box. Use PC board, make it professional looking don't be sloppy! You must keep it safe were Kids as well as some Adults will not get shocked or hurt.

IS IT LEGAL?

We don't Know?

When we first put it in our catalog we were confident that it was. Now we are not so sure? But, it's your phone and you are paying for it! Once it passes into your home it should be yours, as long as you hook it up right and it does not kick back up into the phone line and cause any harm to the phone companies generator lines or breaker boxes etc... that's why we use one way diodes. We have knocked out our phone lines for about an hour or so. when pulsing into the earth you sometimes get a kick back of more current and voltage than what is being collected or inputed.

Remember: it's your phone service! you pay for it every month. The electric you pay for is used to run your telephone, if you wish to use it for something else there should be no law against it.... WE HOPE!!!!????



OBJECTIVE:

All the methods described in these plans are ways to get cheap Free energy for your home, (#359 is not intended for your entire home).

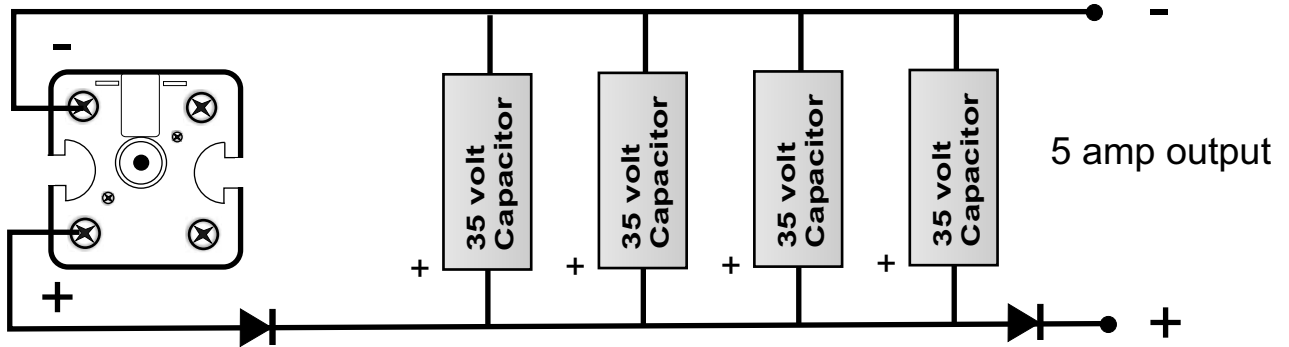
There are millions of poor people all around the world who can't afford electricity but may have a phone, (this system is much better than using candles). It's fast and cheap to put together for emergency low light conditions. If one can afford it, we recommend building our Fuelless engine to run a car alternator, or 10 kw home generator system and stop paying a high electric bill, our system can pay for itself. Someday I hope we will be allowed to manufacture our free energy motors then you can simply go down to your local hardware store and buy a free energy motor and generator to power your entire home, but that may not be soon. The only way the open public is going to be able to get a hold of a free energy electric motor is to build one for themselves. It's really not that hard! The cost to build our 2 hp (Fuelless) Free Energy Electric Motor is only about \$195. You can use the 2 hp to run a 80 amp car alternator to charge a 12 volt marine deep cycle battery system connected to a 500 to 5000 watt inverter (Which you can buy or make, see our #579 plans \$40) to run your lighting, fans, VCR, TV, Refrig, Microwave etc...

Collecting Free Energy from your phone line is also a fun science project! Your friends will love it. Most people do not even know they have 50 vdc running to their phone line, and when the phone rings it sends 3 times more amperage to your charging system. Set your phone up where it will ring itself every 2 minutes for one hour or until your batteries are fully charged. It's basically free! The phone company is not going to charge you extra for it.

Use 4 - 12 v deep cycle marine batteries, (car batteries will not work) and connect them in parallel to increase your amp hr. then connect your inverter or inverters to your fully charged battery bank and enjoy free lighting, free electricity etc... Notice: Do not let your batteries go under a 25% charge, the batteries will last years if you take care of them by not under charging or over charging them. Use a digital volt meter. If you need more amperage, again use our Fuelless Engine or our free energy from the earth.

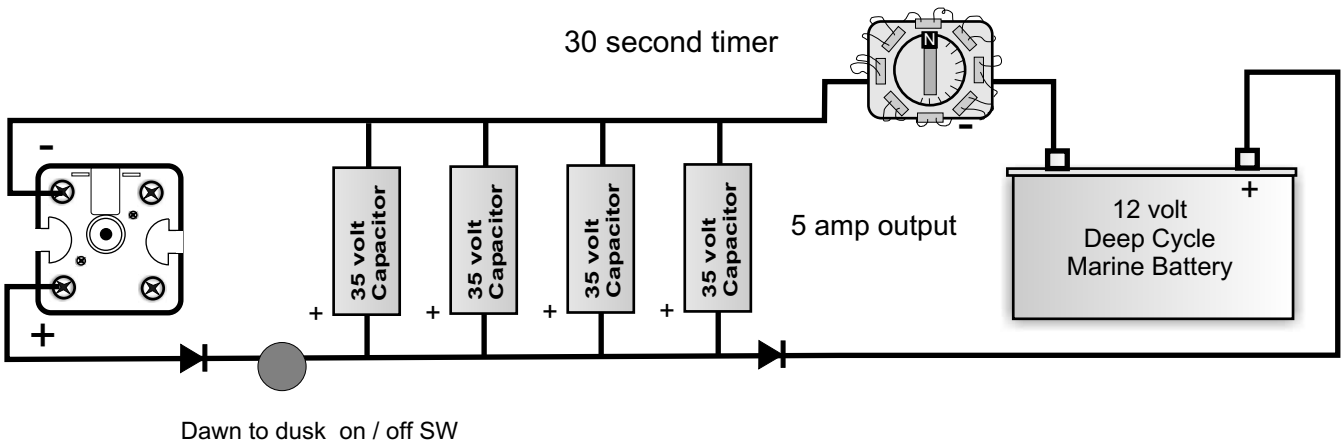


Use a DC Volt meter to find the negative and the positive. **WARNING!** Do not ground the positive to the earth, it will knock out your phone line for about 1 hr!



Using both the negative and the positive of the phone line seems to work best. Use 4 - 35 v x 4700 uf electrolytic capacitors. This can be used as a battery charger using the diode as shown or a com / sw switching method as seen in our Fuelless Engine plans or you can simply use a hand wind timer with a strong magnet glued or taped to the handle and using multiple reed switches. Or power a low volt, low milliamp 4 PDT relay using the earth power (see plans #459 \$29.95) or our #396 homemade batteries \$16.95

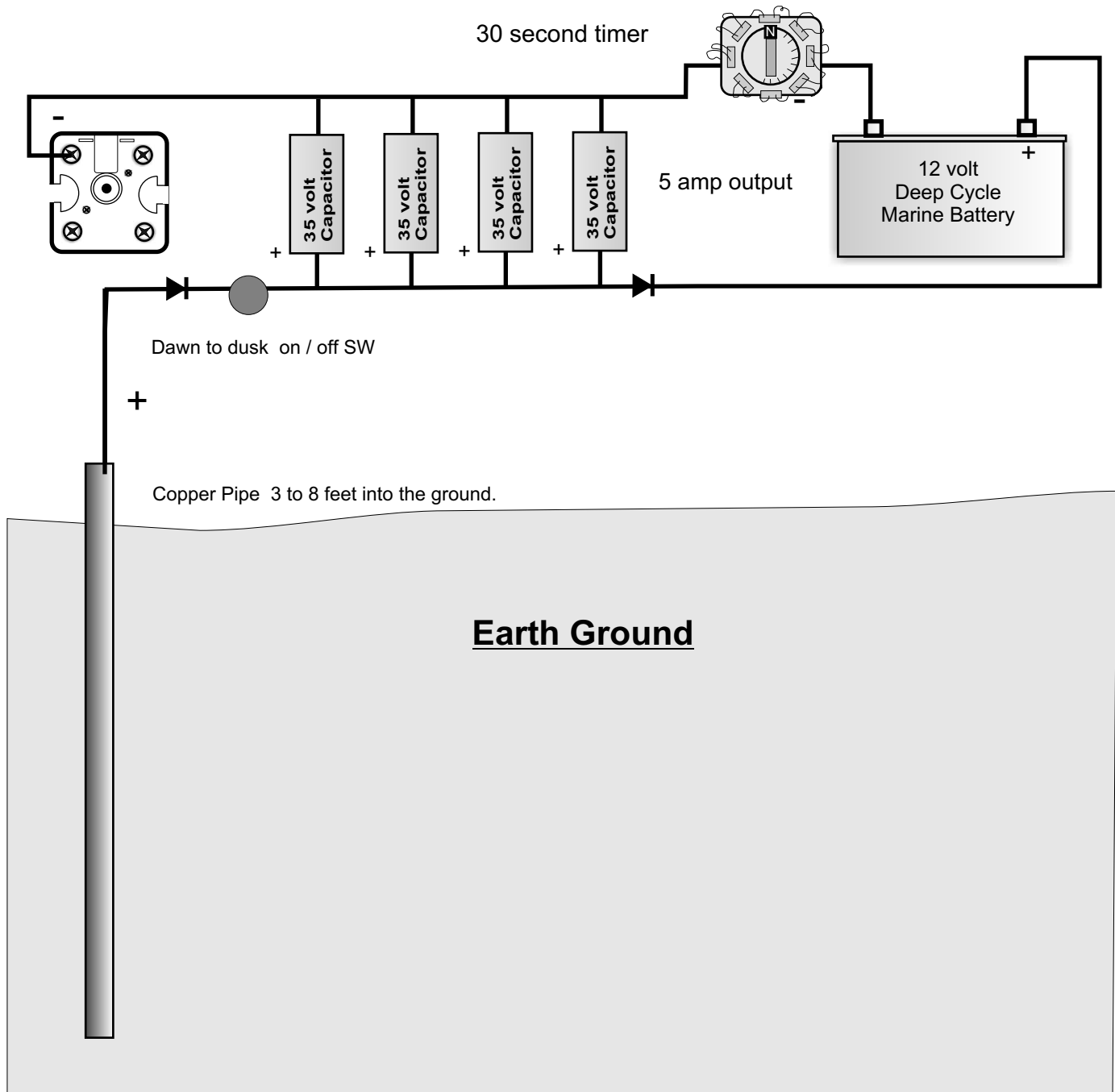
Many homes have 2 phone lines, you can use both lines to get 100 vdc with double the amperage output! Use 4 - 150 v x 4700 uf capacitors instead, you can then light a 100 watt bulb, or pulse the 100 volts into a 15,000 volt neon transformer to get a 14,000 vac out put to power several neon bulb tubes or flourescent bulbs.



If you wish to build your own hand spring timer and relays you can buy material at www.smallparts.com



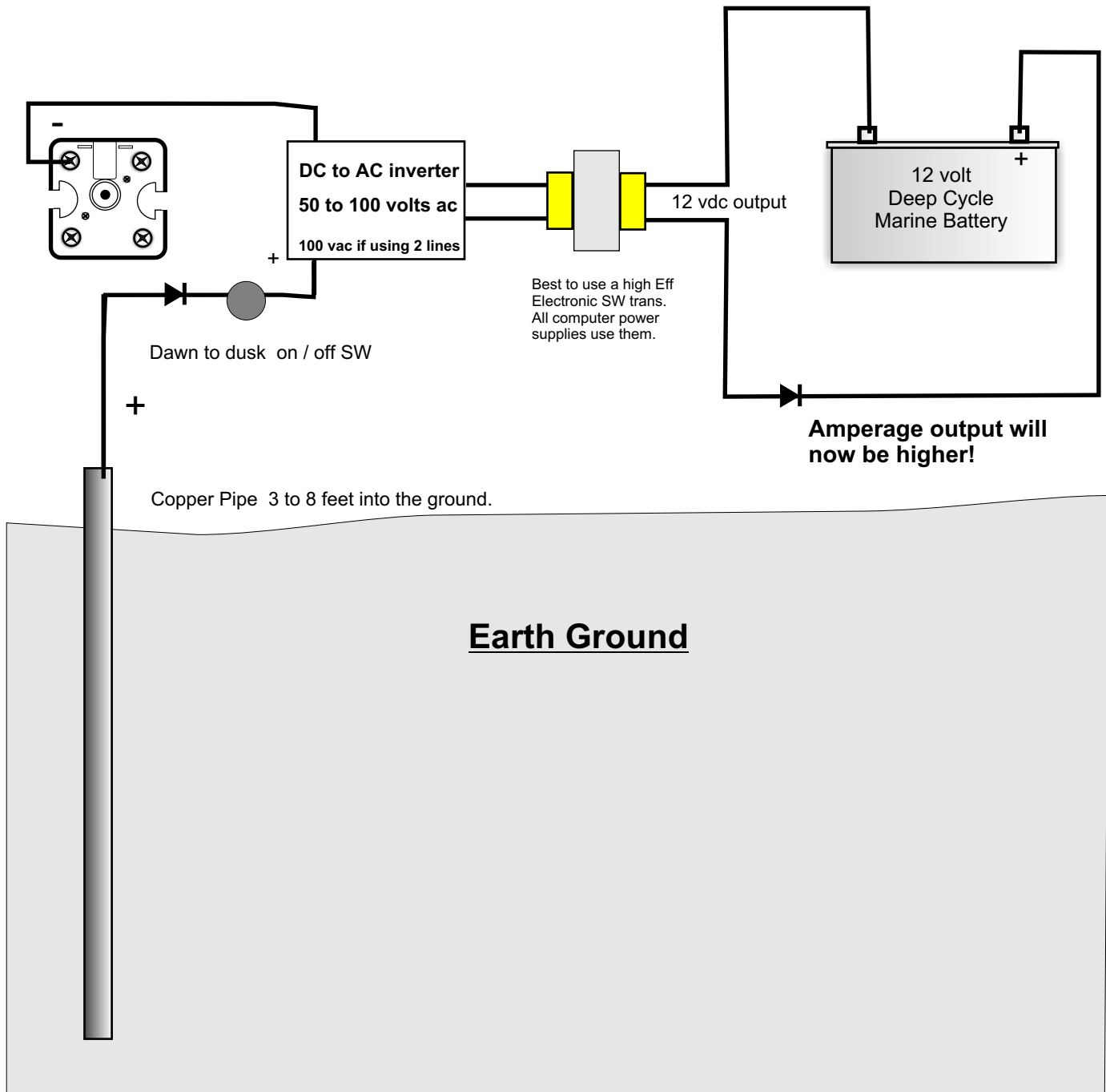
Grounding to Earth



If you wish to build your own hand spring timer and relays you can buy material at www.smallparts.com



Grounding to Earth



If you wish to build your own hand spring timer and relays you can buy material at www.smallparts.com



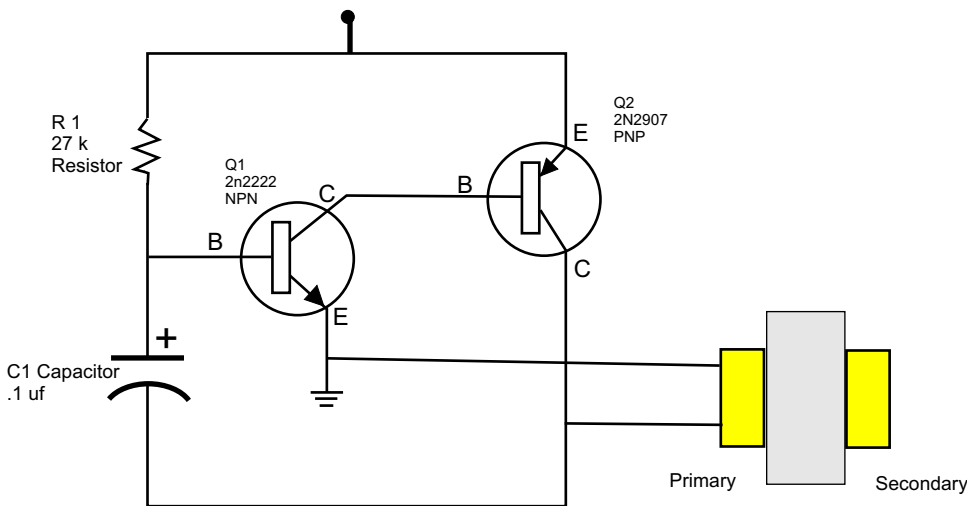
A Simple but effective Inverter

A simple but very effective inverter that you can build if you know how to handle a soldering gun. Parts can be purchased at any radio shack store or electronic supply house. Search the web. When I say search the web, you would not believe how many people do not know what I am talking about so I will explain it. You can find just about anything you need on the web. If you have AOL.com then that is a search engine as well as Google.com, Yahoo.com etc.. They are all powerful search engines, you simply type in a word in the search the web white address bar, for example: Looking for capacitors, Type in capacitors or electronic parts and supplies. You can also buy beginners books in electronics from any Radio shack or on line store to quickly help you learn how to put this inverter together, some suppliers sell HV inverter kits.

The 50 vdc must be changed to ac voltage current or it will not work (step up voltage) into a step up transformer or diode / capacitor step up multiplier circuit.

High Voltage Power supply / DC to AC Inverter

Rated for 1.5 to + 9vdc if using 50 vdc or 100 find cap and transistors rated for that voltage or more, or you will burnout trans



T1 = 6.3 v x 120v transformer This circuit will produce about 220 volts. Use a 1m resistor for higher volatges.

We found this cicuit in an old electronics book, it is for low voltages but you can replace the parts with higher rated parts so they will work on higher amperages or higher voltages.



Creative SCIENCE

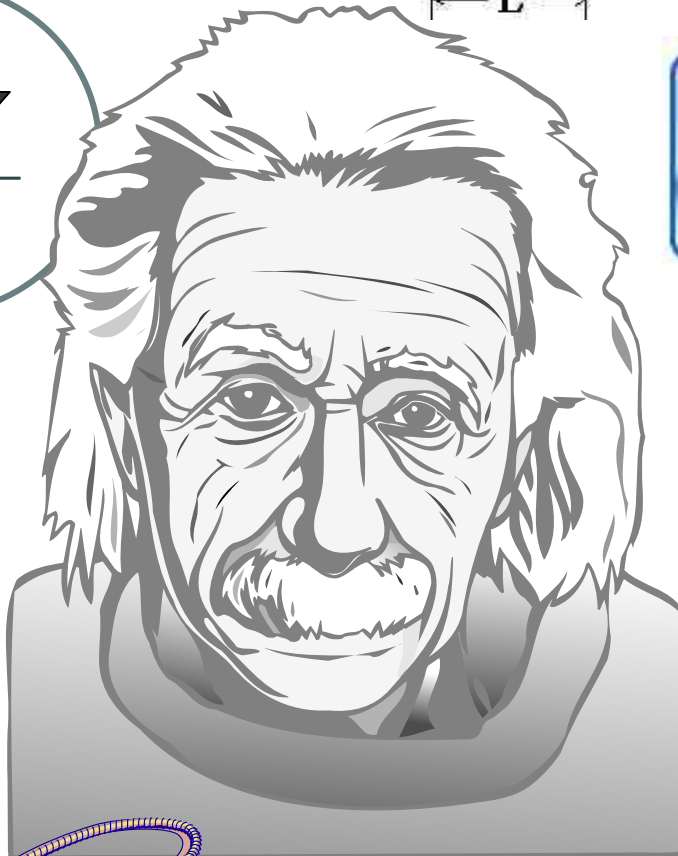
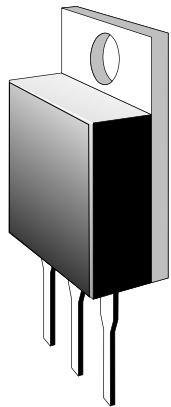
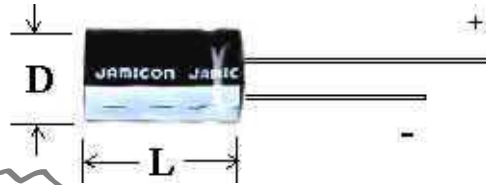
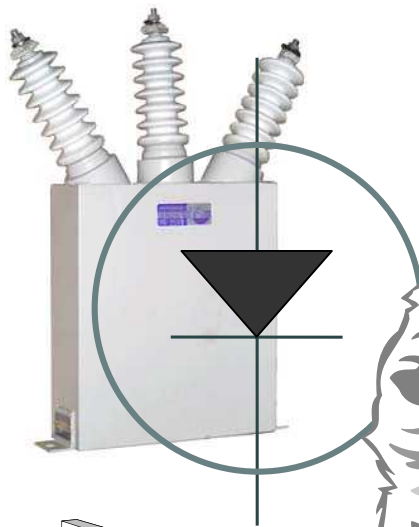
& Research

Copyright 2002 - 2004 Creative Science & Research



● PO BOX 557 New Albany, IN. 47151 USA

Information Big Brother & the Oil Companies do not want you to know!



2004



Time is running out

Search for:

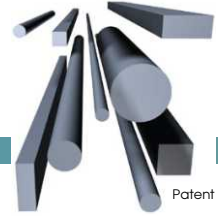
www.fuellesspower.com

Copyright 2002 - 2004 Creative Science & Research



INTRODUCTION

CREATIVE SCIENCE AND RESEARCH "Since 1993"



Patent Pending 2003

Free Energy using Carbon rod,
as well as special Molded Soft Iron Ductal Cores

The reason we made this **catalog** was to raise money for research and development and to also share to the World our findings and discoveries on **The Fuelless Engine**.

All of our research and findings on the topic of free energy have guided us to many other ideas and devices along the way which are included in this catalog, but **none can compare to the Fuelless Engine!** If the whole world uses this **free energy engine** we will all be able to free ourselves from the Gas, Oil, and Electric companies that now hold us prisoner. By the year 2020 every home should have their own power plant, and we will do everything in our power to make this happen.

This engine will run forever with a once a year maintenance check, and will provide **FREE ENERGY** for the rest of your life.

If you are a skeptic and find Free Energy and Perpetual motion a little hard to believe then consider this, The earth is **FREE ENERGY** in a perpetual motion state. Hydrogen and oxygen atoms are **FREE ENERGY** constantly being reused over and over. A coil of wire induced by a DC current and then turned off will produce **Free energy from a collapsing magnetic field**. HV Capacitor's play a very important roll as well..... Solar Cells are free energy devices but they have there limitations, they can only operate when sunlight is present, but our devices are far greater than solar cell technology and can operate 24 hrs a day 7 days a week.

We take what we do very seriously! We would not sell anything that we did not first test ourselves. I personally believe 100% in what we sell. **Our plans are Guaranteed to work or your money back!**

Free Energy is everywhere, don't be left in the dark.

Thank you
David Waggoner

David Waggoner

Owner / Research and Development

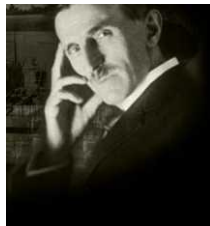
Creative Science & Research
PO BOX 557
New Albany, IN. 47151 USA

sales@fuellesspower.com

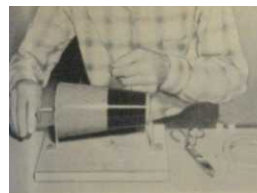
www.fuellesspower.com

www.fuelless.com

www.fuellessengine.com



Nikola Tesla



Tesla Coil



The Fuelless Engine

Copyright 2002 - 2004 Creative Science & Research

● **Free Energy** ● **Free Electricity for your home or car!**

FREE POWER! For your home, garage or car!

The US Government nor the Oil Companies will not let us or anyone else manufacture these powerful engines right now, (They say it could destroy our economy?) But if we can slowly introduce these devices to the world I think we can convert every home and automobile to run on free energy by the year 2020, I believe it could be done safely and would not hurt our economy at all. That's where you come in, We need backyard researchers just like yourself, to build our device(s), use them, and keep them confidential! We have made it as easy for you to build using our easy to follow plans.



2' x 2' x 1' **350 Hp**

Many years of research went into designing this engine. There is no other engine like it. You can scale these plans up or down to build any size horsepower that you want..

THIS ENGINE CREATES IT'S OWN POWER, *It does not run on any type of gasoline, oil or any other type of combustibile fuel. It has a high free energy output! Guys, if you do not get these plans now you will be kicking yourself in the pants tomorrow! This is the engine that every free energy researcher is talking about!*

EASY TO BUILD STEP BY STEP PLANS / BLUE PRINTS

MANY MAGAZINE ARTICLES HAVE BEEN WRITTEN ON OUR ENGINE! You may have read about us in the 1996 July Issue of Exotic Research magazine. Popular Science has done many articles on free energy in the early 1940's and 50's, I'm sure before **BIG BROTHER** asked them to stop!

Plans Only **\$16.95**

1 - 50 hp Order # 362

**GUARANTEED TO WORK
OR YOUR MONEY BACK!**

50 to 350 hp plans only \$40.00 Order#362rc



Video Only **\$29.95**

Order # 361

Creative Science & Research P.O. BOX 557 New Albany, IN. 47151

Once we teach you the secrete in building this engine You can then design and build this engine to any HP you desire.

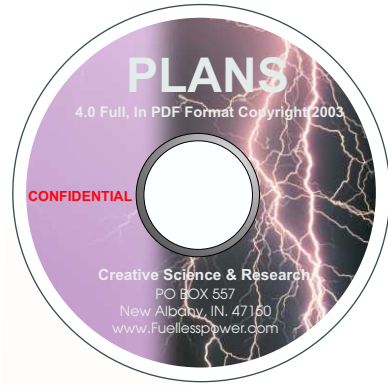
Copyright 2002 - 2004 Creative Science & Research

All Our Plans are Now on CD!

FREE ENERGY MOTORS & GENERATORS

*** CONFIDENTIAL INFORMATION!**

For Selected Customers Only!



As requested by many of our customers!

*** Information The Oil Companies and Big Brother Do Not Want You To Know!**

We are now offering our entire web site and catalog of Free Energy Plans for only **\$300**

You save over **\$200** (a \$500.00 value)
Order # CD Package # 1

*** LOADED with information! Packed full of color photo's, More information! etc....**

Plans are sent to you on a CD Computer Disk, which you can then view or print from your computer.

PDF format for Adobe Reader Computer Program. If you do not have Adobe Reader 4.0 It is FREE for downloading at www.adobe.com

* Please add \$3.95 for US Priority Shipping which includes online tracking

*** Guaranteed To Work Or Your Money Back!**

Other CD Packages Available: See our web site order form, Bottom page
www.FuellessPower.com

Please Send a Check or Money Order To:

Creative Science & Research
PO BOX 557 New Albany, IN. 47151 USA

www.fuellesspower.com or www.fuelless.com

NOTICE: Most of our plans can are now available by E-mail Download