

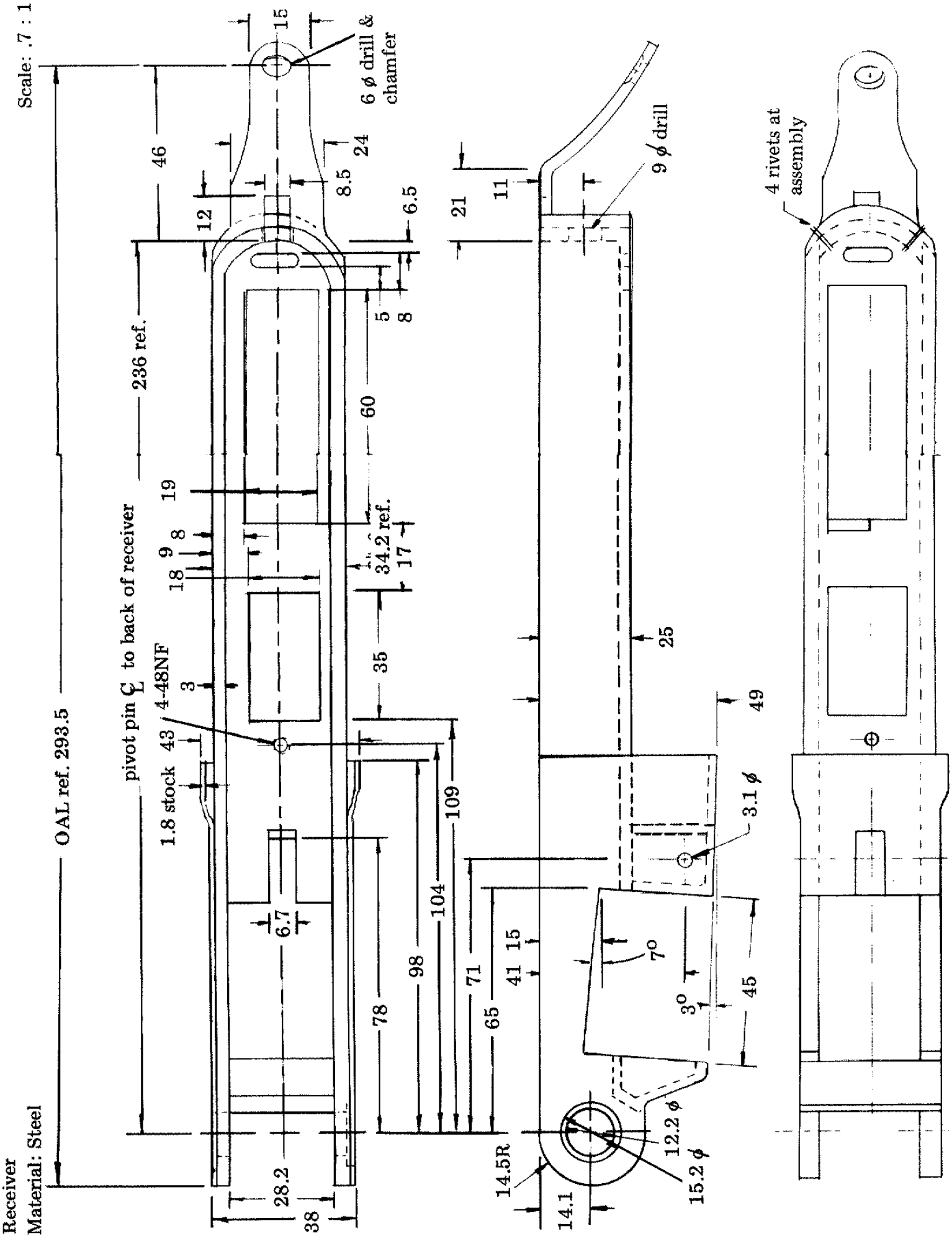
## PPSh 41

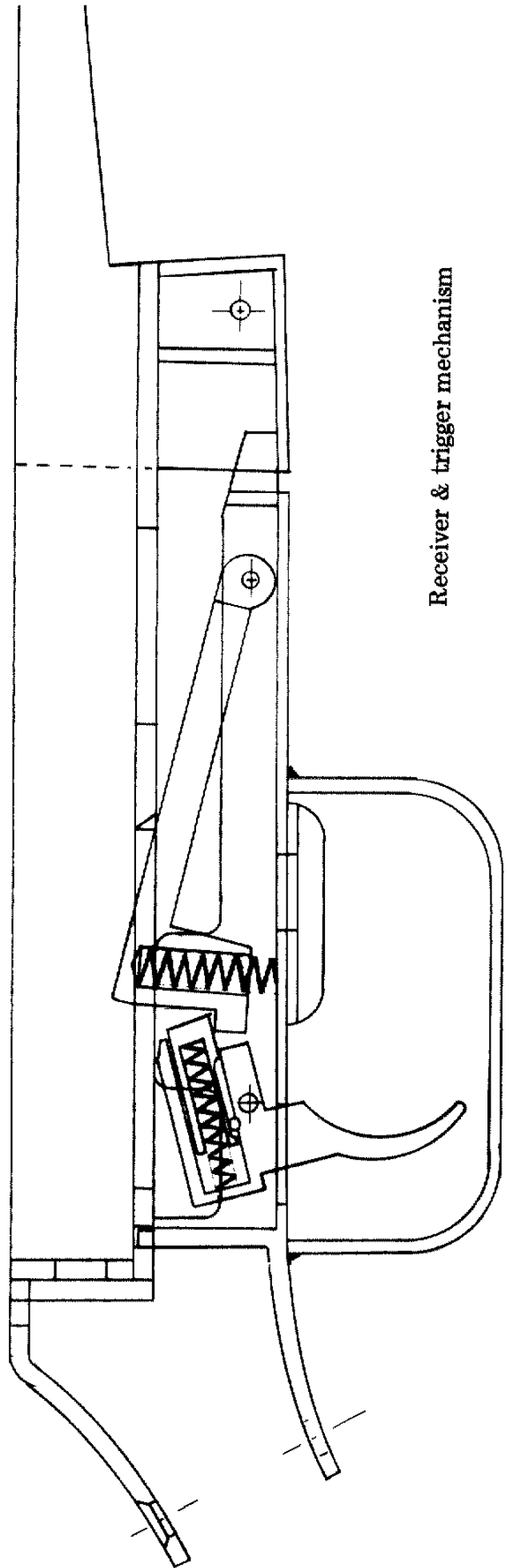
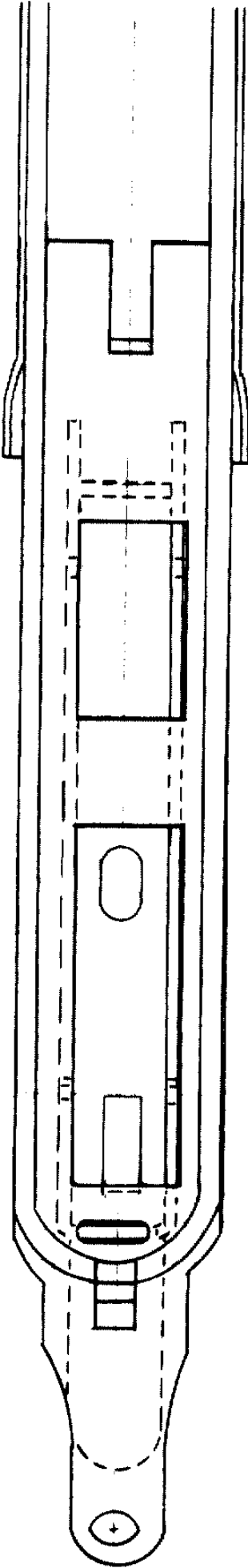
USE	PINS	
	PIN DIA. (mm)	PIN LENGTH (mm)
Magazine latch	2.8	38
Firing pin	4.0	32
Receiver latch	5.0	40
Rear sight	3.0	24
Magazine latch pivot	2.5	9

USE	SPRINGS			
	WIRE DIA. (mm)	SPRING OD (mm)	OAL (mm)	No. COILS
Trigger	0.7	4.5	11.5	7
Trigger plunger	0.6	4.3	35	25
Sear	0.8	6.4	35	15
Selector	1.0	8.3	13	6
Magazine latch	0.5	4.2	13	8
Main	0.91	6.86	200	74
Safety	0.5	3.5	6.5	4
Receiver latch	1.0	4.0	52	

<b>USE</b>		<b>SCREWS TYPE</b>		<b>REQUIRED</b>
<b>Sling plate</b>	<b>Wood</b>	<b>Flat head</b>	<b>6 <math>\phi</math></b>	<b>2</b>
		<b>Body</b>	<b>3 <math>\phi</math></b>	
		<b>Length</b>	<b>15</b>	
<b>Butt plate</b>	<b>Wood</b>	<b>Half round head</b>	<b>10 <math>\phi</math></b>	<b>2</b>
		<b>Body</b>	<b>6 <math>\phi</math></b>	
		<b>Length</b>	<b>25</b>	
<b>Receiver</b>	<b>Machine</b>	<b>Half round head</b>	<b>10 <math>\phi</math></b>	<b>1</b>
		<b>Body</b>	<b>5 <math>\phi</math></b>	
		<b>Length</b>	<b>40</b>	

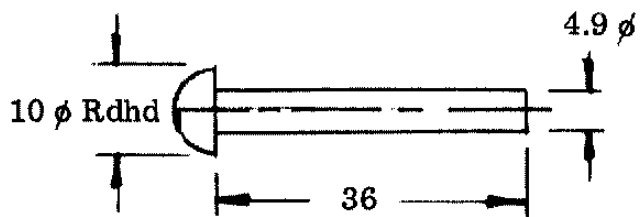
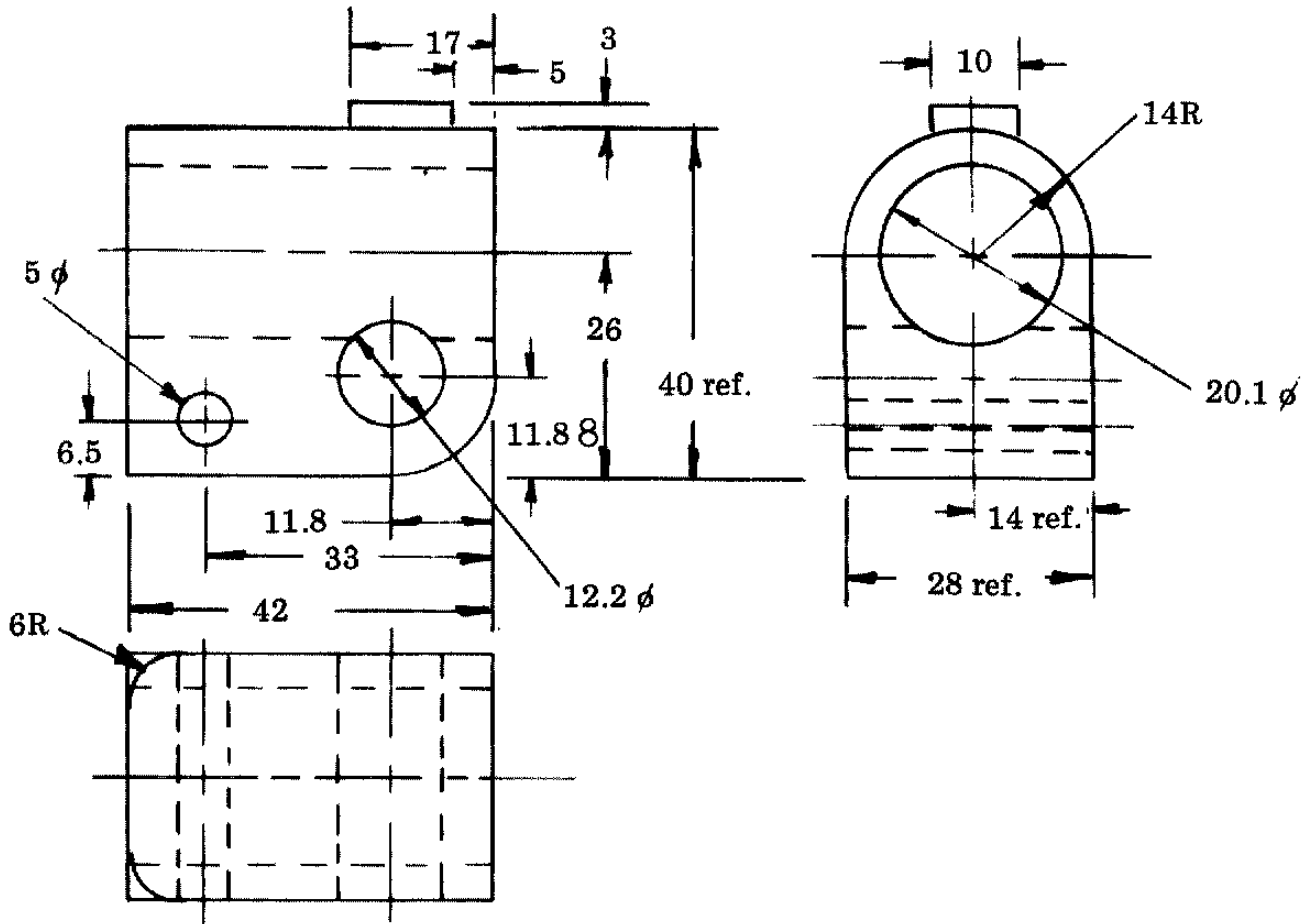
Scale: .7 : 1



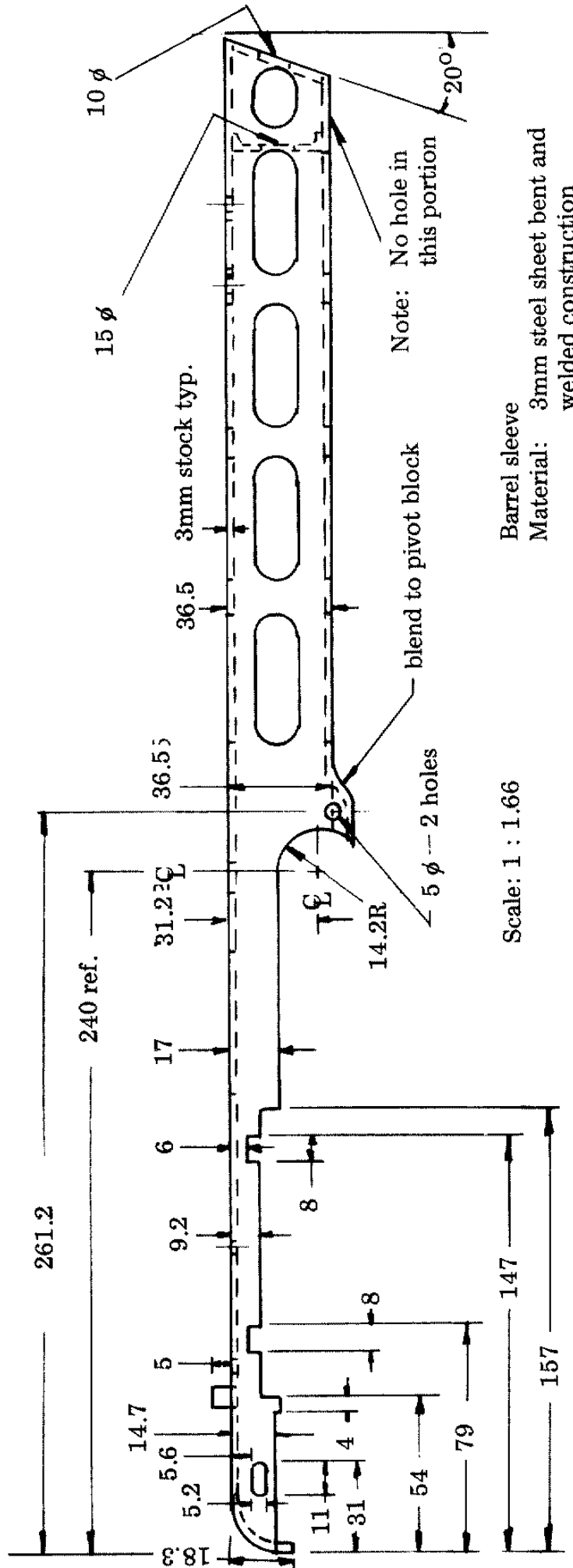
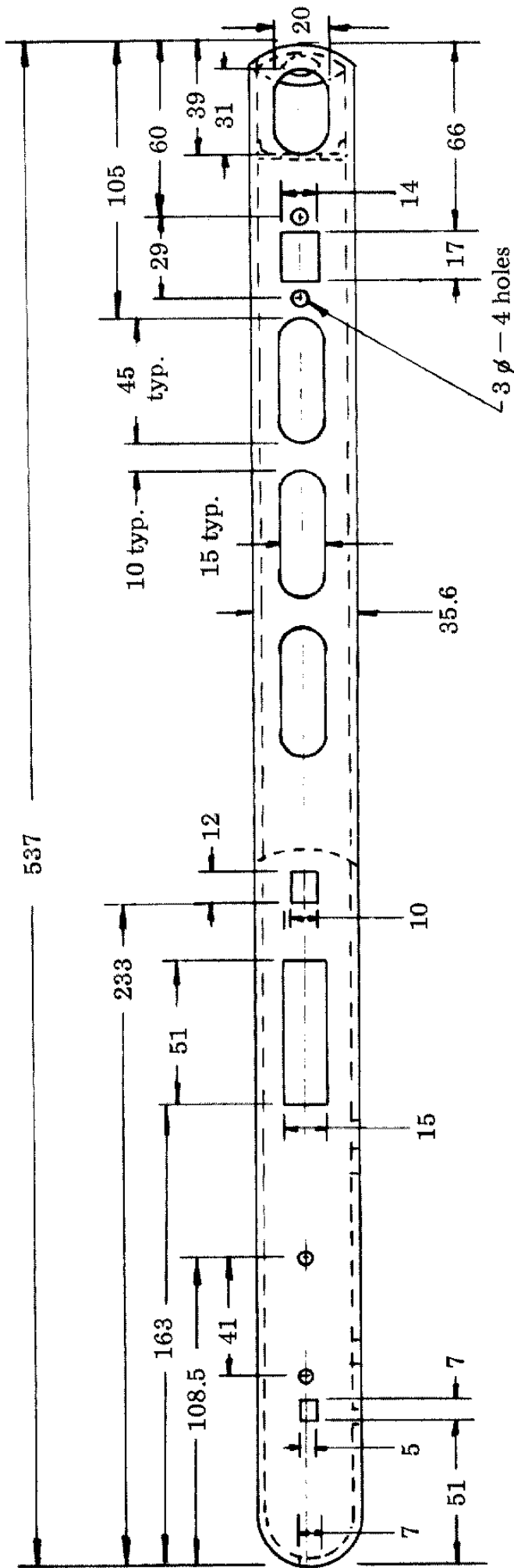


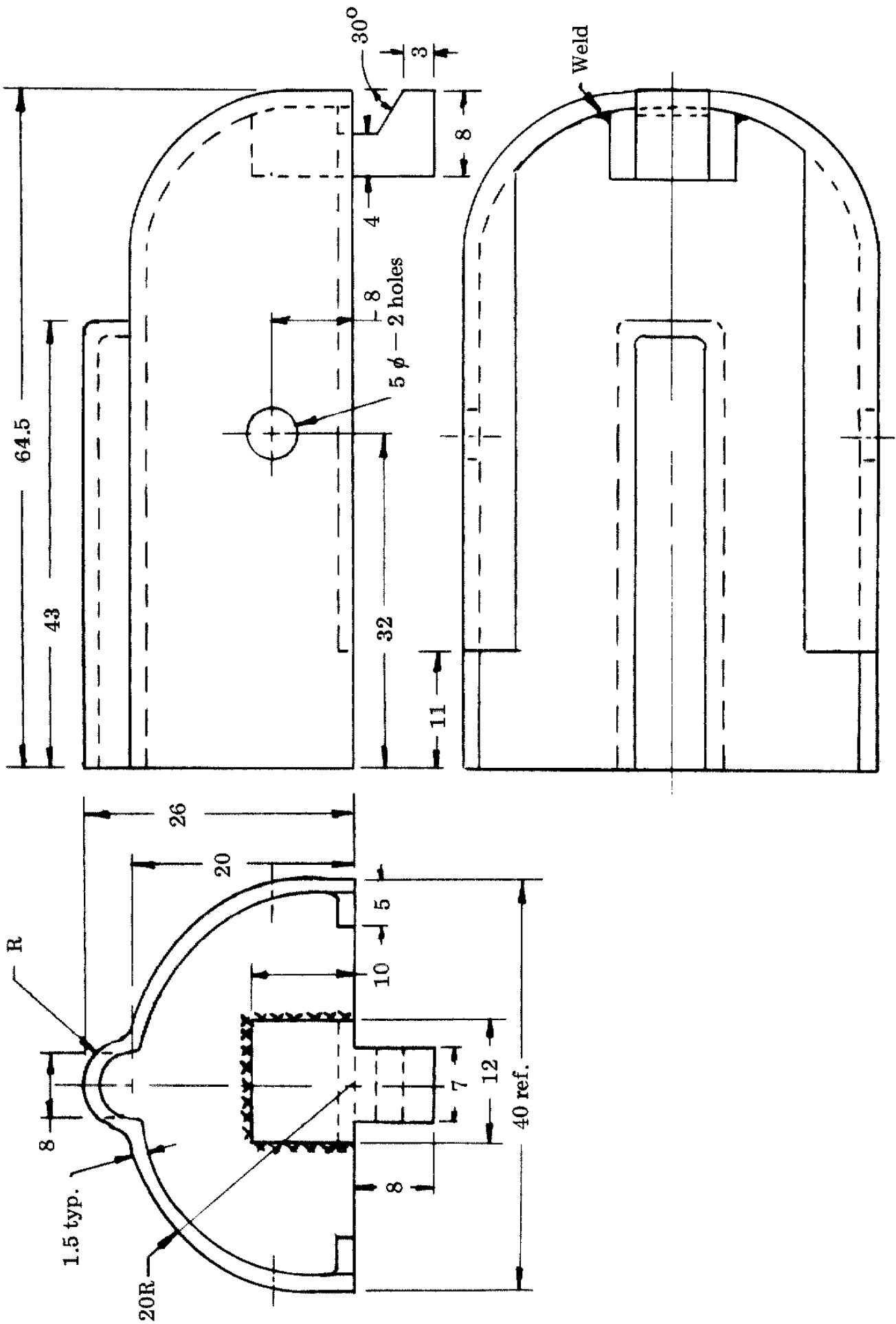
Receiver & trigger mechanism

Pivot block  
 Material: steel  
 Scale: 1 : 1



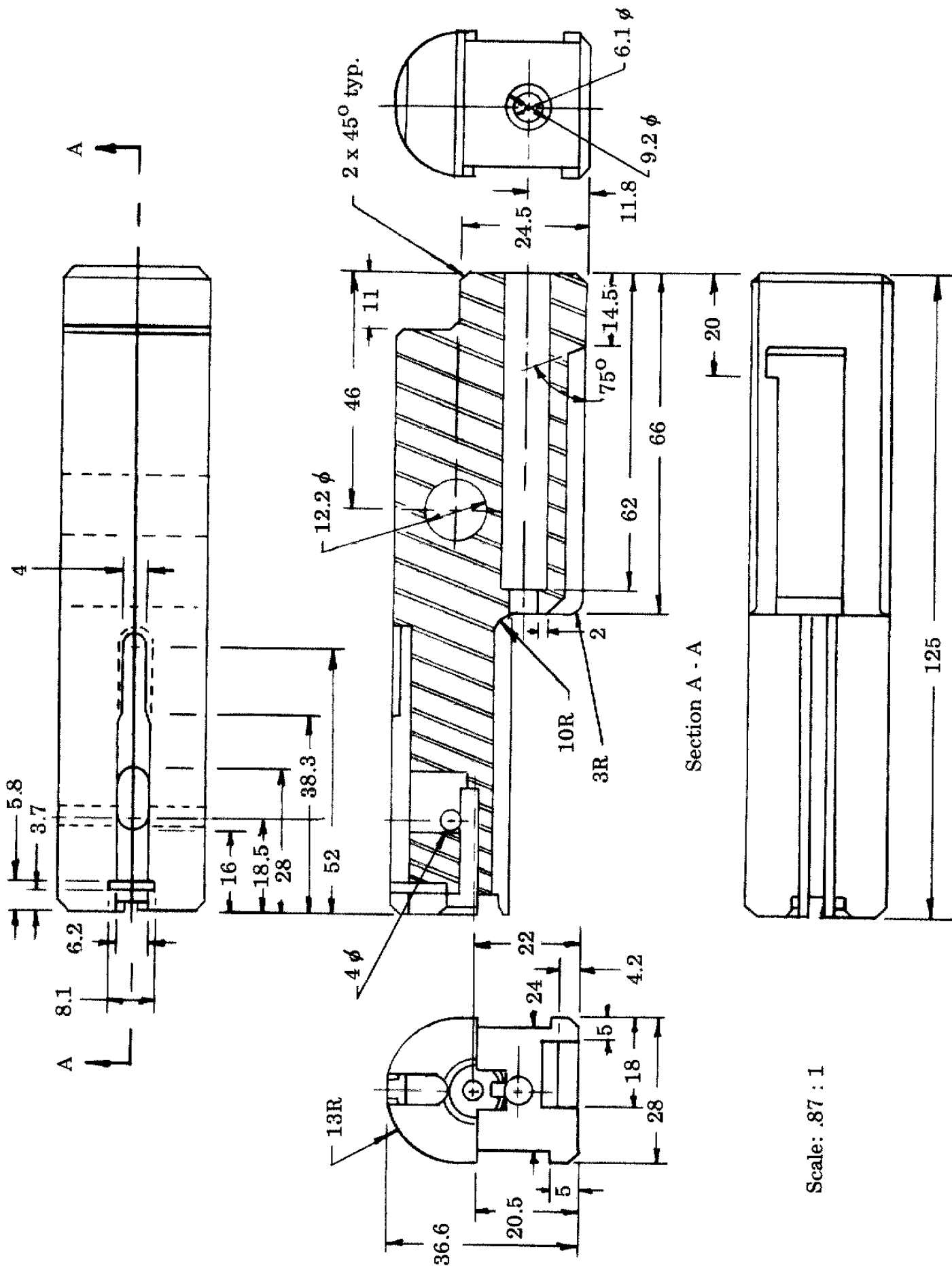
Barrel sleeve rivet  
 Material: steel  
 Scale: 1 : 1





Receiver catch  
 Material: steel  
 Scale: 1.74 : 1

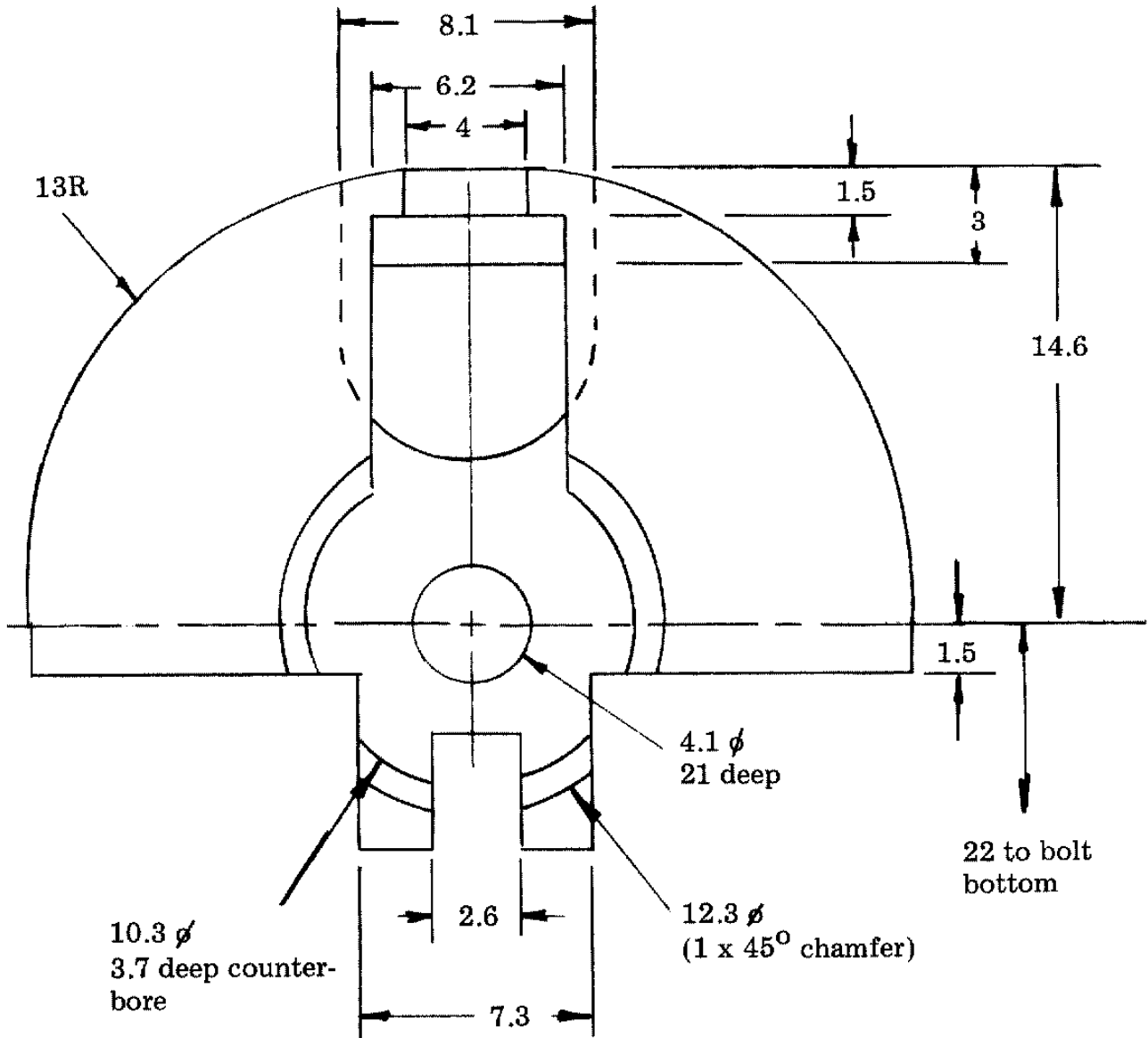
Bolt  
Material: steel

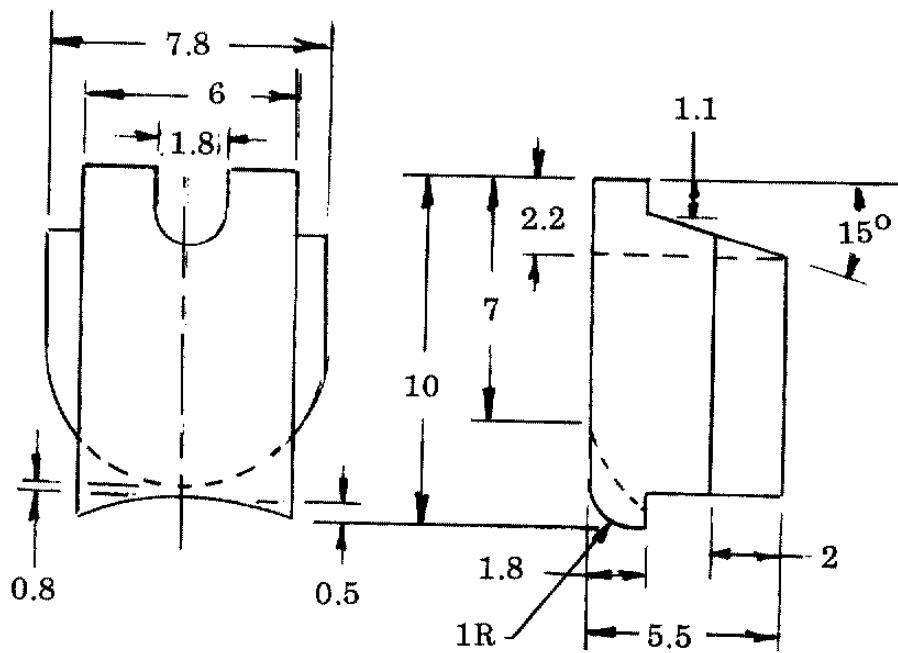


Scale: .87 : 1

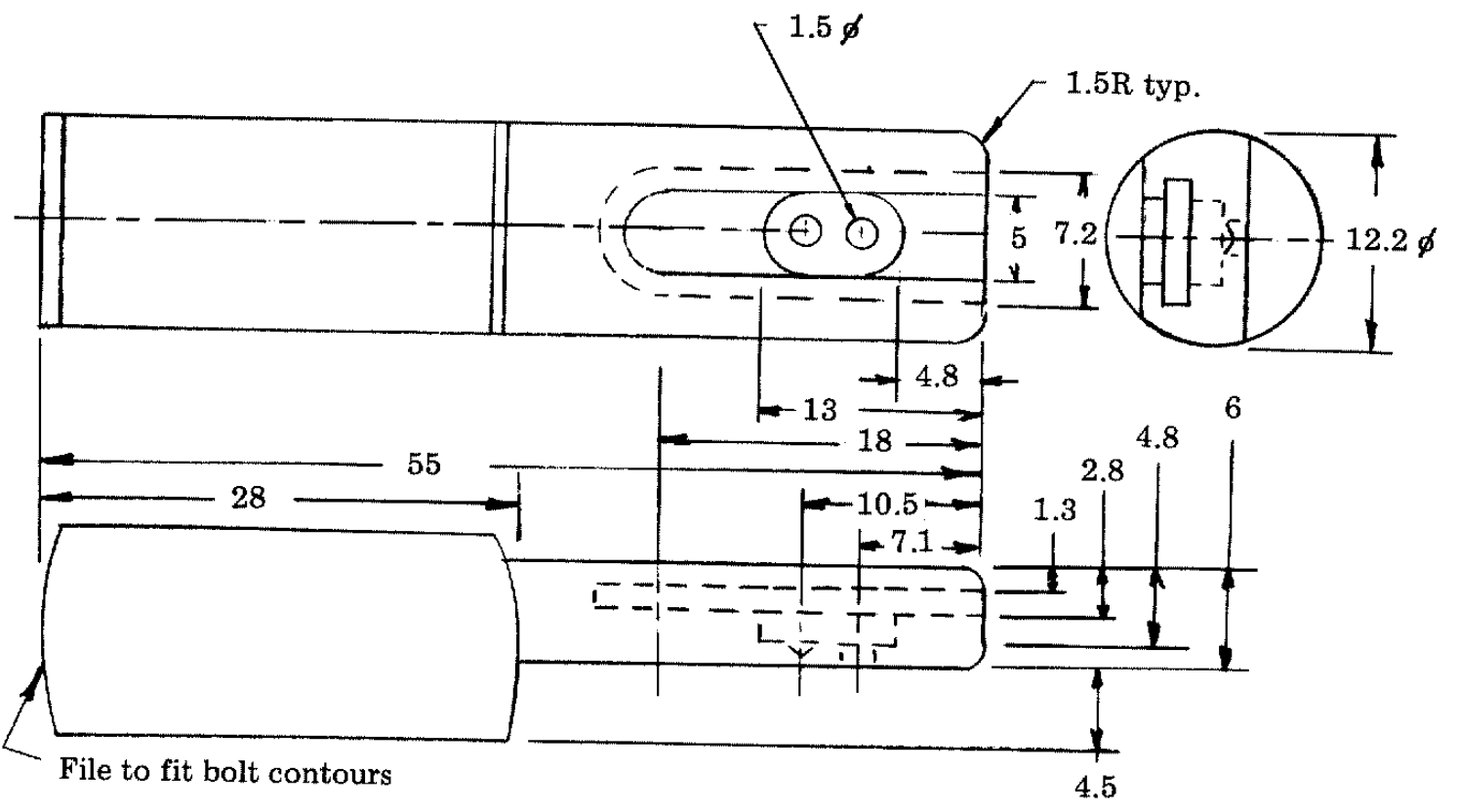


Bolt face detail

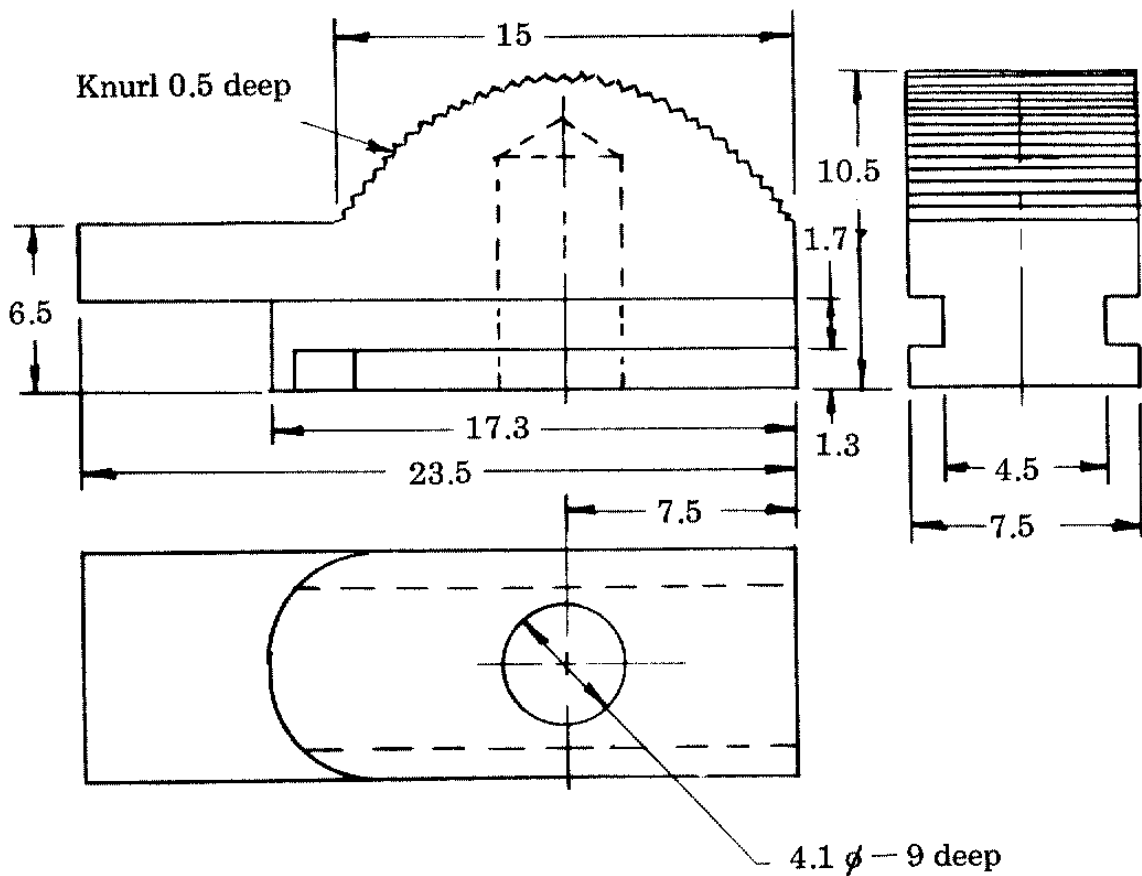




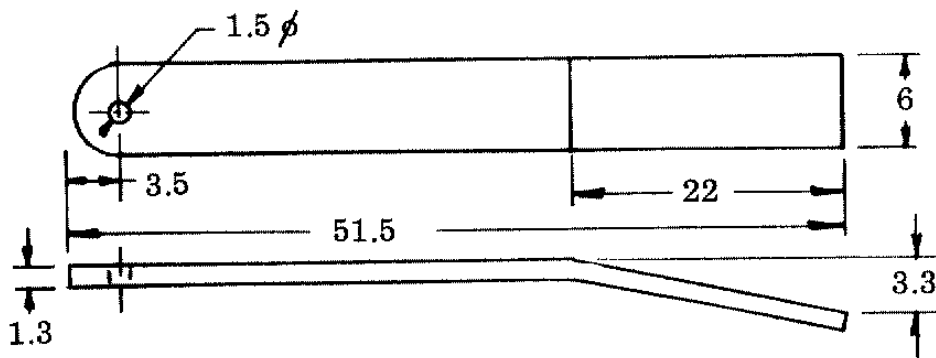
Extractor  
 Material: 4140 steel  
 Rc 52-55  
 Scale: 4 : 1



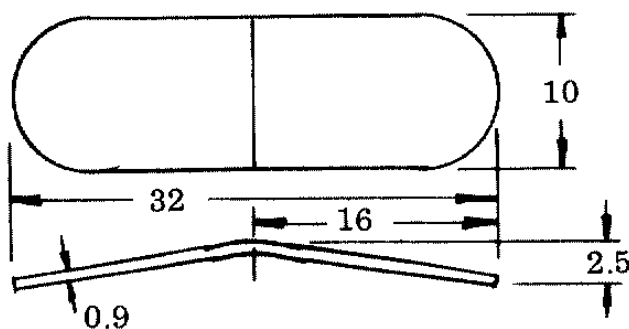
Bolt handle  
 Material: steel  
 Scale: 2 : 1



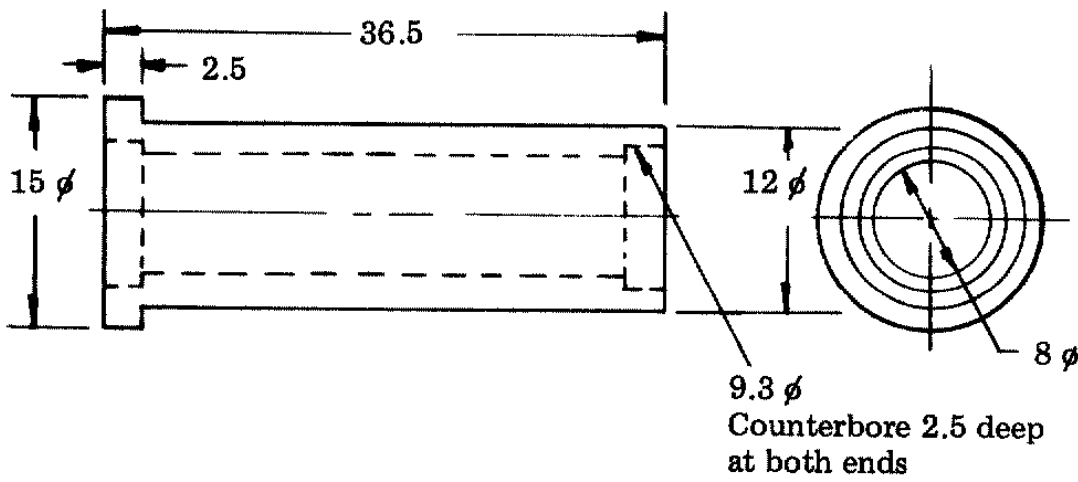
Safety  
Material: Steel  
Scale: 3.48 : 1



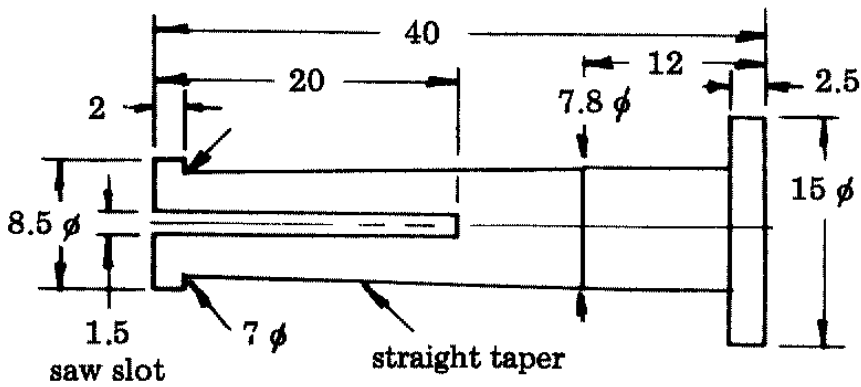
Extractor spring  
Material: spring stock  
Scale: 1.74 : 1



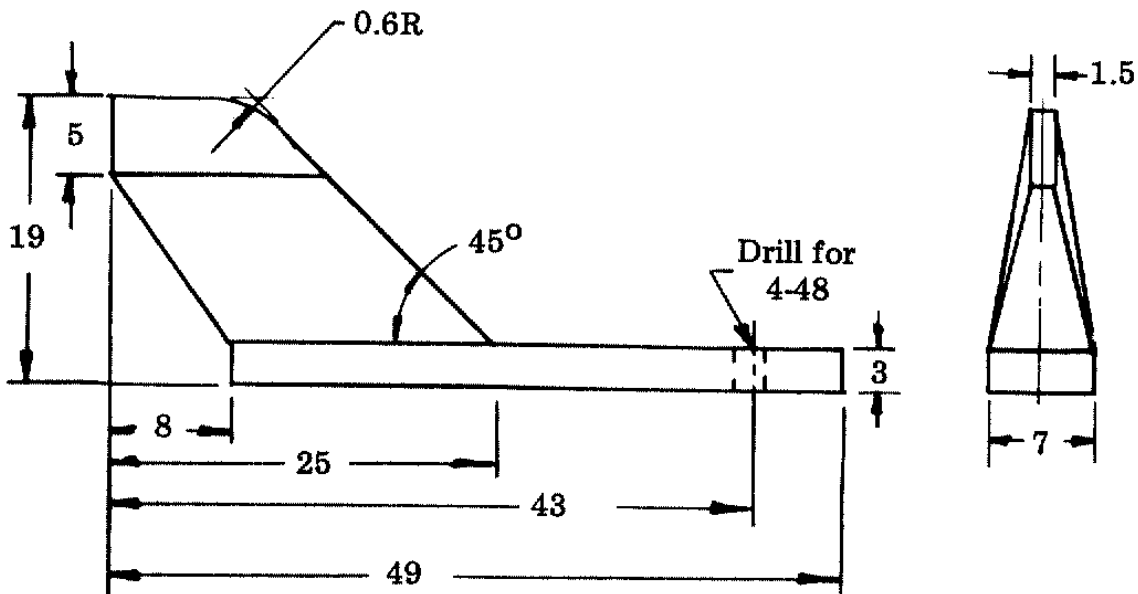
Rear sight spring  
Material: spring stock  
Scale: 1.74 : 1



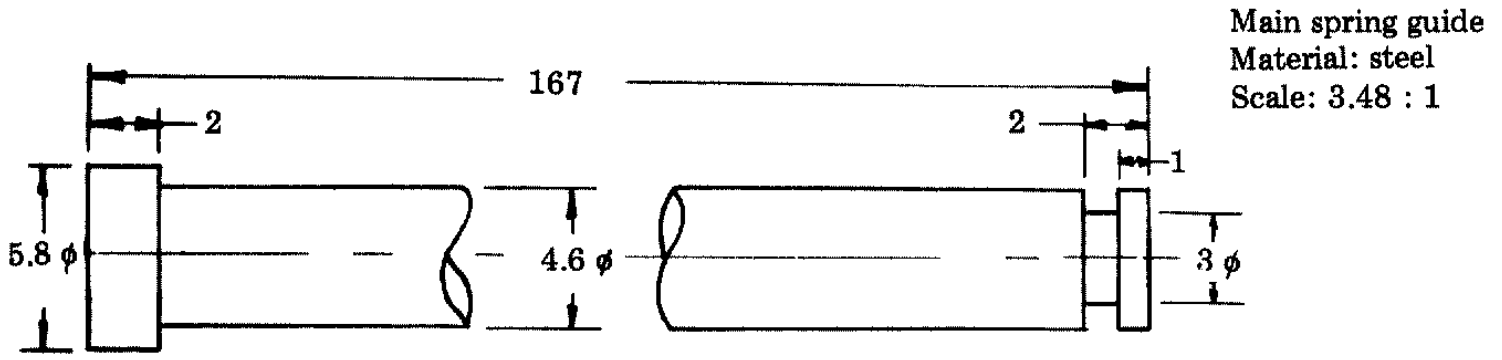
Barrel pivot pin  
Material: steel  
Scale: 1.74 : 1



Barrel pivot pin lock  
Material: steel  
Scale: 1.74 : 1

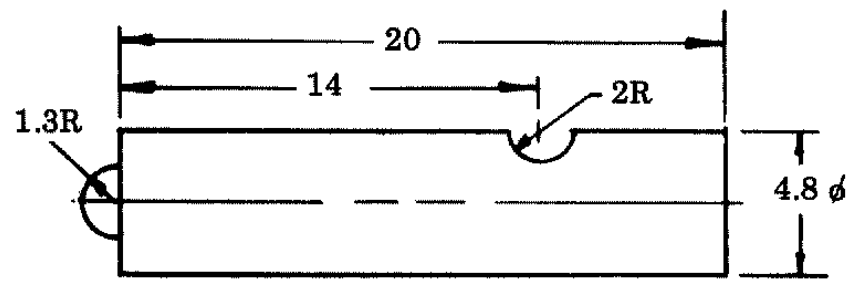
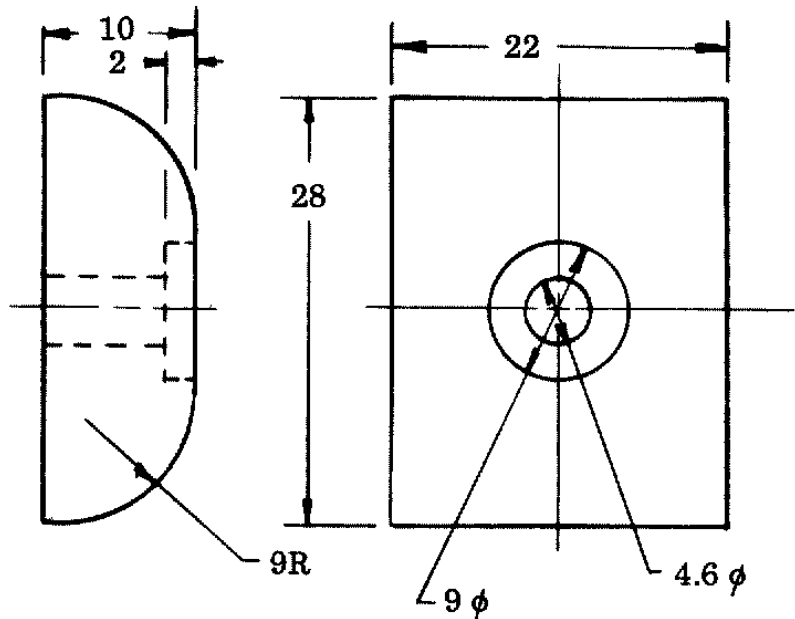


Ejector  
Material: steel  
Scale: 1.74 : 1

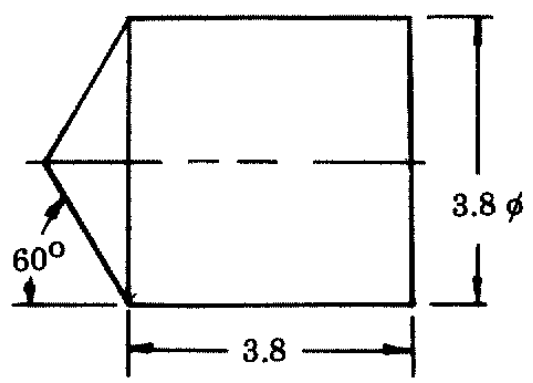


**Main spring guide**  
**Material: steel**  
**Scale: 3.48 : 1**

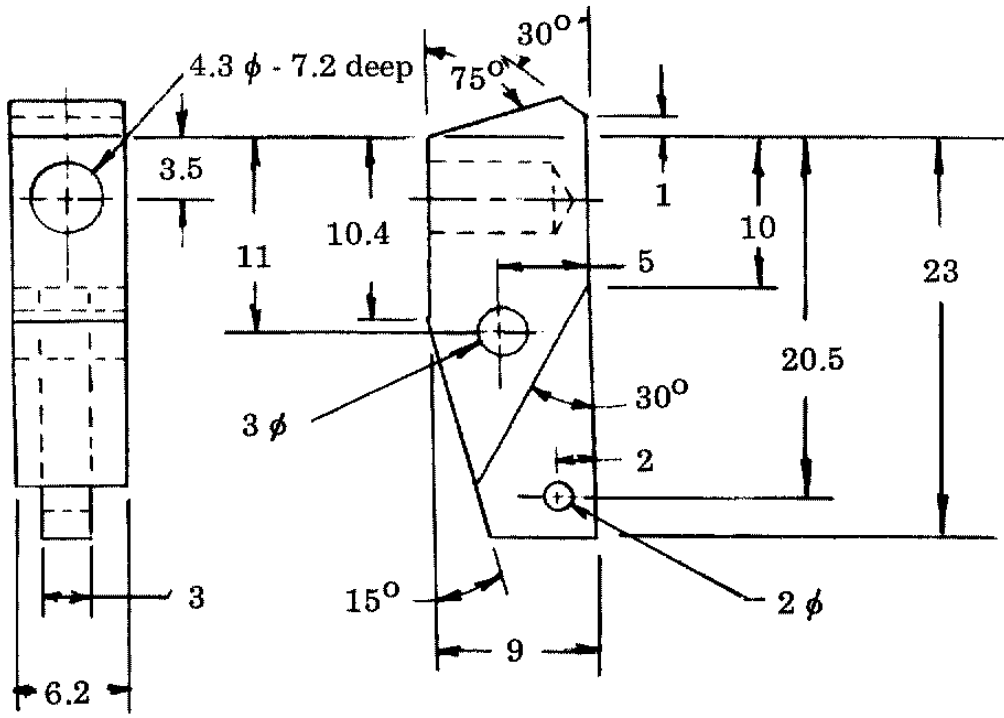
**Bolt buffer**  
**Material: plastic**  
**Scale: 1.74 : 1**



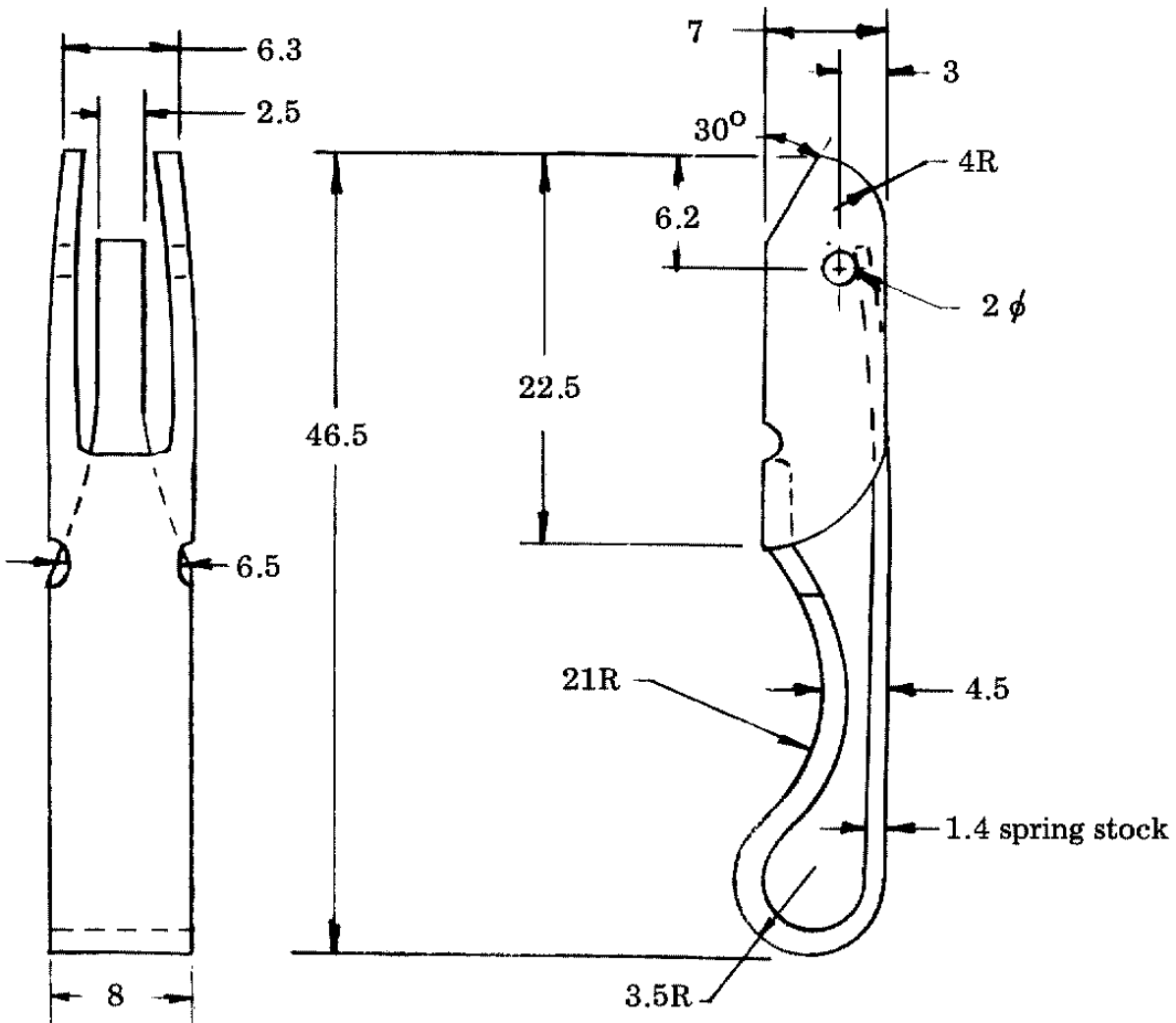
**Firing pin**  
**Material: 4140 steel**  
**Rc 55-60**  
**Scale: 3.48 : 1**



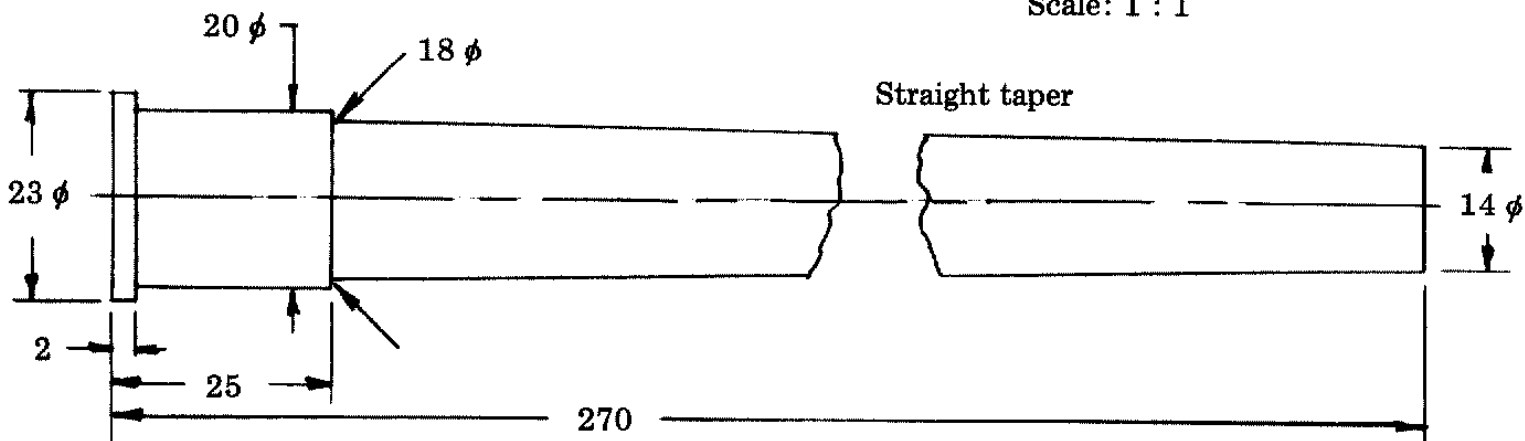
**Safety plunger**  
**Material: 4140 steel**  
**Rc 55-60**  
**Scale: 8.7 : 1**



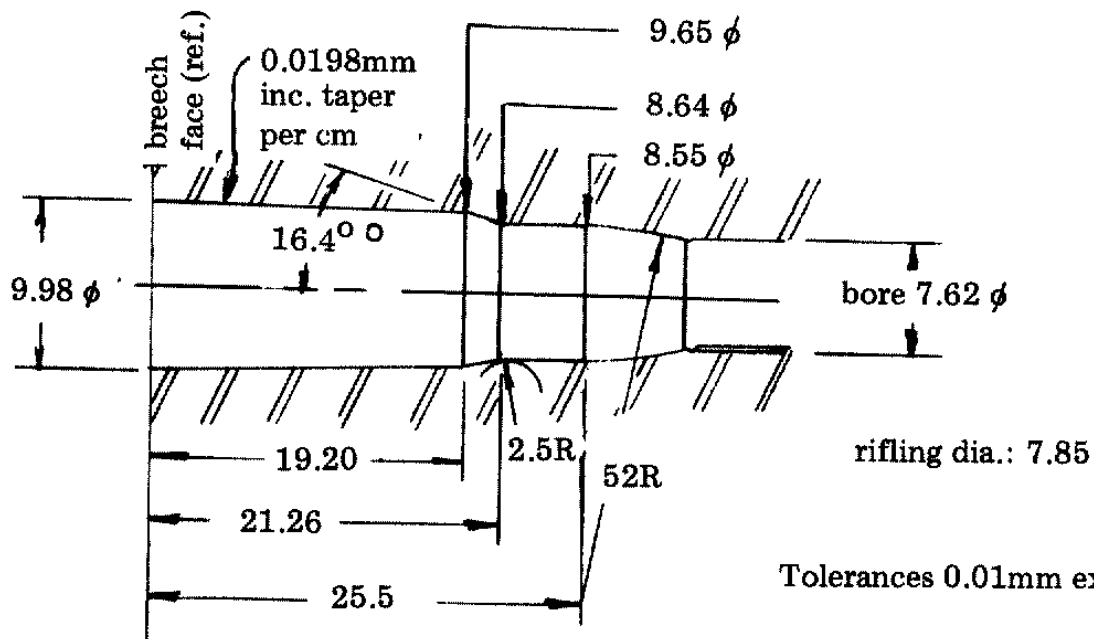
Magazine latch  
 Material: steel  
 Rc 50-55  
 Scale: 2:1

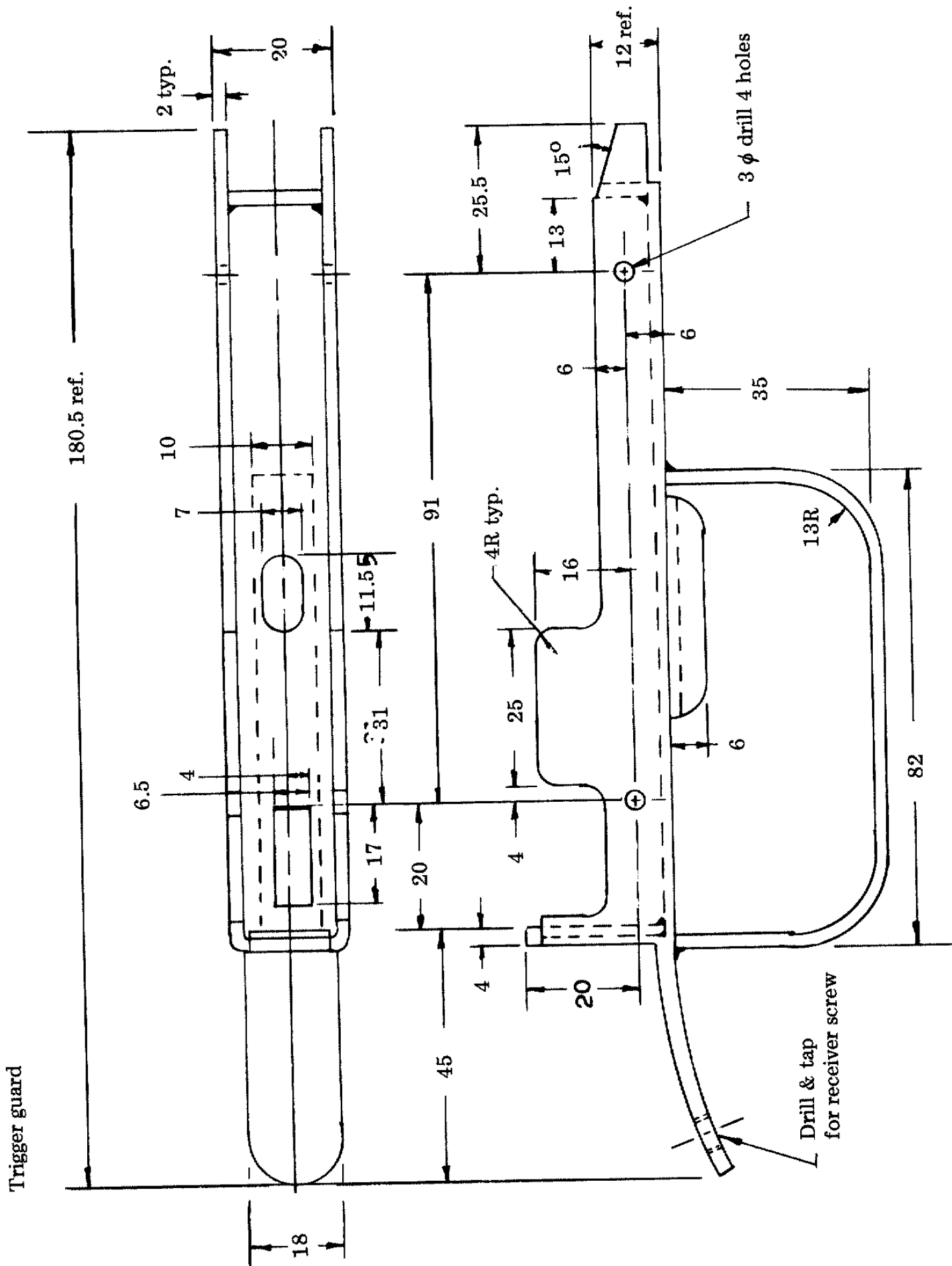


Barrel  
 Material: 4140 steel or equivalent  
 Scale: 1 : 1

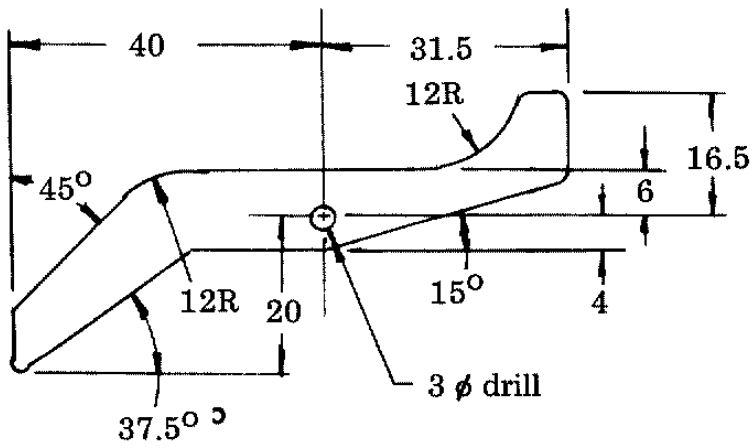


.30 Mauser - min. chamber

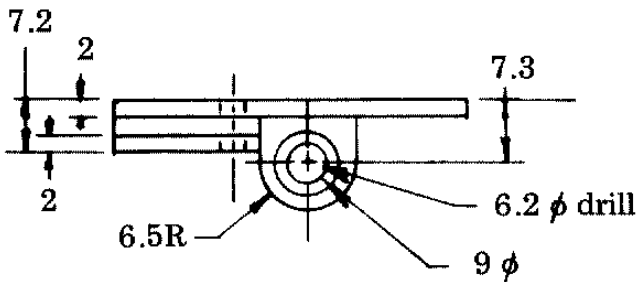




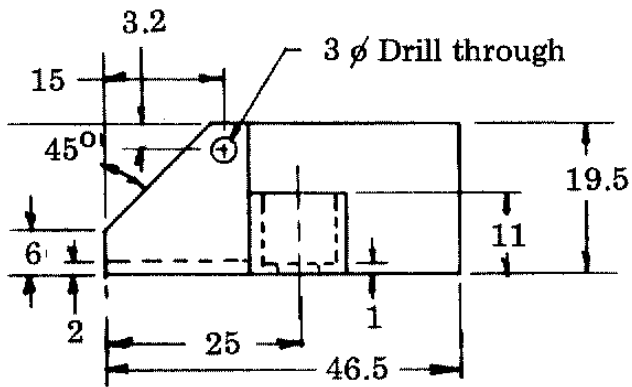




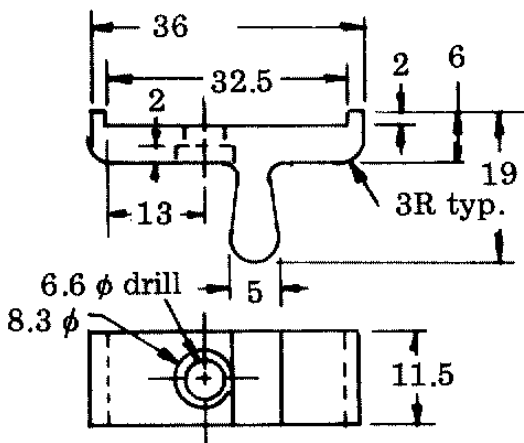
Disconnector  
Material: 3mm thick steel strip  
Scale: .87 : 1



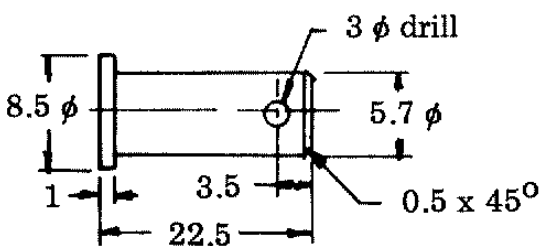
Selector housing  
Material: steel  
Scale: 1 : 1

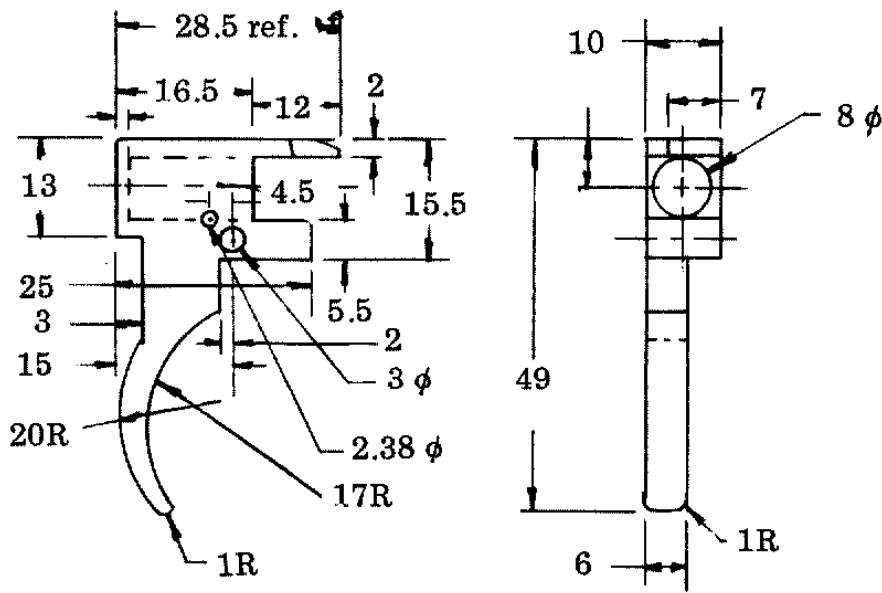


Selector  
Material: steel  
Scale: .87 : 1

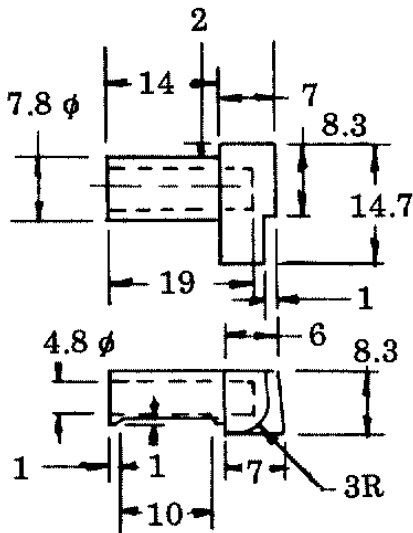


Selector plunger  
Material: steel  
Scale: .87 : 1

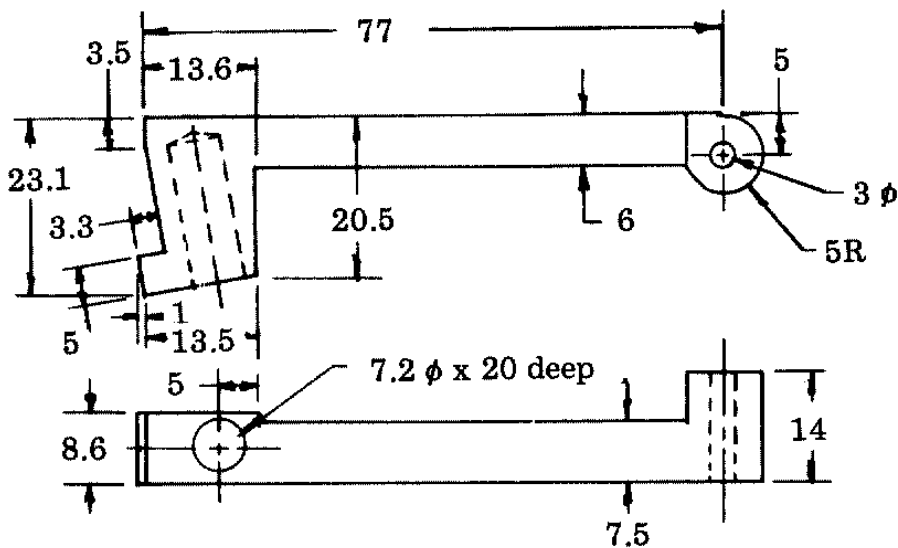




Trigger  
Material: 4140 steel or equivalent  
Scale: .87 : 1

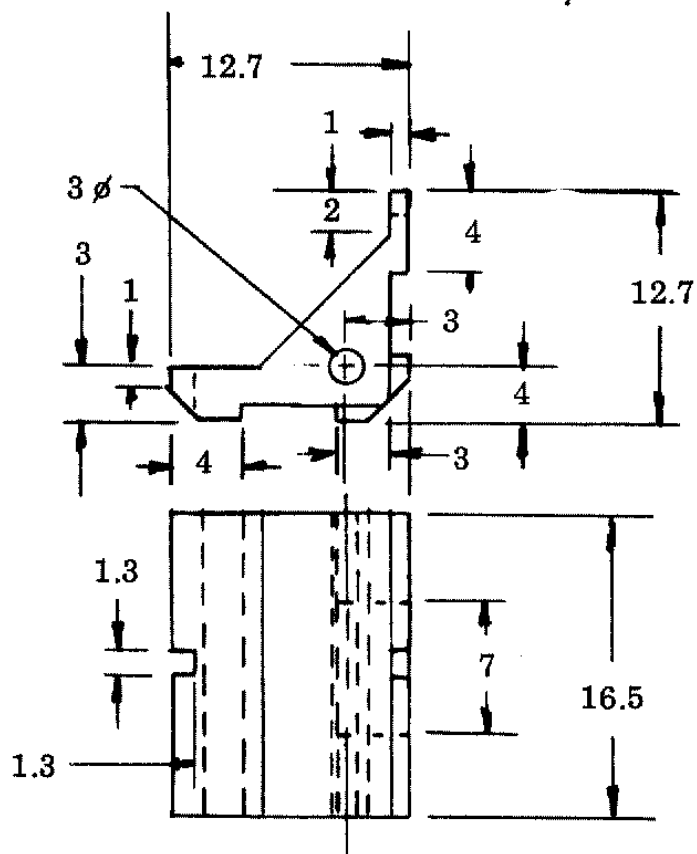
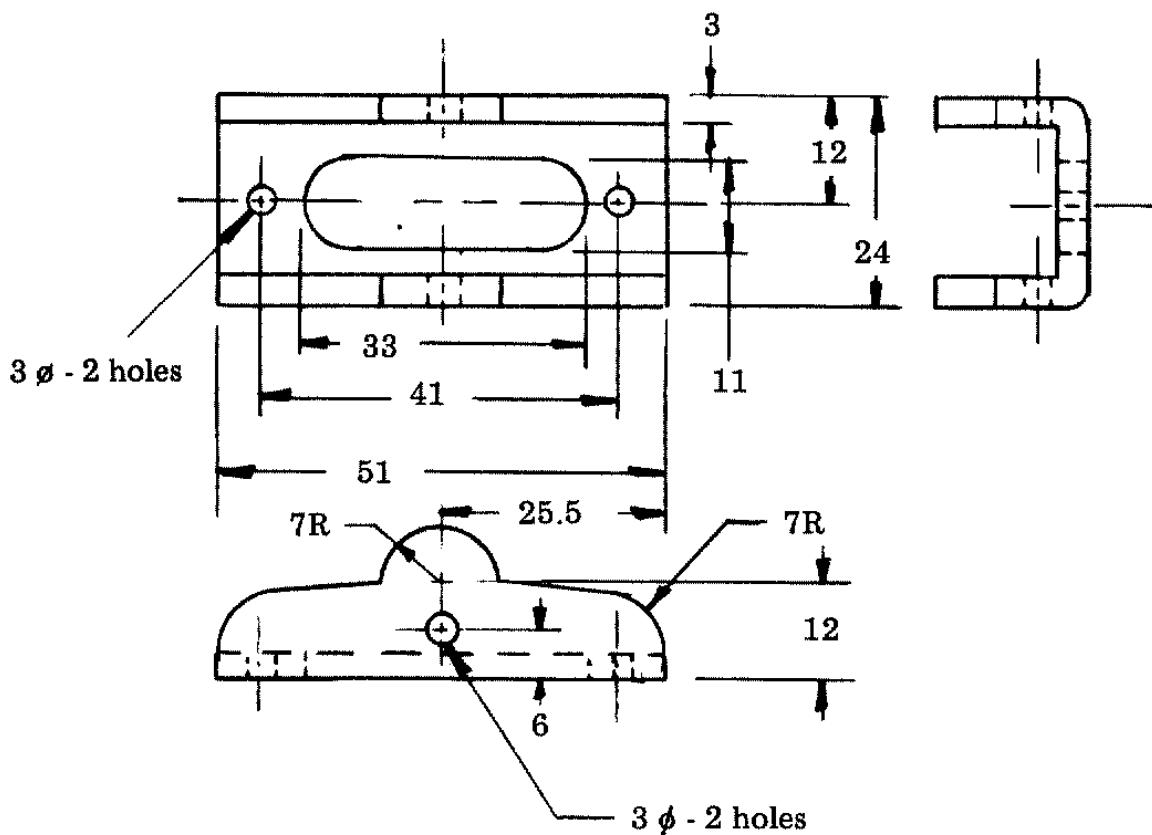


Trigger plunger  
Material: 4140 steel or equivalent  
Scale: .87 : 1

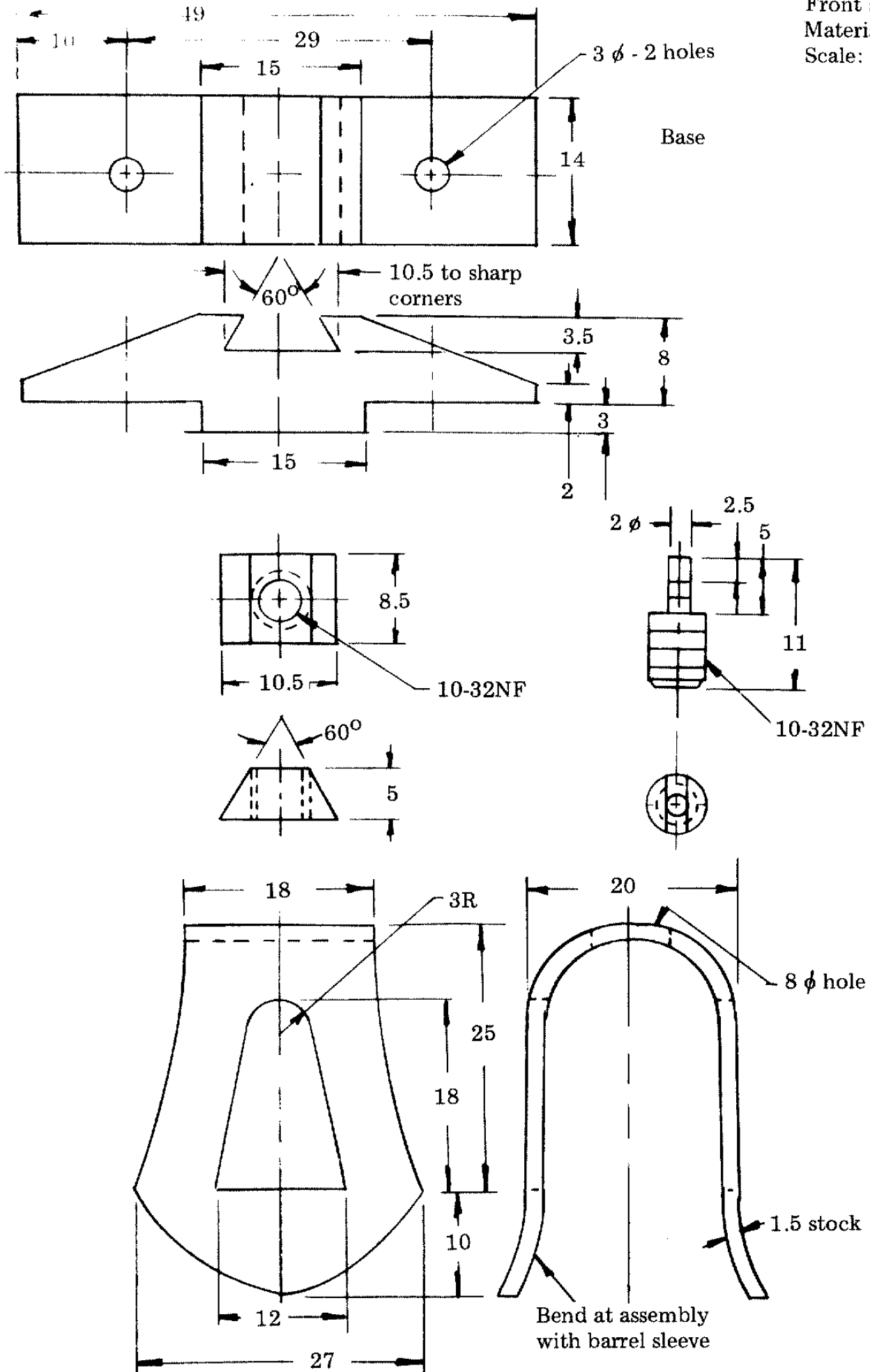


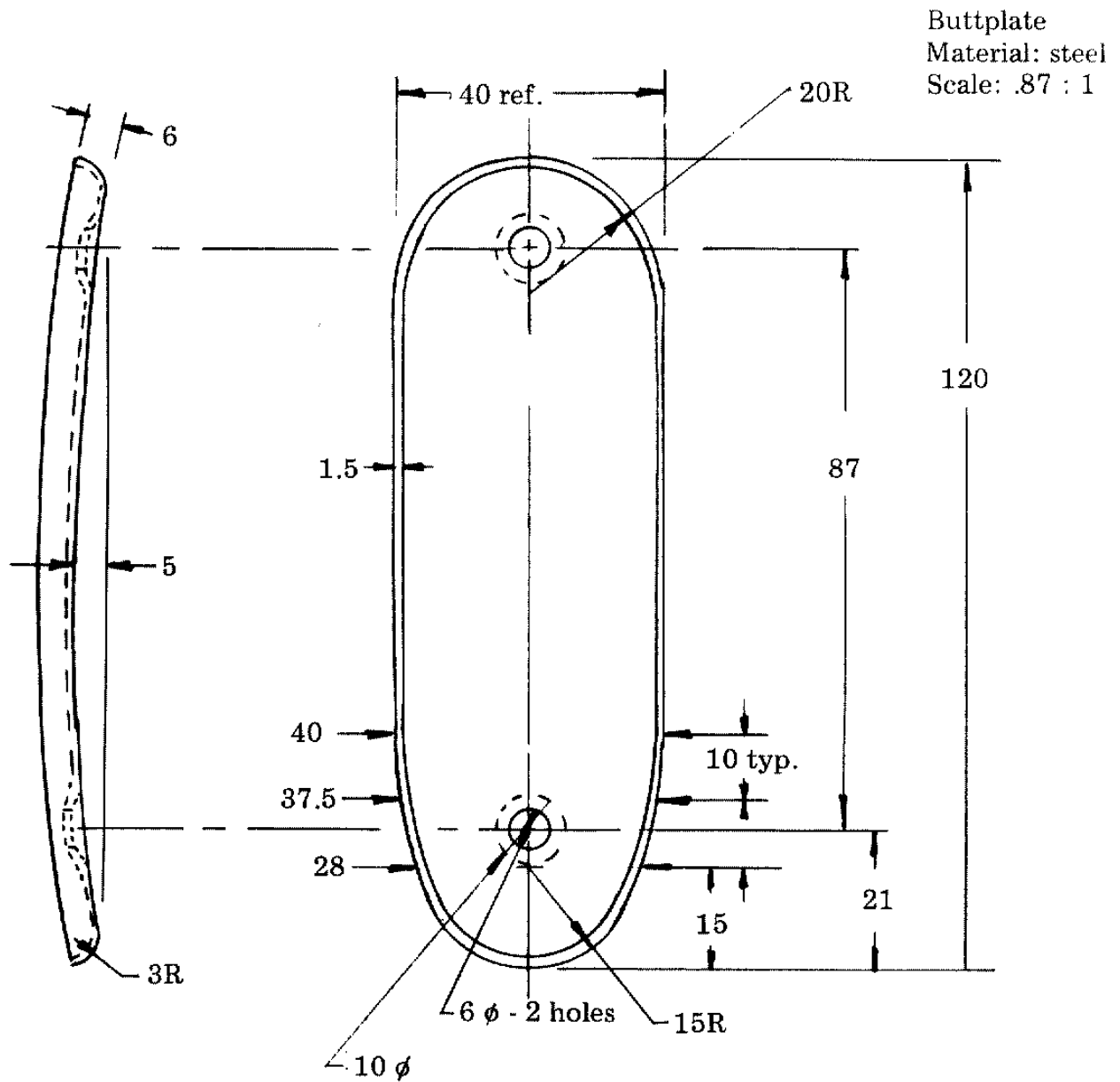
Sear  
Material: 4140 steel or equivalent

Rear sight  
Material: steel



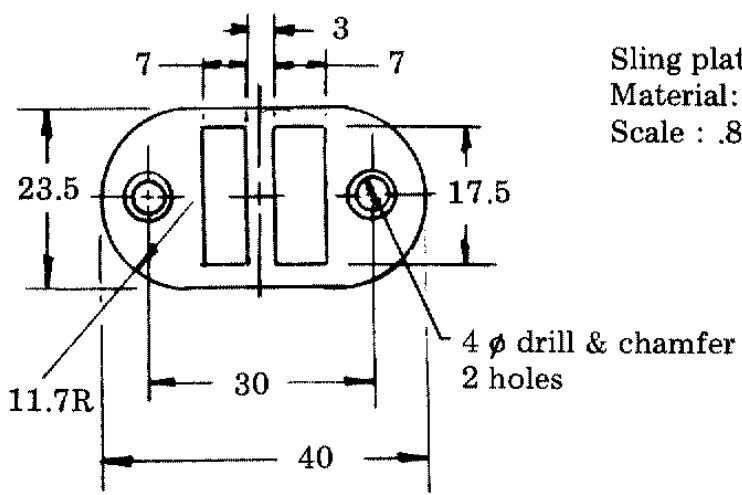
Front sight  
 Material: steel  
 Scale: 1.74 : 1





Buttplate  
Material: steel  
Scale: .87 : 1

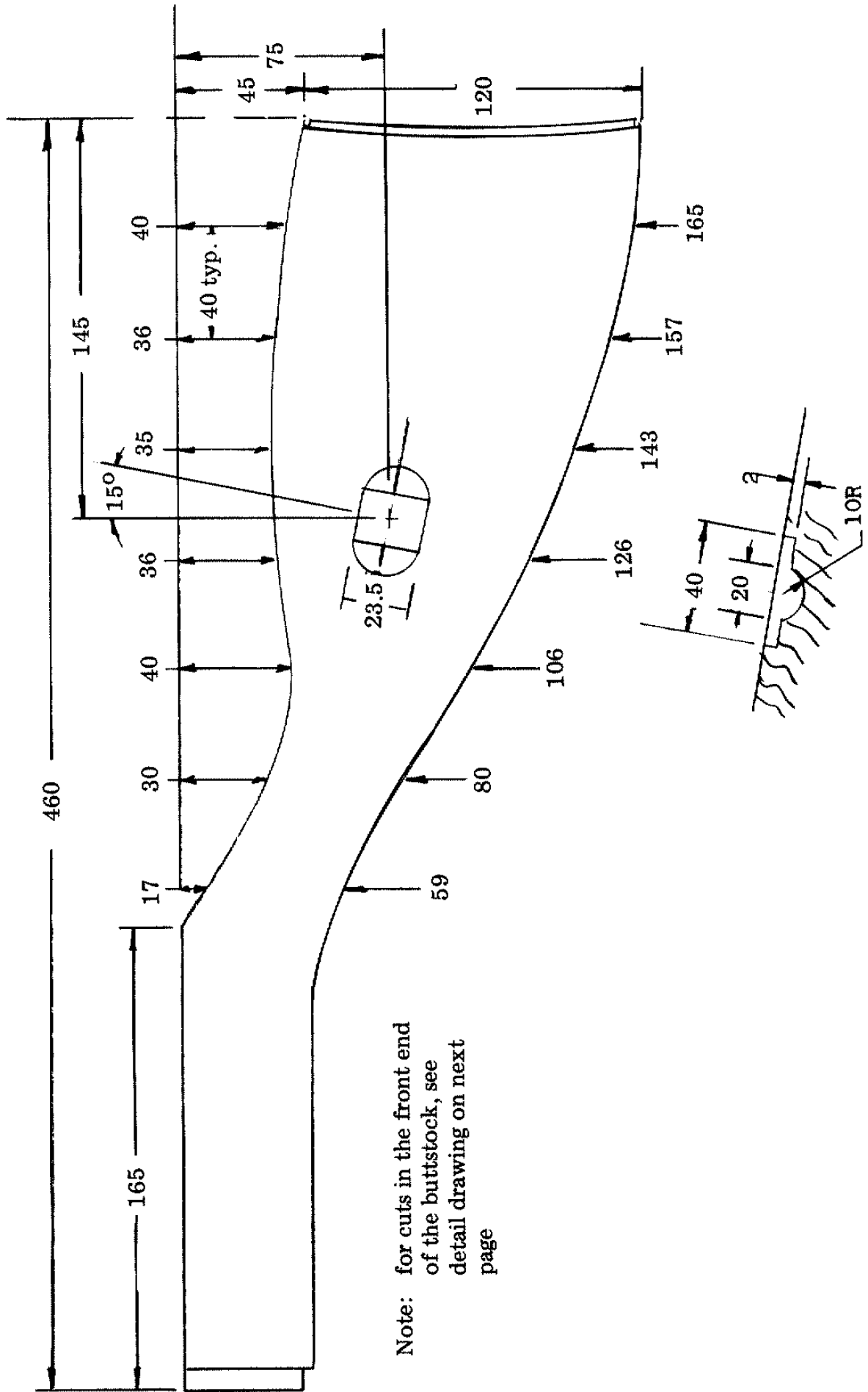
Buttplate screw  
2 required  
Half round head wood screw,  
10  $\phi$  body, 6  $\phi$  x 25 long



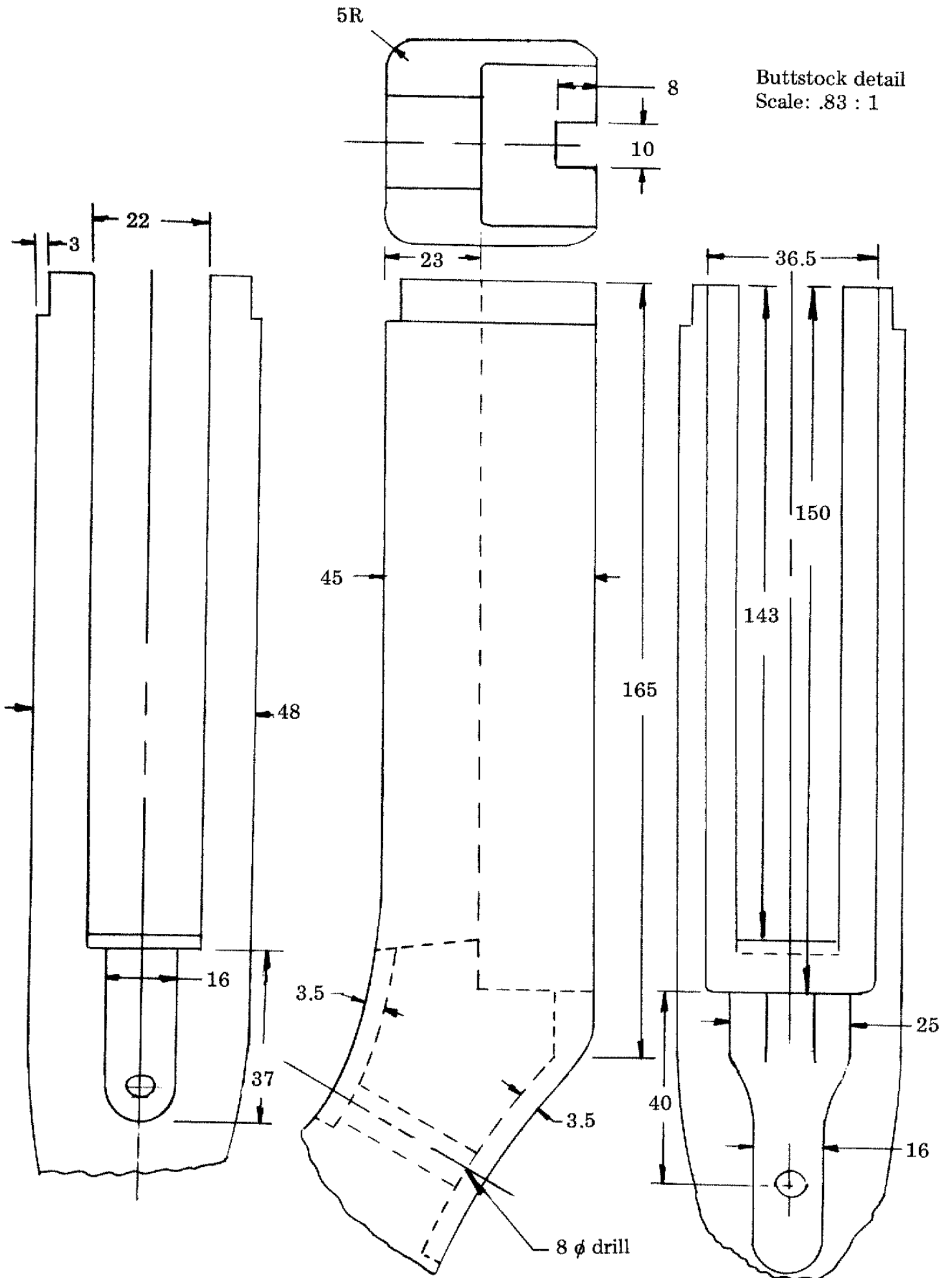
Sling plate  
Material: steel stock 1.5mm  
Scale : .87 : 1

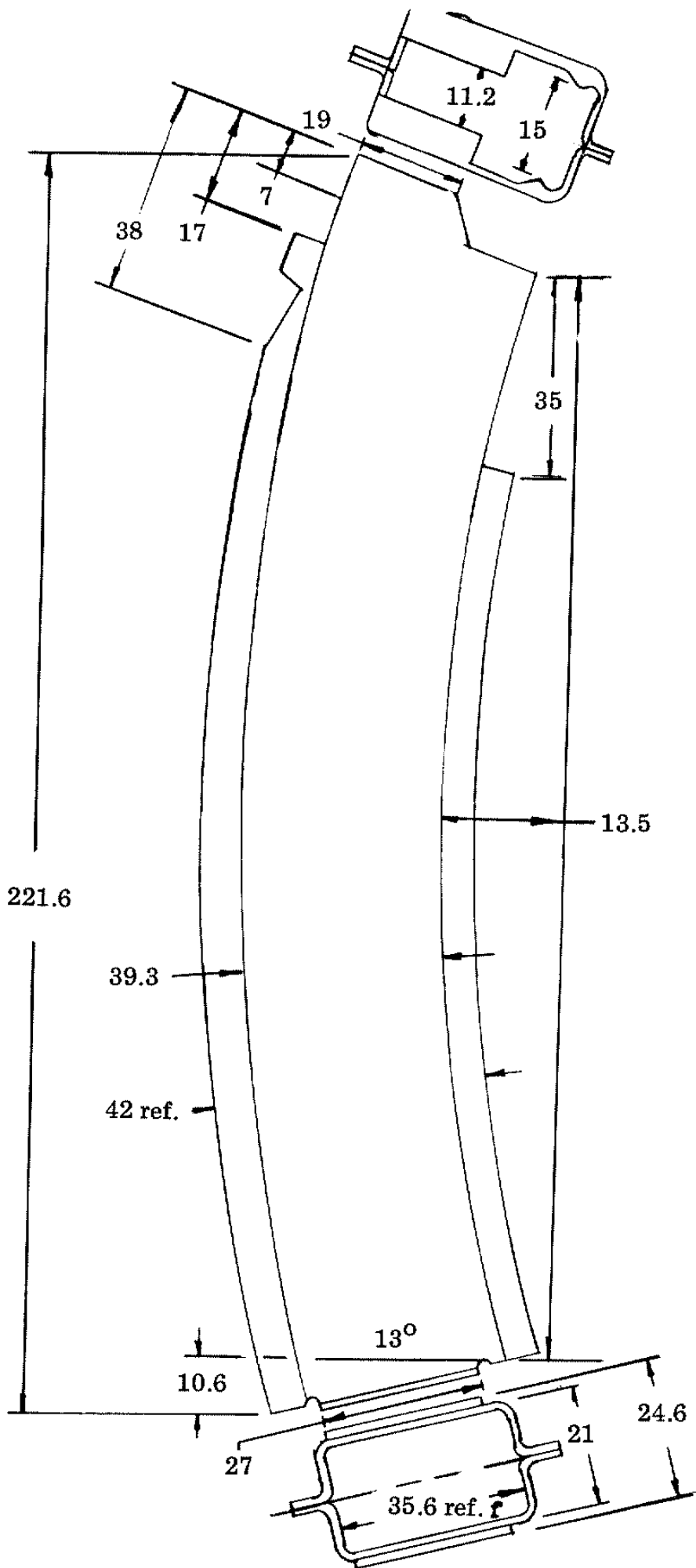
Sling plate screw  
2 required  
Flat head wood screw,  
6  $\phi$  body, 3  $\phi$  x 15 long

Buttstock  
 Material: wood  
 Scale: .87 : 2



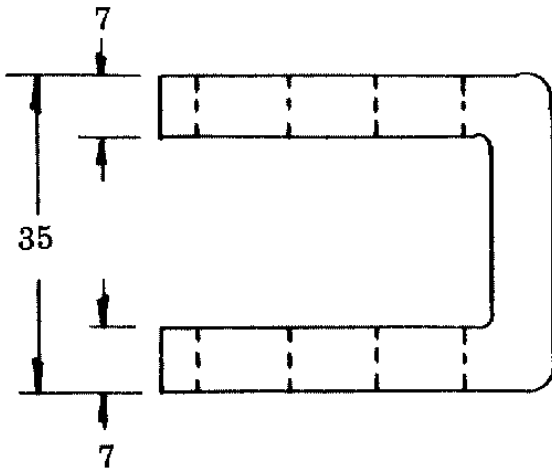
Note: for cuts in the front end of the buttstock, see detail drawing on next page



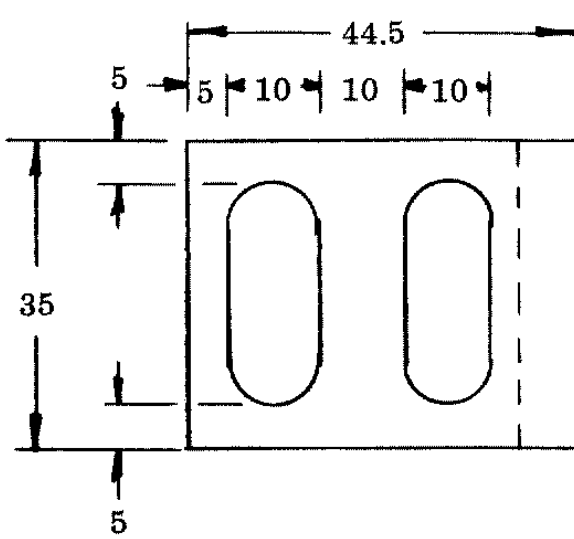


Magazine body  
Material: 1mm steel sheet stock  
Scale: .83 : 1

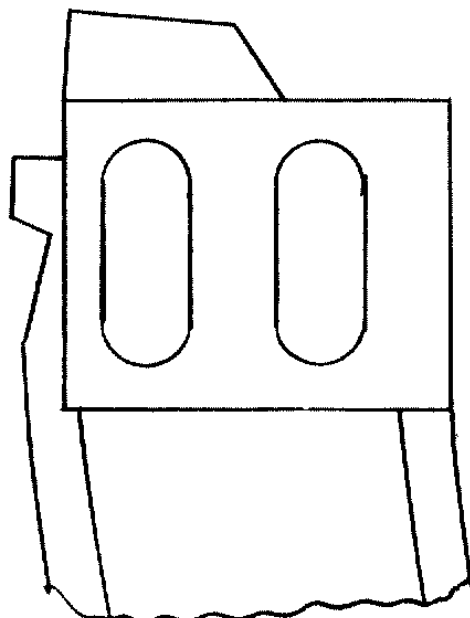




Magazine body filler  
Material: steel



Note: welded to magazine  
body at assembly



Magazine spring  
Material: 1.3  $\phi$  music wire

Number of coils: 24  
Overall length: 300mm

