

# UNIT STANDARD OPERATING PROCEDURES (VOL 1)

## **WARNING**

ALTHOUGH NOT CLASSIFIED, THIS PUBLICATION, OR ANY PART OF IT, MAY BE EXEMPT FROM DISCLOSURE TO THE PUBLIC UNDER THE ACCESS TO INFORMATION ACT. ALL ELEMENTS OF INFORMATION CONTAINED HEREIN MUST BE CLOSELY SCRUTINIZED TO ASCERTAIN WHETHER OR NOT THE PUBLICATION OR ANY PART OF IT MAY BE RELEASED.

Issued on Auth of the Chief of the Defence Staff

OPI : DAD 6-3

1999-04-01

## LIST OF EFFECTIVE PAGES

Insert latest changed page; dispose of superceded pages in accordance with applicable orders.

### NOTE

The portion of the text affected by the latest change is indicated by a black vertical line in the margin of the page. Changes to illustrations are indicated by miniature pointing hands or black vertical lines.

Dates of issue for original and changed pages are:

Original.....	0	1999-04-01	Ch.....	2
Ch.....	1		Ch.....	3

Zero in Change No. column indicates an original page. Total number of pages in this publication is 148 consisting of the following:

Page No.	Change No.	Page No.	Change No.
Title	0	4-1 to 4-6	0
i-ix	0	5-1 to 5-11	0
1-1 to 1-16	0	6-1 to 6-12	0
2-1 to 2-15	0	7-1 to 7-57	0
3-1 to 3-17	0		

Contact Officer: DAD 6-3

## FOREWORD

1. B-GL-332-001/FP-001, UNIT STANDING OPERATING PROCEDURES AND TACTICAL AIDE - MEMOIRE IS PUBLISHED WITH THE AUTHORITY OF CHIEF OF LAND STAFF. WITH B-GL-321-003/FP-001, BATTLE GROUP IN OPERATIONS, IT PROVIDES ARMY DOCTRINE AT BATTLE GROUP LEVEL.
2. SUGGESTION FOR AMENDEMENT SHOULD BE SUBMITTED THROUGH COMMAND CHANNELS TO THE DIRECTORATE OF ARMY DOCTRINE, ATTENTION DAD 6.

## AIM

3. THE AIM OF UNIT STANDING OPERATING PROCEDURES AND TACTICAL AIDE MEMOIRE IS TO PROVIDE UNIT COMMANDING OFFICERS AND THEIR SUBORDINATES, WITH THE INFORMATION REQUIRED TO READILY CONDUCT THEIR MISSIONS AT TACTICAL LEVEL, AS ASSIGNED.

## SCOPE

4. THE DOCTRINE AND CONCEPTS OUTLINED IN THIS PUBLICATION ARE APPLICABLE TO THE TACTICAL LEVEL OF COMD IN WAR AND OPERATIONS OTHER THAN WAR (OOTW). IN CERTAIN SITUATIONS, THE MANOEUVERIST APPROACH TO DOCTRINE AND TACTICAL CONCEPT MAY NOT APPLY OR MAY BE MODIFIED TO FIT THE CIRCUMSTANCES.
5. THE TERMINOLOGY USED IN THIS PUBLICATION IS CONSISTENT WITH THAT OF B-GL-331-003/FP-001, ARMY VOCABULARY, AAP-6 (U) NATO GLOSSARY OF TERMS AND DEFINITIONS AND APP 9 - A COMPENDIUM OF ALLIED LAND FORCES MESSAGES (EDITION 1).

## TABLE OF CONTENTS

<b>PART 1 - COMMAND</b> .....	<b>1-1</b>
USOP 101 - CO DISCRETION.....	1-1
101.01 - Gen.....	1-1
101.02 - to 101.10 – Unit CO Discretion .....	1-1
USOP 102 - UNIT ORG.....	1-2
102.01 - HQ Org – Siting and Layout .....	1-2
102.02 - HQ Protection.....	1-2
102.03 - HQ Mov.....	1-3
102.04 - HQ Routine .....	1-4
USOP 103 - STAFF RESPONSIBILITIES & ORG .....	1-4
103.01 - CO and Staff Responsibilities – Key Pers.....	1-4
103.02 - Do Log & War Diary.....	1-6
103.03 - Tac Org.....	1-7
USOP 104 - STEP UP PROCEDURE.....	1-8
104.01 - LOC OF THE CO DURING A MOVE .....	1-9
104.02 - Distr of Staff.....	1-9
USOP 105 - UNIT INTEGRAL CSS ELM.....	1-9
105.01 - Gen.....	1-9
USOP 106 - COMD RELATIONSHIPS.....	1-10
106.01 - Comd Relationship.....	1-10
106.02 - Altn Comd Procedures .....	1-11
106.03 - Tac Gp.....	1-12
USOP 107 - OP REPORTING .....	1-13
USOP 108 - STATES OF READINESS .....	1-13
USOP 109 - RULES OF ENGAGEMENT (ROE).....	1-14
109.01 - Gen .....	1-14
109.02 - Responsibility .....	1-15
109.03 - Non-Cbt ROE.....	1-15
109.04 - Cbt ROE.....	1-15
109.05 - ROE - AAAD.....	1-15
109.06 - PW Status .....	1-16
<b>PART 2 - INFORMATION OPERATIONS</b> .....	<b>2-1</b>
USOP 201 - INT 2-1	
201.01 - Collection .....	2-1
201.02 - BG Collation Assets.....	2-2
USOP 202 - SIGNALS .....	2-2
202.01 - Gen .....	2-2
202.02 - Comms Systems.....	2-3
202.03 - Freqs.....	2-3
202.04 - Line.....	2-3
202.05 - Signal Dispatch Service (SDS) .....	2-4
202.06 - Loss of Contact Drills .....	2-4
202.07 - EMCON Pol .....	2-4
202.08 - COMSEC .....	2-5
202.09 - Compromise of COMSEC Mat.....	2-5

202.10 - Storage of COMSEC Mat .....	2-5
202.11 - Emergency Destruction Plan.....	2-6
202.12 - Crypto Trans Secur.....	2-6
202.13 - CEOs.....	2-6
202.14 - Rad Appt Titles .....	2-6
202.15 - Coll Call .....	2-6
USOP 203 - ISTAR, COUNTER SURV, EW AND INT .....	2-7
203.01 - ISTAR .....	2-7
203.02 - Counter Surv Measures and Con Measures .....	2-7
203.03 - EMCON States.....	2-9
203.04 - Cam and Concealment .....	2-11
203.05 - Deception .....	2-11
203.06 - ECM .....	2-11
USOP 204 - PUBLIC AFFAIRS .....	2-13
204.01 - Public Affairs .....	2-13
204.02 - CIMIC.....	2-14
USOP 205 - PTLs.....	2-14
205.01 - Gen .....	2-14
205.02 - Definitions.....	2-14
205.03 - Planning and Coord.....	2-14
<b>PART 3 - MANOEUVRE.....</b>	<b>3-1</b>
USOP 301 - REGROUPING (REGP) .....	3-1
301.01 - Process.....	3-1
301.02 - Regp Orders.....	3-1
301.03 - Action by Receiving HQ.....	3-1
301.04 - Action by Changing or Joining Unit .....	3-2
301.05 - A Ech Action on Regrp .....	3-2
USOP 302 - LN 3-2	
302.01 - Gen .....	3-2
302.02 - LO Duties .....	3-3
USOP 303 - CONTACT AND COORD PTS .....	3-3
303.01 - Contact Pt.....	3-3
303.02 - Coord Pt.....	3-4
USOP 304 - DMLS.....	3-4
304.01 - Gen .....	3-4
304.02 - Res Dml.....	3-4
USOP 305 - LEAGUER, HIDE, HAR, WA .....	3-6
305.01 - Definitions.....	3-6
305.02 - Leaguer Rad Orders .....	3-7
305.03 - Leaguer Occupation Drill.....	3-8
305.04 - Leaguer Orders.....	3-9
305.05 - Hide/WA Departure and Crash Drills.....	3-10
305.06 - Hide/Har Area Layout.....	3-10
305.07 - Hide/Har Prelim Occupation Orders .....	3-11
305.08 - Hide/Har Recce Parties .....	3-12
305.09 - Duties of Hide/Har Master .....	3-12

305.10 - Duties of a Hide/Har Guide.....	3-13
305.11 - Hide/Har Occupation Drill.....	3-13
305.12 - Secur.....	3-13
305.13 - NBC Consideration.....	3-14
USOP 306 - RGE CARDS.....	3-14
USOP 307 - HEL OPS.....	3-16
307.01 - Gen.....	3-16
307.02 - Tasking Hel.....	3-16
307.03 - Immed Hel Req.....	3-16
307.04 - Comms Tac Hel.....	3-17
<b>PART 4 - FIREPOWER.....</b>	<b>4-1</b>
USOP 401 - INDIRECT FIRE SP.....	4-1
401.01 - Gen.....	4-1
401.02 - Fire Sp Coord Measures.....	4-1
USOP 402 - DIR FIRE SP.....	4-3
402.01 - Wpns Data.....	4-3
USOP 403 - ALL ARM AIR DEFENCE (AAAD).....	4-6
403.01 - Gen.....	4-6
403.02 - Active.....	4-6
403.03 - Passive.....	4-6
<b>PART 5 - PROTECTION.....</b>	<b>5-1</b>
USOP 501 - NBC DEFENCE (NBCD).....	5-1
501.01 - NBCD Comd and Con.....	5-1
501.02 - NBCD Hazard Avoidance.....	5-2
501.03 - Protection of Indiv and Unit Eqpt and Sup.....	5-2
501.04 - Drills & Procedures.....	5-4
501.05 - Friendly Nuc Strike (STRIKEWARN).....	5-4
501.06 - Contam Con.....	5-5
501.07 - Limitation of Spread.....	5-5
501.08 - Marking Contam Areas.....	5-6
501.09 - Decon.....	5-6
501.10 - Handling and Tmt of NBC Cas.....	5-7
USOP 502 - PASSWORDS & CHALLENGING PROCEDURES.....	5-7
502.01 - Passwords.....	5-7
502.02 - Challenging Procedures.....	5-7
502.03 - Codewords/Nicknames/Passwords.....	5-8
USOP 503 - EMERGENCY ALARMS.....	5-8
USOP 504 - INDIV & SUB-UNIT PROTECTION MEASURES.....	5-8
504.01 - Protection when Static.....	5-8
USOP 505 - MINE WARFARE.....	5-9
505.01 - Marking.....	5-9
505.02 - Reporting and Recording.....	5-9
505.03 - Marking of Rtes through Minefields.....	5-10
505.04 - SM and Live Explosive Devices - Units in Contact in Fwd Areas.....	5-10
505.05 - Units out of Immed Contact or in Rear Areas.....	5-11

<b>PART 6 - SUSTAINMENT .....</b>	<b>6-1</b>
USOP 601 - MOV .....	6-1
601.01 - Rd Mov.....	6-1
601.02 - Mov Calculations .....	6-1
USOP 602 - REPLEN.....	6-3
602.01 - Cbt Sp.....	6-3
602.02 - Replen in Hide/WA.....	6-3
602.03 - Provision of Water .....	6-5
602.04 - Water Consumption Table .....	6-6
USOP 603 - REP & REC.....	6-6
603.01 - Rep .....	6-6
603.02 - Rec.....	6-7
603.03 - Pri List for Veh Rep .....	6-7
USOP 604 - PERS & ADMIN.....	6-7
604.01 - Emergency War Burial.....	6-7
604.02 - Definition .....	6-8
604.03 - Pers Records.....	6-10
604.04 - Unit Action on Depl to or on Vacating BSA .....	6-10
USOP 605 - HEALTH SVCS.....	6-11
605.01 - Gen .....	6-11
605.02 - Med & Dent Svcs .....	6-11
605.03 - Casevac.....	6-11
<b>PART 7 - REPORTS AND RTNS (REP &amp; RTN).....</b>	<b>7-1</b>
USOP 701 - REPS & RTNS FORMATS .....	7-3
701.01 - Summary of Op Reps and Rtns.....	7-3
701.02 - Summary of Admin Reps and Rtns.....	7-4
USOP 702 - PERS ADMIN.....	7-5
702.01 - Arrest Report (ARRESREP).....	7-5
702.02 - Casualty Evacuation Request (CASEVACREQ).....	7-5
702.03 - Personnel Report (PERSREP).....	7-6
702.04 - War Diary.....	7-7
USOP 703 - INT 7-7	
703.01 - Common Capture Report (COMCAPREP).....	7-7
703.02 - Intelligence Report (INTREP) .....	7-8
703.03 - Intelligence Request (INTREQ).....	7-8
703.04 - Contact Report (CONTACTREP).....	7-10
USOP 704 - LAND OPS .....	7-11
SECT 1 –GEN 7-11	
704.01 - Situation Report (SITREP).....	7-11
704.02 - Incident Report (INCREP) .....	7-11
SECT 2 – ROE 7-13	
704.03 - Rules of Engagement Authorisation (ROEAUTH)..	7-13
704.04 - Rules of Engagement Request (ROEREQ).....	7-13
SECT 3 – NBC DEF.....	7-14
704.05 - Friendly nuclear Strike Warning (STRIKEWARN (NUC)).....	7-14

704.06 - NBC 1 – Biological/Chemical Report (NBC1 (BIO/Chem)) Nuclear Report (NBC1 (NUC)) .....	7-14
704.07 - NBC 2 – Biological/Chemical Report (NBC2 (BIO/Chem)) Nuclear Report (NBC2 (NUC)) .....	7-16
704.08 - NBC 3 – Biological/Chemical Report (NBC3 (BIO/Chem)) Nuclear Report (NBC3 (NUC)) .....	7-18
704.09 - NBC 4 – Biological/Chemical Report (NBC4 (BIO/Chem)) Nuclear Report (NBC4 (NUC)) .....	7-19
704.10 - NBC 5 – Biological/Chemical Report (NBC5 (BIO/Chem)) Nuclear Report (NBC5 (NUC)) .....	7-20
704.11 - NBC 6 – Biological/Chemical Report (NBC6 (BIO/Chem)).....	7-21
SECT 4 – FIRE SP.....	7-21
704.12 - Bombrep/Shelrep/Rockrep/Mortrep (BOMBREP) ..	7-21
704.13 - Fire Mission Call For Fire (FM.CFF) .....	7-26
SECT 5 – AIR DEF .....	7-32
704.14 - Weapons Control Orders (WCO).....	7-32
SECT 6 – ENGINEERS SP .....	7-34
704.15 - Barrier Report (BARREP) .....	7-34
704.16 - Obstacle Report (OBSREP) .....	7-36
704.17 - Conventional Minefield Intention to Lay Report .....	7-37
704.18 - Scatterable Minefield Report (SCATMINREP) .....	7-38
SECT 7 - EXPLOSIVE.....	7-39
704.19 - EOD Incident Report (EODINREP) .....	7-39
SECT 8 – PTL ACTIVITY.....	7-43
704.20 - Patrol Report (PTLREP) .....	7-43
SECT 9 – EW     7-44	
704.21 - Jamming Report (EWJAMREP) .....	7-44
704.22 - Meaconning, Intrusion, Jamming, Interference Warning (MIJIWARNREP) .....	7-45
USOP 705 - AIR AVN OPS .....	7-45
705.01 - Air Attack Warning (AIRATTACKWARN).....	7-45
705.02 - Air Request (AIRREQ) .....	7-47
705.03 - Helicopter Landing Site Report (HELLSREP) .....	7-47
705.04 - Helicopter Request (HELQUEST).....	7-52
USOP 706 - ADMIN REPS AND RTNS FORMATS .....	7-53
SECT 1 – LOG AND CSS.....	7-53
706.01 - Logistics Situation Report (Unit) (LOGSITUNIT) ..	7-53
706.02 - Map Request (MAPREQ) .....	7-53
706.03 - Material Demand (MATDEM) .....	7-54
SECT 2 – FORCE MOV .....	7-54
706.04 - Movement Situation Report (MOVSITREP) .....	7-54
SECT 3 – FORCE MAINT.....	7-56
706.05 - Rep/Rec Request (REPRECREQ) .....	7-56
706.06 - Gun and AFV STate (ENCODED) .....	7-56



**LIST OF FIGURES**

Figure 3-1: Schematic Layout of CBT TM Leaguer..... 3-7  
Figure 3-2: Typical Layout of Tk Sqn Hide ..... 3-8  
Figure 3-3: Example of perimeter Hide/Har Layout..... 3-11  
Figure 3-4: Rge Card ..... 3-15  
Figure 6-1: Example of Running Replen Pts ..... 6-5



## **PART 1 - COMMAND**

### **USOP 101 - CO DISCRETION**

#### **101.01 - GEN**

1. This USOP is designed to allow unit COs to estb, for use within their own unit, certain procedures which are not appropriate or possible to standardise Army-wide.
2. The organization and content of this USOP are entirely at the COs' discretion, but the layout of USOP numbering headings given in the List of Contents must be followed. This will make it much easier for attached indiv and sub-units to conform.

#### **101.02 - TO 101.10 – UNIT CO DISCRETION**

## USOP 102 - UNIT ORG

### 102.01 - HQ ORG – SITING AND LAYOUT

1. The principal factors affecting the siting of unit HQ are:
  - a. comms;
  - b. concealment;
  - c. protection;
  - d. def;
  - e. accessibility;
2. These factors will frequently conflict, circumstances will determine the wt to be given to each. Normally, good comms take precedence, but the loss of the HQ would considerably reduce the unit's ability to fight as a cohesive force. An altn site must always be selected and reconnoitred, and all must know the drill for its occupation.

### 102.02 - HQ PROTECTION

1. Clear provision must be made for a def force of Unit HQ at all times. An ad hoc def force can be found by using the miscellaneous pers of the HQ.
2. Often a sp pl or tp or the integral sig tp has the task of HQ def but this limits the pl/tp in its primary role. A compromise solution is to locate the a sp pl/tp at unit HQ so that it is part of the HQ def during pl/tp rest periods. Resting sub-sub-units may also be located near or in unit HQ. The danger of all this is that the HQ may grow too large, with too much tfc in and out, to permit proper concealment.
3. On occasions it may be desirable to locate the HQ near a sub-unit for add protection but care must be taken not to create a concentration that might endanger both the HQ and the sub-unit. Good concealment and keeping the HQ size as small as possible are also important elms of protection.
4. The RSM, unless otherwise dictated by the CO, is in charge of the HQ protection. He will apply the principles of def. He will estb the secur system as fol. This will incl but are not limited to:

Period stay	Secur System
Less than 12 hrs	Man gates, ptl and shell scrape.
Less than 24 hrs	Man gates, ptl, shell scrape and barbed wire.
More than 24 hrs	<ol style="list-style-type: none"><li>1. All aval means. The secur system will be provided by the fol mat aval:<ol style="list-style-type: none"><li>a. one x Barbed wire per veh,</li><li>b. two x trip flare per veh,</li><li>c. two x 84mm, and</li><li>d. pri of work is as fol:<ol style="list-style-type: none"><li>(1) man gates,</li><li>(2) shell trench,</li><li>(3) barbed wire (one then double concertina),</li></ol></li></ol></li></ol> and

Period stay	Secur System
	(4) trip flare. e. The fol steps must also be attended to: (1) siting the posns of the HQ def forces, (2) the posting of sentries by day and ni, (3) the siting of alarm posns for every offr and man in the HQ (sited to back up the def force posns, (4) the action to be taken in the event of air atk, and (5) the practice manning of alarm posns, as soon as possible after the HQ is set up in its new loc, and at irregular intervals after that; both by day and ni.

### 102.03 - HQ MOV

1. Drills must exist for the move of the HQ. Normally vehs will move in packets and a std ORDER OF MARCH for each of the functional gps will help to ensure quick and efficient mov, for example:
  - a. recce party;
  - b. tac CP;
  - c. CP gp;
  - d. FSCC;
  - e. sig gp;
  - f. protection gp;
  - g. CSS sub-unit HQ; and
  - h. misc gp.
2. The drill for mov incl such things as the op of a step-up, rte signing, laying and recovering line, removing signs, packet comd, orders for recce party, action on arr in the new area, etc. The drill must also incl provision for a stay-behind elm who re-dir visitors, DRs, etc. to the new loc.
3. The HQ recce party will normally consist of:
  - a. the Sig 0;
  - b. the RSM (or TSM CSS sub-unit);
  - c. MP or RP; and
  - d. mbrs of the protection elm as a working party and escort.
4. On arr in the new loc, the GR of the new loc is passed immed to bde HQ, to the flanking units and to all sub-units. The trk plan made before the arr of the main body must be rigidly enforced.
5. Immed upon arr of the main body sentries are posted. The CP is then re-estb as a matter of top pri. When this has commenced, camouflage and the digging of trenches starts (and continues until properly completed).

## 102.04 - HQ ROUTINE

1. There is always a DO who understands the current battle sit and the current codes and codewords. He must know the loc of all offr of the HQ.
2. Good comms between a CO and his HQ is essential during all kind of ops. To fulfil some of the functions
3. HQ/DO shall pass all information as fol:

Activities	Who	When
Mov of sub-units (Departure and arrival)	CO	On req.
SITREP from Higher HQ	CO and OPS O	On req.
Orders from higher HQ	CO, DCO and Ops O	ASAP
Sub-unit in contact	CO, Ops O and Bde HQ	ASAP
Sub-unit SITREP	CO and Ops O	On req.

4. Rest periods should be organised for all.
5. Visitors, incl offr coming for orders, should first report to the DO or IO to ensure all have the latest info before seeing the CO.
6. All incoming pers with msgs must first report to the sig centre. Unit offr proceeding to another HQ, and visitors at the HQ, should call at the sig centre for any msgs that they could deliver.
7. SOPs for Unit HQ must be published.

## USOP 103 - STAFF RESPONSIBILITIES & ORG

### 103.01 - CO AND STAFF RESPONSIBILITIES – KEY PERS

1. The CO. The CO commands all elms of the unit incl atts. He maintains dir contact and a close relationship with his sub comds.
2. The DCO. The duties of the unit DCO incl:
  - a. assuming comd of the unit if the CO becomes a cas or is absent;
  - b. responsible to the CO for overall admin within the unit; and
  - c. planning future ops for the CO when the Ops O is otherwise committed.
3. Ops O. The Ops O is resp to the CO for the functioning of the unit HQ. His duties incl:
  - a. responsibility for all op staff work;
  - b. assisting the CO in the prep of tac plans;
  - c. coord all ptl activity (he may be the unit ptl master);
  - d. coord sp from the other arms and svcs;
  - e. coord all unit in-theatre trg; and
  - f. assuming con if the CO becomes a cas and DCO his absent, until auth comd arrives.

4. Adj. In wartime, the Adj. fulfils the pers function and is loc in the A2 or B ech. He is resp for all pers admin in the unit, particularly reinforcement, repl and cas documentation. His duties incl:
  - a. (in peace time) responsibility for the detailed running of the unit CP;
  - b. processing recommendations for decorations and awards.
  - c. prep of all pers admin reps and rtns;
  - d. prep and issue of RO;
  - e. processing routine correspondence;
  - f. indiv mov;
  - g. handling all welfare matters; and
5. pay.
6. AAdj. (peace time only posn) he may be the CO's pers staff offr, may act as the asst Ops O and as such his duties normally incl:
  - a. CO pers staff offr; and
  - b. DO
7. IO. The IO comds the Int Sect in unit HQ. His duties incl:
  - a. commanding the tac CP and resp for nav;
  - b. producing the unit int est and from it, produce the int collection plan and the collation system;
  - c. disseminating int throughout the unit and keeping the CO informed of the en sit, topo and forecast weather;
  - d. In with the Ops O, or as ptl master if appointed, on info collection aspects of the unit ptl prgm and conducting ptl briefing and debriefing;
  - e. briefing the unit O Gp on topo and the en sit and issuing maps and overlays as reqr;
  - f. compiling the War diary;
  - g. mon PW handling and overseeing any screening conducted in the unit area;
  - h. estb an info centre as reqr;
  - i. as reqr, acting as the CO's pers staff offr;
  - j. advising the CO on possible NBC ops that have been detected by the int system; and
  - k. In with IOs of flanking units and bde HQ.
8. RSM. His duties incl:
  - a. advising the CO on all matters affecting the soldiers;
  - b. assisting (when aval) as a DO in the unit CP;
  - c. being a mbr of the CO's tac CP;
  - d. be prepared to comd the HQ recce party; and
  - e. oversees the unit MP/RP sect.

### **103.02 - DO LOG & WAR DIARY**

1. Procedures for handling info in the CP are estb to reduce this activity to a routine. This minimises the effort reqr and the likelihood that important actions will be overlooked. All info is recorded in ops logs maint by each elm within the HQ.
2. Op log books are aval and should be used. They should be referred to, when reading the next para.
3. The log provides an abridged chronological record of all incoming and outgoing info, actions taken and decisions made. It provides a continuous story of the op in progress, a check upon action yet to be taken and a basis for the writing of the war diary. Because of its importance, a log must be maint accurately and thoroughly.
4. The fol info is recorded in the log:
  - a. the pertinent details of all incoming and outgoing rad msgs and reps, such as contact reps;
  - b. incoming and outgoing written msgs and reps (lengthy msgs and reps may be paraphrased in the log or they may be merely noted and ref made to the loc of the files holding the docs);
  - c. info and verbal msgs from visiting comds, LOs, other visitors, ptls, PWs, agents and friendly civ;
  - d. the loc of the CO and principal staff offr;
  - e. the issue of op and admin orders, and the time of dispersal of O Gp and conf;
  - f. the interruption or loss of comm facilities and their restoration; and
  - g. other info that enables SITREPs and the War Diary to be written from the log.
5. It is important that log entries accurately record the date and time of events. The source of origin and time of receipt of info must also be recorded. A DO must init in the appropriate column that action has been taken, if reqr, so that people can refer to the DO if clarification is nec.
6. At unit level, ops and int matters are recorded in one log. If separate logs are maint, the offr resp must ensure that the other staff is fully informed of any new info within min of its receipt. Pers and admin elms maint separate logs.
7. Copies of the log are always aval to the CO and to the other elms of the staff. Log sheets must be closed off frequently and circulated to the principal staff offr while the info they contain is still current.

### **WAR DIARIES**

8. The purpose of War Diaries is to provide accurate and auth historical records for analyses and official histories. They replace Ann Historical Reps beginning when a unit is warned for ops.
9. War Diaries are written and maint by all units and fmns using forms CF 301 WAR DIARY and CF 302 WAR DIARY FORM.



10. In a unit HQ, the Ops O is resp for drafting entries and assembling the War Diary parts and initialling each entry. A jr staff offr normally assists him in this task.

11. War Diaries form the basis of official accounts of events. These accounts must be coherent, accurate and comprehensive. They record both unusual and routine events of day-to-day ops. They should incl not only obvious things such as accounts of cbt ops and important CSS activities, but also commonplace matters such as lower-level trg, PERSREP. Occasional short, informal comments on op and admin concerns, problems and activities are valuable. Important events or deeds involving indiv soldiers should also be recorded.

12. Org. Diaries are prepared in duplicate on the War Diary Form. A completed diary is enclosed in the form War Diary CF 301 or 302. Diaries consist of two parts:

- a. Sect K that has to filled daily. It sp and connects the anxes, but need not summarise them.
- b. Anxes. These are either original significant docs issued or received or copies of them. They are extremely important to the diary. In ops, any piece of paper recording info received or action taken should be preserved as an anx. The fol are some examples:
  - (1) orders of all types, e.g., op, admin, wng, routine;
  - (2) important reps, incl SITREPs, INTREPs and summaries, pers and eqpt states, and unusual incidents;
  - (3) records of ops, incl logs, msgs and min of confs; and
  - (4) docs relating to honours or awards, disciplinary matters or morale;
- c. Special effort should be given to obtaining docs relating to the comd's est of the sit or to recording discussions and decisions at the comd's confs.
- d. Anxes are designated alphabetically, beginning with the letter A at the first of each mo. When it is nec to designate more than 26 docs, the alphabet is repeated, i.e., AA, AB.

13. If War Diaries are classified as SECRET or TOP SECRET, info and att docs are not incl.

14. The original is to be posted by the tenth day of the fol mo at the latest. To avoid possible simultaneous loss in the mail, the duplicate is not fwd until original submission is received. Anxes are assembled and the diary narrative is drafted daily. At the end of each mo, the diary is closed, approved and signed by the comd. Both the original and duplicate diaries are forwarded dir to the director of history at some later time in the fol three mos.

### **103.03 - TAC ORG**

1. Unit HQ is normally divided into a comd sect, CP sect, int sect, MP sect and sigs tp. In ops, Unit HQ pers and atts are broken into tac gps as fol:

- a. Tac CP. The constitution of the tac CP varies according to the area and type of op. Normally, the CO is accompanied by one offr and the OC of OPCON bty. The offr might be the AAdjt or one of the cbt sp pl/tp comd. For certain ops the gp may be joined by the IO, the OC of engr fd sqn and any of the other cbt sp pl/tp comd. The gp reqr protection possibly under the RSM, and good fwd and rear link comms.
- b. CP. The CP consists of a no of cells and may be loc in vehs, trenches, bunkers or bldgs (incl cellars). The cells are:
  - (1) The Comd Cell. This operates under the Ops O's dir and is permanently manned by a DO and rad ops. It con the unit comd rad net and rear links. It is from there that the CO exercises comd when he is not with the tac CP.
  - (2) FSCC. The FSCC is staffed by the OC of OPCON bty and the mor pl comd, or their representatives. The FSCC co-ordinates all in DS, OAS and AD ress aval to the unit.
  - (3) Int Cell. This cell provides the CP with essential, timely info about en locs, mov, capabilities and intentions. The cell mon the unit comd and surv rad nets for current info on the en, and combines this info with int gained from adjacent units and higher fmns. The cell is also resp for the coord, briefing and debriefing of ptls and for weather info. BG assets aval that can be used, are listed in USOP 203.

#### **USOP 104 - STEP UP PROCEDURE**

1. HQs must be capable of moving quickly between locs. Mov is nec, either to keep up with the battle, i.e., to maint good comm with fmns or sub-units, or to avoid detection or atk.
2. There are two maj hazards associated with mov:
  - a. the elms of a HQ are placed in increased danger of detection or atk; and
  - b. the mov may interfere with the continuity of comd.
3. The foremost consideration in planning a mov is that there must be a capability to maint con of the unit at all times.
4. The normal sequence of events for a HQ move is as fol:
  - a. a step up HQ is sent to the proposed new loc well before the move. This party is normally comd by a snr offr;
  - b. when main HQ is ready to move, it orders step up HQ to assume con of ops. Step up HQ does so and main HQ ceases trans;
  - c. with step-up HQ con ops, the main HQ moves to its new loc, where guides from the adv party lead the various gps into posn. During this period, the main HQ maintains elect silence to the max extent practicable, but ops are mon so that the staff remains abreast of the sit;
  - d. step-up HQ continues operating until dir to hand over to main;
  - e. the CO or Ops O decides when main HQ should resume op; and

- f. fol the transfer of ops back to main HQ, the step-up HQ rtns to rad-listening watch and moves to a new loc as reqr, where it again mon ops.

#### **104.01 - LOC OF THE CO DURING A MOVE**

5. Normally the comd is with his tac CP during the move. When the main HQ passes con to the step-up HQ, three options are open to him. He may:
  - a. as stated, depl with his Tac CP;
  - b. move to the step-up loc; or
  - c. stay with his main CP.
6. The comd's decision is based on the tac sit at the time.

#### **104.02 - DISTR OF STAFF**

1. Under normal circumstances, the staff of the step-up is capable of supervising and co-ord tac and CSS activities. If the pace of ops is intense, selected staff offr, typically the Ops O and some admin staff, with selected mbrs of their staffs, may be reqr to join the step-up HQ. When step-up begins op, some of these elms must send dets to that loc.
2. Should the step-up be reqr to function as the main CP for longer than 12 hrs, it will need reinforcement. This could be, but are not limited to:
  - a. Sig pl – reinforce two rad op and one supervisor;
  - b. Ops cell – one DO;
  - c. Int cell – one int NCO; and
  - d. FSCC – one offr and one rad op.

### **USOP 105 - UNIT INTEGRAL CSS ELM**

#### **105.01 - GEN**

1. The aim of an integral svc sp elm at unit level is to provide the mat and sup, tech and admin skills to enable the unit to accomplish its msn.

#### **PRINCIPLES**

2. The principles of admin apply at all levels of comd. They are:
  - a. foresight;
  - b. economy;
  - c. flexibility;
  - d. simplicity; and
  - e. co-operation.
3. To exploit these principles the CO must always have the fol info:
  - a. units str (WIA/MIA//KIA/AWOL etc);
  - b. vh conditions (S/X/Y/Z/BR);
  - c. mat conditions and expenditure (Rate);
  - d. shortfalls (present and future);
  - e. posn of ech (A1;A2); and
  - f. current gpng or possible reqr.
4. Self-sufficiency is an add fundamental of admin often grouped in with the five principles above. It refers to the fact that the CO must ensure that the

unit has sufficient res to permit the execution of his tac msn. A CO is not nec restricted to specific sup scales and, where consumption rates are expected to be higher than normal, he must arrange for increases in the unit holdings.

## USOP 106 - COMD RELATIONSHIPS

### 106.01 - COMD RELATIONSHIP

1. Approved comd relationships are as fol:

	Full Comd (1)	COMD <sup>(2)</sup>		CON <sup>(5)</sup>		Planning Auth <sup>(7)</sup>
		Op Comd (3)	Tac comd (4)	Op Con (6)	Tac con	
1. Assign Separate Empl of Components of Units/ Fmns	X	X				
2. Assign Msns/Tasks (8)	X	X	X	X		
3. Assign Tasks	X	X	X	X		
4. Delegate Equal Comd Status	X	X	X	X		
5. Delegate Lower Comd Status	X	X	X	X		
6. Coord of Loc Mov, Real Estate and Area Def	X	X	X	X	X	
7. Planning and coord	X	X	X	X	X	X
8. Admin Responsibility <sup>(9)</sup>	X					

### NOTES

1. CA doc does not permit the surrender of complete comd of a CA unit or fmn to forces of another nation or a combined force comd. The national auth, normally the CDS, therefore, always retains FULL COMD.
2. Comd terms are normally used with the manoeuvre arms, i.e. inf, armd, avn and CS engrs, i.e., inf coy OPCOM to an armd regt.
3. OPCOM is the auth granted to a comd to assign msns or tasks to sub-comds, to depl units, to reassign forces, and to retain or delegate OPCOM or TACOM or OPCON as may be deemed nec.

4. A comd assigned forces under TACOM may alloc tasks to those forces but only within the parameters of the current msn given to him by the higher auth who assigns the forces. TACOM is used where the sup comd recognizes the need for add ress for a task but reqrs the ress intact for a later role. An example would be a cbt tm reqr for a br dml grd assigned TACOM relationship with that bn.
5. Con terms are normally used with sp or svc arms; i.e., arty, sigs, MP, GS engrs, etc. where a tech auth gen exists to advise on empl of these ress; i.e. 79 sigs OPCON to 2 Bde.
6. OPCON is the auth delegated to a comd to dir forces assigned so that the comd may accomplish specific msns or tasks that are usually limited by function, time, or loc, to depl units concerned and to retain or assign tac con of those units. If the reqr dev for separate empl, the higher comd must approve the change.
7. PLANNING AUTH is used where there is the potential for a comd relationship in the future. PLANNING AUTH gives the units/fmns involved the auth to liaise directly for planning purposes. This auth could be given, for instance to a unit undergoing work-up trg in CA with the unit they are to replace on UN duty.
8. Msn is defined in AAP-6 as: "A clear, concise statement of the task of the comd and its purpose".
9. Sustainment responsibility is not incl with the Comd Relationship for any joint, combined or multinational op. Within national arrangements only, OPCOM, TACOM and OPCON normally incl the admin responsibility ATTACHED FOR DAILY MAINTENANCE. If the relationship is other than normal cbt sup, the exact relationship must be specified.

### **Misc**

1. Comd Relationships should always be qualified by the DTG at which they begin. The DTG at which they end should also be specified if known.
2. LOs are normally associated to the unit/fmn where they will be empl. If not, the term ALLOCATED may be used. Air sp sorties are ALLOCATED.
3. Coord centres such as the TACP, EWCC and FSCC normally function with a unit/fmn HQ as a SOP. If not SOP, they should be assigned OPCON.
4. The NATO term "COORDINATING NATO AUTH" may also be encountered. It is not dir applicable to Comd Relationships and is defined in the Glossary.

### **106.02 - ALTN COMD PROCEDURES**

1. It is possible that unit HQ could be either partially or completely destroyed by en action. At unit level there are insufficient pers and rads to man a second or altn HQ with anything more than a skeleton staff. In the event of damage to unit HQ, C2 of the unit must be regained quickly as fol:

- a. CO a cas but HQ Intact. The DCO assumes comd. If the DCO is absent or has to move fwd from A Ech, the Ops O assumes con in the interim.
  - b. CO and HQ destroyed. The DCO assumes comd from A Ech CP or from a fwd sub-unit.
  - c. CO is away from unit HQ when it is destroyed. The CO comds from his tac CP or from a sub-unit HQ until he can make arrangements to organise a new HQ.
2. The CO designates an altn HQ for each op, separate from the main HQ with the role of ensuring continuity of con, as well as an altn comd should both the CO and DCO become cas.

### 106.03 - TAC GP

1. Select as reqr/aval: (1)

<u>UNIT</u>	<u>SUB UNIT</u>
-------------	-----------------

a. **R Gp.**

CO OC OPCON bty OC armd Sqn A armour pl comd OC engr sqn Protection party Rad operators	OC FOO/MFC Engr tp comd Protection party Rad operator
---	---

b. **O Gp.** Add to R Gp:

DCO Ops O & IO Sub unit OCs Adjnt Sig O LO Engr MO  Any att indep sub or sub-sub-unit comd	2IC Tp/pl comds Sigs NCO CSM/SSM CQMS/SQMS Arty Tac Gp/MFC Tpt NCO Other sp arms or sp det comds Med A
---	--

c. **Rear Recce Parties.**

DCO Armd/Inf LO Mor Pl 2IC 2IC A armour pl	2IC CSM/SSM Pl/Tp WOs Tp/Pl Guides
---	---

Rep mor pl	Sp wpns reps
Sub unit parties	Runner
MP/RP sect	Rad op
Rad op	

d. **Har Recce Parties.**

DCO	2IC/CSM/SSM
IO	Guides
RSM	Rad op
MP/RP Sgt	Protection party
Sp arms reps	A1 ech
Rad operator	WO maint (armed)
Protection party	WO/sgt tpt
	One guide per sub-unit packet

**NOTES**

1. Attendance on all these tac gps should be restricted to those who really need to be there. Frequently it will be neither desirable nor possible to incl all those shown in these examples. Max no of veh and OOM must also be provided.

**USOP 107 - OP REPORTING**

- All the reps and rtns to be used are provided in USOPs Part 7. In some cases, some msg formats that are expressly relevant to one specific Arm, are provided in the TAM Part 8, with each indiv Arm's Insert. The latter contains only those reps and rtns most commonly used at sub and sub-sub-unit level.
- Reps and rtns are laid out in an internationally agreed format. Sers need to be completed only where applicable (i.e. by exception), provided the meaning is clear.
- Unit's HQ must stipulate when routine reps and rtns are reqr. Timetables for responses to bde are provided in USOP 701.

**USOP 108 - STATES OF READINESS**

1. Comds at all levels must keep tps and eqpt at appropriate states of readiness.

<b>States of Readiness</b>	<b>Notice to Move</b>	<b>Preparedness</b>
A. Immed Readiness	Ready to move immed	Crews mtd, engines running, rad on, wpns made safe sentries are recalled.
B. 5 Min Readiness	5 Min	Eqpt loaded, engines off, cam down but concealed, tps fully equipped, comd ready for Os, sentries out, rad watch, no tel line, gnry systems on, no cooking, emergency maint only.

States of Readiness	Notice to Move	Preparedness
C. 15 Min Readiness	15 Min	Eqpt loaded, engines off, rad watch one per sub-sub-unit, no tel line, cam down (vis and thermal), crews dressed, tps resting, min cooking, gnry system off, limited maint and sentries out.
D. 30Min Readiness	30 Min	Eqpt loaded, engines off, cam up (vis and thermal), rad watch one per sub-sub-unit, tel line laid, gnry system off, tps resting, sentries out, urgent maint only, cooking allowed.
E. 1 Hr Readiness	1 Hr	Full vis and thermal cam. Sentries out, max maint and rest.
F. 2 Hrs Readiness	2 Hrs	Not to be empl on any tasks without sup HQ auth. Not to leave base loc. Undertake maint and rest.
G. 6 Hrs Readiness	6 Hrs	Allows recce and cfm of task prior to main body mov. Elms (R Gp) likely to be at reduced notice to move. Tps may be depl in local area. Tps may be re-tasked.

## NOTES

1. If different states of readiness are adopted the preparedness that is reqr must be stated. (E.g. NMB 45 min, full vis and thermal cam, urgent maint, max rest).
2. The NMB timing is the min time aval before mov begins from current locs, i.e.: On one hr NTM as of 1100 (NMB 1200), on 30 mins NTM as of 1200 (NMB 1230) and on 15 mins NTM as of 1230 (NMB 1245).

## USOP 109 - RULES OF ENGAGEMENT (ROE)

### 109.01 - GEN

1. Given the extremely broad rge of ops that the unit must be prepared for, it is recognised that ROE will have to be tailored to indiv ops as they occur. For the purpose of this USOP, ROE are for **“trg purposes only”** and are broken down into two different sub-gps. A set of trg ROEs is provided in TAM 112. To make sure that tps understand the use of ROE, they must be used on a reg basis during trg.
  - a. **non-cbt ROE.** These ROE will normally be in eff during the initial depl to a theatre of ops, and could remain in eff during the initial ph of conflict. Even during war like conditions, Non-cbt ROE may remain in force within specified geo area(s) of the theatre.
  - b. **Cbt ROE.** Transfer to cbt ROE by a comd will be cfm by the national chain of comd and will take place on the outbreak of war.



These ROE permit a liberal use of force against ident military objs or tgts.

### **109.02 - RESPONSIBILITY**

1. The auth who auth an op must provide comprehensive ROE to the fd comds prior to the committal of tps and eqpt. This guidance is reqr to min loss of life and eqpt and to prevent the occurrence of potentially controversial incidents. Auth providing ROE must clearly layout the auth and procedures for changing ROE, especially the trans from “Non” to “Cbt” ROE.

### **109.03 - NON-CBT ROE**

1. Non cbt ROE are essentially def ROE, fol the principle of min use of force. While giving comds the max permissible freedom to depl and protect their tps and eqpt, these ROE will be used to prevent provocative acts that might heighten tension or worsen the crisis. Restrictions on border crossing auth, use of indir fire and emplacement of obs will normally be incl in these ROE.

### **109.04 - CBT ROE**

1. These ROE will permit comds to empl their forces in sp of the military msn. In add to the Laws of Armed Conflict, pol or cultural reasons may reqr restrictions on the methods by which the military msn is achieved. COs must be aware that some of their sub-units, or part of their area of resp, may remain under non-cbt ROE throughout an op.

### **109.05 - ROE - AAAD**

1. **ROE.** ROE for AAAD will be promulgated by the fmn/TF comd in orders. The fol will be defined:
  - a. Before Gen Declaration of Hostilities. A statement of the conditions in which AAAD wpns may engage potential en ac during the pd of tension before hostilities.
  - b. After Declaration of Hostilities. The conditions in which AAAD wpns may engage hostile ac.
2. **WCO.** Cfm of the applicable orders as per USOP 704, sect 5. In AD, WCO are orders whereby wpns systems may be fired. WCO for surface AD systems whose arcs of fire intercept the LLTR remain “Wpns Tight” over that part of the rte at all times. Should it become nec to change to “Wpns Free” then that particular corridor must be closed. The WCOs are:
  - a. Wpns Free. A WCO imposing a status whereby wpns systems may be fired at any tgt not positively recognized as friendly.
  - b. Wpns Tight. A WCO imposing a status whereby wpns systems may be fired only at tgts positively recognized as hostile.
  - c. Wpns Hold. A WCO imposing a status whereby wpns systems may only be fired in self-def or in response to a formal order.
  - d. Wpns Unlimited. A WCO used to indicate that surface to air wpns may be fired at any ac within a specified vol of airspace:
3. The fol actions are considered "hostile":

- a. an ac whose recognition features clearly ident it as a type used only by the en;
- b. an ac that commits a hostile act by:
  - (1) atk a friendly unit;
  - (2) dropping paratroops or by air landing tps where both ac and tps are visually ident as en; or
  - (3) manoeuvring unmistakably into posn to atk friendly forces or facilities; and
  - (4) such ac must meet criteria promulgated by the Fmn/TF comd before and subsequent to the commencement of hostilities.

### **109.06 - PW STATUS**

1. As per Geneva Conventions and Laws of Armed Conflict, all en pers (incl mil, volunteer and att civ) who carry arms openly are to be treated as PW if captured, even if not in uniform. All those of PW status should have some proof of ident. If in doubt, treat as PW. Note that en Doctors and Chap are not PW but do enjoy same protection.
2. The fol actions are taken:
  - a. disarm;
  - b. search for concealed wpns and info of immed value;
  - c. ensure that this info is processed by the fastest means;
  - d. remove rad and comm eqpt;
  - e. enforce silence;
  - f. do not take helmets, NBC protective eqpt, paybooks, ID Cards and pers valuables;
  - g. segregate PW as fols:
    - (1) offr;
    - (2) WOs and snr NCMs; and
    - (3) other rks;
  - h. fill in capture tags and report to next higher HQ (one for pers and one for eqpt/docs);
  - i. escort PW to the collecting pt or RV (it is preferable to use returning log vehs, walking wounded or res tps to escort the PW rearward);
  - j. ratio of gds to PW is 1:10 with no less than two gds;
  - k. do not interrogate; and
3. Once captured, PWs must be protected from hostiles actions (friendly or en) and environ hazards. They must be fed, sheltered, and protected from harm and treated as humanely as possible.

## PART 2 - INFORMATION OPERATIONS

### USOP 201 - INT

#### 201.01 - COLLECTION

1. The int collection plan is part of the Information, Surveillance, Target Acquisition and Reconnaissance (ISTAR) plan and is the basis for sub-units tasking and planning.
2. Info is converted into int through the fol closely related stages:
  - a. **Collation.** This involves the gping together of items of related info to provide a record of events and facilitate further processing.
  - b. **Evaluation.** This involves determining source reliability and info credibility.
  - c. **Analysis.** This involves ident significant facts, comparing them with existing facts, and drawing conclusions about them.
  - d. **Integration.** Integration involves placing all the analyzed info together to form a pattern of events or to create a picture of the sit being studied.
  - e. **Interpretation.** Interpretation involves deciding what the integrated info means in terms of what is likely to happen in the future.
3. The format of an Int Collection Worksheet is as fol:

#### CLASSIFICATION

Fmn/Unit: \_\_\_\_\_

Period Covered: \_\_\_\_\_

SER	INT PROBLEM/ PIRs	IRs	CBT INDICATORS	SOURCES/ AGENCIES	REMARKS
(a)	(b)	(c)	(d)	(e)	(f)

#### NOTES

1. Colm (e) is divided into add columns, one for each source or agency to which the fmn/unit int staff can req info from. This column incl higher int staff, int staff of flanking fmns/units, each int staff of units and sub-units, etc. At BG level, sources and agencies incl higher and flanking unit int staffs, each cbt tm, each cbt sp pl/tps, cbt sp elms in loc, and other assets.
2. To signify which source/agency can provide info for each cbt indicator listed, an open circle is drawn in the appropriate source/agency column opposite the cbt indicator. When the source/agency is tasked to gather the

desired info, the circle is shaded. When the source/agency reports the desired info, an oblique line is drawn through the shaded circle.

3. Colm (f) incl the time by which a report is reqr, and subsequently the time at which the info was provided. Entries incl: by X hrs, every 6 hrs, NLT 1030 hrs D-3, on contact, ASAP after event, etc.

### 201.02 - BG COLLATION ASSETS

1. Collation is the procedure for receiving, gp and recording all reps arr in an int office, at any level. It involves:

- a. the routine office work of registering and recording all in-coming info ;
- b. logging, map and chart marking, filing, card-indexing, and database entry work; and
- c. maint an efficient info access system for the comd staff.

2. BG collection assets are:

	<b>Behind FEBA</b>	<b>0-5 km</b>	<b>5-10 km</b>	<b>10-15 km</b>	<b>15-20 km</b>
<b>INF BG</b>					
<b>Rece PI</b>					
- Ptls/Stay-Back Ptls	X	X	X	X	X
- Short Rge GSR	X	X	X		
- UGS	X	X	X		
- NODLR	X	X			
<b>Mor PI</b>					
- Mor FC Parties	X	X			
<b>A-Armour PI</b>					
- TOW TI Sight	X	X			
<b>Mech Coys</b>					
- NODLR	X	X			
- MRAAW TI Sight	X	X			
<b>Adm Coy</b>	X	X			
<b>ARMD REGT</b>					
<b>Rece Tp</b>					
- Ptls	X	X	X	X	
- NODLR	X	X			
<b>Tk Sqn</b>					
- MBT TI Sight	X	X			
- NODLR	X	X			
<b>HQ Sqn</b>	X				
<b>Engrs rece Sgts</b>	X	X	X	X	

### USOP 202 - SIGNALS

#### 202.01 - GEN

1. The procedures, info and drills prescribed within this USOP will be fol by all unit pers unless otherwise directed.

2. Comms provide the CO and his staff the ability to effectively comd and con the unit in all ph of conflict. It therefore becomes paramount that the unit adopt an elevated posture of voice procedure and net discipline.

3. Unit comms shall strictly comply with all procedures contained in ACP 125 Cansupp 1(B), CESI's, Unit CEOI's and Unit Signal Operation Instructions (SOI), and these SOP's.

### **202.02 - COMMS SYSTEMS**

1. The comm systems listed below, are prioritized and broken into the two main battle postures:

a. **OFFENSIVE**

- (1) combat net radio (CNR);
- (2) local data network (LDN);
- (3) line;
- (4) signals dispatch service (SDS); and
- (5) liaison officers (LO);

b. **DEFENSIVE**

- (1) local data network (LDN);
- (2) line;
- (3) signals dispatch service (SDS);
- (4) liaison officers (LO); and
- (5) combat net radio (CNR).

### **202.03 - FREQS**

1. In order to avoid interference on the battlefield with the unit's comms systems, the unit Sig Sgt (through the bde chief comm op) is resp for the mgmt of the freq spectrum:

a. These freqs are normally alloc by the bde chief comm op in the bde CEOI. However, when not utilizing a trg area, specific reqs must be made, normally 30 days in advance.

b. Freqs are normally time oriented or daily changing. However higher auth may revoke or impose restrictions depending on the size of the total fmn.

### **202.04 - LINE**

1. Line comms are best utilized when mobility is not a reqr but where high capacity and sig secur are essential. In the unit area of responsibility, fd line will be used:

- a. during periods of rad and elec silence;
- b. in the preparatory stages of off ops; and
- c. as long as possible during def ops.

2. Civ line will be used whenever possible to minimize the laying of fd cable. Civ lines are vulnerable to physical atk and elec intercept. Therefore, unless crypto devices are used, they should be used as a non-secure and secondary means.

## **202.05 - SIGNAL DISPATCH SERVICE (SDS)**

1. SDS is a Dispatch Rider (DR) moving on a scheduled promulgated by the unit CP det comd, after confirmation of higher fmns DR schedule in order to expedite the flow of tfc. The DR moves between the unit CP and all sub-unit HQ's. The Special Dispatch Rider (SDR) is aval for unscheduled runs and is con by the DO at the unit CP. The SDS is never to be used as a form of tpt of pers. The schedule is located in the unit CP.

## **202.06 - LOSS OF CONTACT DRILLS**

1. Should a sta lose contact with the net, the fol drills shall be observed:
  - a. check antenna and cables, both internal and external (LDN);
  - b. check channel;
  - c. check veh power, min 20 volts; and
  - d. turn rad off/on and attempt to estb comms.
2. If a sudden and severe worsening of comms occurs the con stn should immed order a change of channel setting. Permission will be sought from the supervisor who is to inform the Facility Controller (FC).
3. Use of a standby set is recommended if aval.
4. Normally, if contact is not made within a set period of time after such a channel change, revert to the original channel. Sta then go to a set schedule of calls on the old and new channels until comms is re-estb, using clock method.
5. Normal ops drills to check eqpt, antennas, etc, should not be neglected. Use of higher power may also be tried.
6. If a scheduled channel change occurs during a loss of comms, switch to the scheduled channel. If contact is not estb, revert to above procedure above.
7. Con sta must not abandon the allotted channel to search for lost sta without handling over con to another sta.
8. If more than one unit is on one net, the procedures to fol are those of the unit of the con sta.

## **202.07 - EMCON POL**

1. EMCON is the selective con of emitted electromagnetic energy, and the aim of this article is to minimize the en's detection of our emissions. EMCON falls under two categories:
  - a. Elec Silence. A restriction placed on the use of all eqpt that emits an elec signature. The fol eqpt is affected by elec silence:
    - (1) rad transmitters;
    - (2) radar and surv eqpt;
    - (3) active IR eqpt;
    - (4) laser rge finders;
    - (5) generators; and
    - (6) any eqpt with an electromagnetic signature.
  - b. Rad Silence. Is a condition in which all or certain rad eqpt capable of radiating a signature is kept in the receiving mode only. Rad Silence affects all rad transmitters within the unit's area of responsibility.

2. EMCON are assigned a numerical coding for ease of ref as to the various measures and are as fol:
  - a. EMCON 1 - Elec Silence;
  - b. EMCON 2 - Rad Silence;
  - c. EMCON 3 - Normal Ops, except when AD assets attached; and
  - d. EMCON 4 - No restrictions.
3. All EMCON are to be passed by secure means as well as any changes to the EMCON state. EMCON can only be lifted by the comd who imposed it, except when that comd has delegated his auth.
4. Elec silence is rarely imposed due to the essential role played by elec eqpt. When it is imposed it is done at the highest level possible, normally only the fmn comd or the COS/G3 may impose or lift elec silence.
5. Any comd at any level may impose rad silence when the battle dictates. Rad silence will be lifted by the comd who imposed it or by delegation. Rad silence may be broken as ordered on contact with the en. Once the sit has been resolved all sta are to revert automatically back on rad silence.

#### **202.08 - COMSEC**

1. The LF Crypto Distributing Authority (LFCDA) within the respective bde, including 1Cdn Div HQ and CTC HQ, is the resp agency for the con and distribution of all COMSEC mat within the fmn. The CO of a unit is responsible for all unit COMSEC mat. In most cases, all issues and receipts of COMSEC mat has been appointed to the Sig O of the unit, which is known as the custodian. In his absence, the altn custodian appointed is the unit Sig Sgt. These two indiv are resp for the con, distribution and op of the COMSEC systems used within the unit. All loanholders/users of COMSEC mat must fol specified procedures and rules in order to ensure secur is maintained to the highest level. The specified procedures are found in CIS/01/2(D).

#### **202.09 - COMPROMISE OF COMSEC MAT**

1. Captured COMSEC mat is of supreme value to the en and is a severe loss to the unit. All COMSEC mat must be destroyed or disabled, in accordance with an emergency destruction plan, when the capture of COMSEC is imminent. The unit custodian must ensure that all pers using COMSEC mat are informed and trained in emergency destruction procedures.
2. The loss of COMSEC mat creates a COMSEC incident that must be reported by secure means and corrected immed. Any compromise or suspected compromise must be reported as fast as possible up the chain of command. Speed in reporting the compromise is essential so that COMSEC keying mat or elec fills can be replaced ASAP. A compromise will normally result in a loss of momentum but could be as serious as causing the whole msn to fail.

#### **202.10 - STORAGE OF COMSEC MAT**

1. Stored in the appropriate manner in IAW A-SJ-100-001/AS-000 National Defence Security Policy (NDSP) and CIS/01/2(D). In garrison all rads are to be zeroized of all keying material prior to storage.

## **202.11 - EMERGENCY DESTRUCTION PLAN**

1. The Emergency Destruction Plan is to be promulgated annually IAW CIS/01/2(D), although it shall be reviewed upon receipt of any allocation code alterations, and amended accordingly.

## **202.12 - CRYPTO TRANS SECUR**

1. Unit HQ must work closely with Sig Pl, since the op of the unit on the battlefield is vital to maintain an Over The Air Rekeying Plan (OTAR) Plan. The OTAR planning is the responsibility of the Sig O. It is a grouping of Cryptovariabls on the battlefield that is constantly changing with the degree of the complexity of the overall battle plan. Use of a single Traffic Encryption Key (TEK) is a posture of QL 3 training in CFSCE, and should be avoided at all costs at any level of ops.

2. Cryptovariabls are normally issued prior to depl and if nec updated elec throughout the msn. However during times of rad silence they are delivered by other means. It should be noted that current doctrine does not allow the Key Encryption Key (KEK) to be delivered elec.

3. The Crypto Material Management System (CMMS) will determine which variables should be allocated to different gp/fmns on the battlefield, it is then loaded in the Data Transfer Device (DTD) and then distributed by other means. This is to incl the TEK, KEK, and Transmission Security Key (TSK), the latter encrypts the hopset for OTAR. Furthermore, this function shall incorporate the validity date, no of channels being used on the cryptonet being used for that crypto period. The CMMS Portable Data Terminal type D (PDT-D) will assign all key reqrs of COMSEC to specific compartments as per the data specified in the Net Security Plan (NSP)

4. The CMMS site shall receive and store COMSEC keying mat for 600 different primary ld gp, as a min. All keying mat is received from higher fmn CMMS through hand carried disk copy or through an external source via a STU-III.

## **202.13 - CEOIS**

1. The CEOI is the responsibility of the unit rad sgt through the bde chief comm op. He makes daily changing extracts and they are issued through the Crypto clerk to the Sig NCO's. It should be noted that the CEOI will have a con no located in the top right corner for accounting purposes, and will be destroyed within two hrs of supercession.

## **202.14 - RAD APPT TITLES**

1. Rad Appt Titles are found in ACP 125 Cansupp 1(B), and are to be strictly adhered to.

## **202.15 - COLL CALL**

1. A coll call is a call to certain designated sta on a net by use of a coll call sign, which may be qualified by figures and/or letters. The sta are pre-arranged to suit any given sit as the msn dictates. It is not essential for all nets to have coll call signs. A common use for this type of call is where C/S 0 wishes to speak with all Coy CP's on the net. For example "CC1 this is 0



over". C/S's 1, 2, 3, 4 and 8, would answer "Roger over", and C/s 0 would then send his message.

## **USOP 203 - ISTAR, COUNTER SURV, EW AND INT**

### **203.01 - ISTAR**

1. ISTAR is a 24-hr plan comprised of four elms: intelligence, surveillance, tgt acquisition and reconnaissance. It incl counter surv con measures.
2. At BG level, recce pl/tp exist in inf/armd regts. Other, "non-spec" tps are also aval to perform ISTAR duties. BG ISTAR assets have line of sight capabilities in add to the TA means associated with integral wpn systems. ISTAR assets are gen ltd to providing recce ptls, OPs, listening posts and ISTAR eqpt. BG assets are:

<b>ACTIVE</b>	<b>PASSIVE</b>
Search lt	P Binos
Flares	Rge GSR
Mor illum	UGS
Arty Illum	NODLR
IR flares & filters	TOW TI sight
Veh lts	SRAAW TI sight
Coyote/GSR	MBT TI sight
	LAV/Coyote etc. TI sight

3. Orders. ISTAR takes acct of any fmns orders on measures imposed and provide for:
  - a. depl of res by day, ni and bad weather;
  - b. orders for depl to take account of changing vis conditions;
  - c. ref pts;
  - d. ptl plan;
  - e. stage of illum, fixed line tasks and DFs;
  - f. laying trip flares; and
  - g. surv plan

### **203.02 - COUNTER SURV MEASURES AND CON MEASURES**

1. Every comd is resp for ensuring the loc protection of his unit or sub-unit at all times. Protective elm will serve the purpose of providing info and early wng of en presence and intentions.
2. Every unit and sub-unit shall have viable drills for all actions and eventualities that are related to this USOP (see counter surv con measures chart below).
3. Counter surv is divided into:
  - a. methods to be used to counter en surv (e.g. cam and concealment and counter recce through TOW, recce and indir fire ress); and
  - b. measures by which comds impose con of the use of:
    - (1) comms eqpt (Rad and RR) by the imposition of rad silence either on its own or as part of elec silence (COMMS EMCON);

(2) non-comms eqpt (e.g. radar, lasers, nav aids, IFF, homing beacons, sounds, tellurometers, active IR and rad data links associated with sound ranging) less white lt, by the imposition of elec silence. (NON COMMS EMCON),

(3) white lt for TA;

(4) dir and indir fire;

(5) veh lts; and

(6) noise, heat and mov by pers and vehs;

c. Deception. See USOP 203.05.

4. Counter surv con measures

5. Counter surv is divided into:

a. methods to be used counter en surv, e.g., cam and concealment; and,

b. measures by which comds impose con of the use of specific types of eqpt, i.e. EMCON:

203.03 - EMCON STATES

Measures EMCON	Rad	Non Comms Eqpt	White Lt Illum	Fire Con	Veh Lts	Noise/Heat/Mov Sources	Radars
PREFIX	'A'	'B'	'C'	'D'	'E'	'F'	'G'
1-	<b>ELEC SILENCE IMPOSED</b> No trans. All rad on listening Watch.	Total silence. No emissions even for testing.	No white Lt to be used. Surv by passive means.	No firing without permission of imposing comds.	No lts of any sort, incl IR.	Total silence. No engines to be run. No mov of vehs and min mov of pers.	Total silence. No emissions even for testing.
2-	<b>RAD SILENCE IMPOSED</b> May be broken if op sit justifies it, but revert to rad silence ASAP.	Min essential testing only. Silence may be broken for specific engagements but must be re-imposed immed afterwards. Lasers may be used.	Use of white Lt for emergency engagements but Measure 1 must be re imposed afterwards	Firing only in self-def by indivs & units coming under dir en fire. Other fire only on auth of imposing comd.	Convoy Lt only. No IR.	Min essential running of engines/ genset. Min use of heat sources and mov of pers/vehs.	Min essential testing only. Silence may be broken for specific engagements but must be re-imposed immed afterwards.
3-	<b>SILENCE LIFTED</b> Normal rad	As for measure 2 until first engagement, after which silence is lifted for that wpn or eqpt.	Normal use	All wpns subj to normal fire con.	Side & convoy lts. IR only if specified.	Normal use of engine/generator heat sources and mov of vehs/pers.	As for measure 2 until first engagement, after which silence is lifted for that eqpt.
4	No restriction	No restriction	No restriction	No restriction	No restriction	No restriction	No restriction
Notes			Comds must spec whether trip flares are to be set.		(1) Brake lts to be disconnected. (2) See rd mov USOP 305.	(1) Usually ordered at unit level. (2) Air bottle charging for TI must be considered	



### **203.04 - CAM AND CONCEALMENT**

1. Every device possible will be used to reduce the possibility of obsn by the en of veh, def earthworks and pers.
2. Cam Drills. The fol must be incl in any cam action:
  - a. every veh will carry a IR cam net and sufficient hessian or sacking to cover all shiny parts;
  - b. when veh are reqr to halt, dvr will attempt to find suitable cover. Surfaces nets will be erected unless halt is known to be less than 15 min; and
  - c. the problem of trks will be met in one of two ways:
    - (1) trk plans will be estb and adhered to, where possible, max use should be made of existing features such as rds, trails, ditches and hedgerows in developing trk plans; and
    - (2) deception by making so many trks that the observer is confused.
  - d. units will emphasise trk discipline unless advised otherwise.
3. Natural cover should not be destroyed or removed except for clearing fds of fire, noise will be kept to a min, exposed lt and open fires are prohibited during darkness.

### **203.05 - DECEPTION**

1. Gen guidelines are:
  - a. plans coord and approved by unit HQ and fmn;
  - b. info flanking units of plan and activation;
  - c. coord plans with flanking units;
  - d. do not deflect en effort onto flanking units unless specifically ordered by fmn HQ;
  - e. present same picture to all en surv means;
  - f. do not compromise real codes, locs, freqs etc, without auth of fmn HQ;
  - g. no deception using radar or rad without auth of fmn HQ;
  - h. do not confuse own forces;
  - i. enforce strict 'need to know' until plan is activated; and
  - j. deception plans must be credible to en.
2. Elec Deception. Any elec deception plan must be approved at BG HQ and may need clearance at fmn HQ. Plans must conform to the overall tac plan.

### **203.06 - ECM**

1. Gen
  - a. Eqpt. All operators and users must be aware of eqpt vulnerabilities.
  - b. Consider altn comms:

- (1) line;
  - (2) runners;
  - (3) civ tel;
  - (4) LOs; and
  - (5) DR;
- c. Consideration should be given to the extent which the BG should be dispersed. The ability to work through jamming is enhanced by tight depl which also allows the use of lower power levels.
- d. Rad Silence is the best method of EMCON but its imposition can indicate that mov or important ops are imminent. Must be considered as per to fd deception plan and counter surv con measures.
2. Con Measures:
- a. Net Discipline:
    - (1) enforce estb net op procedures;
    - (2) enforce net discipline;
    - (3) keep up to date comms states;
    - (4) avoid rad checks;
    - (5) careful mon and supervision of net to minimise en deception; and
    - (6) if freq alloc permit, the con sta should order a change of freq often and at irregular intervals.
  - b. Authentication:
    - (1) enforce correct use of authentication; and
    - (2) challenge when intrusion suspected.
  - c. Jamming and Deception:
    - (1) expect jamming and deception, know means and plans to defeat it;
    - (2) maintain sta on old freqs if possible; and
    - (3) gd against attempts at deception, be suspicious and report immed by secur means.
  - d. Def against search, intercept and DF:
    - (1) site rad to evade intercept and DF, use woods, bldgs, and hills as a screen;
    - (2) when possible, always op with min power;
    - (3) to reduce rge keep VHF antennas as low as possible, site HF antennas carefully and use dummy antennas to tune transmitters;
    - (4) keep off air unless absolutely nec and then keep trans as short as possible;
    - (5) use only official procedures and codes;

- (6) use good freq changing drills, when possible, change ops at the same time;
- e. learn to recognise jamming, anti-jamming drills are provide at TAM 203.02;
- f. take en posn into acct when siting antennae, in OPs site antennae on reverse slopes;
- g. reports jamming by secure means as per format provided at USOP 704, sect 9 (MIJIWARNREP); and
- h. If comms become unworkable, change to altn freq at next ¼ hr without wait.

## **USOP 204 - PUBLIC AFFAIRS**

### **204.01 - PUBLIC AFFAIRS**

1. Public affairs (PA) must be coord at all levels, both in war and peacetime. The fmn G5 has definite responsibi-lities in rel to the PA effort of the bde. These are as fol:
  - a. In with the unit IOs;
  - b. the estb of public info cell at fmn;
  - c. providing PA advice to the comd;
  - d. preparing and executing the media plan;
  - e. estb and running the media ln centre;
  - f. coord media escorts in the fmn area;
  - g. In with local comms and media outlets; and
  - h. estb media contact pols.
2. Secur of info is a div responsibility: When reqr, the Public Affair Officer (P Aff O) may estb a media centre at the fmn/TF rear HQ.
  - a. Only media accredited by the theatre fmn/TF PIO are auth to function within the fmn/TF area of ops. Any media rep violating estb media grd rules will not be allowed to operate in the fmn/TF area of ops.
  - b. Fmn P Aff O designated pers will escort all media pers;
  - c. Guidelines for talking with news media pers incl the fol:
    - (1) if you commanded it, did it, or used it, then you can talk about it;
    - (2) if you do not want it published, do not say it;
    - (3) always exercise OPSEC;
    - (4) public info and OPSEC;
    - (5) when dir, the P Aff O conducts review of any mat provided for rel; and
    - (6) the P Aff O will not censor mat provided for release, but will screen it for OPSEC violations.

## **204.02 - CIMIC**

1. CIMIC is not a unit responsibility but unit will be commonly implicated in the process at every level of ops. This implies that the lowest level at which CIMIC functions will be coord is at fmn level. While not all G5/CIMIC functions are found at bde level, there exist several key duties that must be carried out
2. Unit Responsibilities: Specific population con tasks will be assigned to units in the fmn Op O. Given the debilitating effect that population mov can have on the conduct of ops, indications of such mov are to be passed immed to fmn using the SITREP format

## **USOP 205 - PTLs**

### **205.01 - GEN**

1. Ptl activity is to be closely con and coord to ensure that rtes, bdrys and tasks have been clr defined and that sufficient info on ptl activity has been disseminated to flk units and fwd tps to prevent clashes and misunderstandings. The resp for coord ptl activity will normally be the fmn HQ, although in more mobile ops or when fwd tps are covering very wide frontages, fmn may have to delegate that resp to units. For planning purposes, ptls tasked by the fmn, can expect to depl for a min of 48 hrs. Spec eqpt reqr will be detailed in the ptl task table.
2. Ptls will be ordered to:
  - a. obtain info about the en and /or terrain;
  - b. act as a secur measure to prevent the en gaining info or to prevent him from op in an area;
  - c. provide protection to specs carrying out specific tasks or duties; and
3. In the case of fmn stay behind ptls/OPs, ptl activity planning will be systematic. Spec eqpt reqr and reporting procedures will be detailed in a ptl task table.

### **205.02 - DEFINITIONS**

1. Planned Ptls. Planned ptls are those for which tasks can be clearly ident at least 12 hrs before ptl activity is to start. In principle, all ptl activity should be planned.
2. Quick Reaction Ptls. Quick reaction ptls are those reqr to cover urgent tasks which were not indent in time to be incl in the ptl task table. Such ptls will normally be tasked by unit or sub-unit HQ and are:
  - a. to react against en infiltration or activity within BG/unit bdrys;
  - b. to asst other ptls in difficulties; and
  - c. to carry out ops fwd of the BG/unit FEBA.

### **205.03 - PLANNING AND COORD**

1. By 2359 hrs Daily - Sub-units send ptl reqr to unit HQ (Unless otherwise directed).



2. By 0300 hrs Daily - Unit HQ receives from bde HQ details of ptl bdrys, collated ptl tasks and limitations on rtes and timings.
3. By 1100 hrs Daily - Sub-units send detailed rtes and timings to unit HQ.
4. By 1200 hrs Daily - Unit HQ send consolidated sub-unit tasks table for next 24 hrs period (1800-1800hrs) to fmn HQ.
5. Subsequent Action:
  - a. fmn HQ consolidates task tables and disseminates nec info to fwd tps;
  - b. unit HQ checks that fwd sub-units within bdrys are aware of own and neighbouring units' ptl prgms; and
  - c. sub-unit HQ checks that tps are aware of own and neighbouring sub-units' ptl prgms.
6. Ptl Bdrys. Unit HQs may divided their alloc areas into sub-unit areas. Within these areas sub-unit HQs are solely resp for ptl activity. Sub-unit HQ coord:
  - a. dispatch and rec of ptls;
  - b. maint of comms with ptls; and
  - c. quick reaction forces.
7. Comms.
  - a. normally rad silence (EMCON 2); and
  - b. use normal password.
8. Ptl OPI. Normally unit IO. Resp for:
  - a. keeping ptl reps for ref;
  - b. maint ptl sit map showing exact posn of own tps, minefields, pre-planned DFs, info from earlier ptls, previous and proposed ptl rtes;
  - c. briefing ptls or passing nec briefing info to sub-unit briefing offr;
  - d. accurate definition of each ptl task to avoid duplication;
  - e. adjusting ptl timings and rtes to avoid repetition and clashes;
  - f. prep and issue of ptl task table; and
  - g. debriefing ptls.
9. OC sub-unit must give ptl comd adequate wng and time for recce, orders, rehearsals and admin.
10. PTLREP format is provided at USOP 704, sect 8.



**PART 3 - MANOEUVRE**  
**USOP 301 - REGROUPING (REGP)**

**301.01 - PROCESS**

1. Sequence of action:
  - a. comd decision of regp;
  - b. issue wng O and orders;
  - c. action by receiving HQ; and
  - d. action by changing or joining sub-unit.
2. Sp elms do not move to new loc unless specifically ordered.
3. Sub-unit slice of A ech accompanies regp sub-unit.

**301.02 - REGP ORDERS**

**Wng O.** Send wng O ASAP through superior HQ of sub-unit being regp.

1. Orders format:
  - a. SITREP;
  - b. receiving HQ;
  - c. timings (of mov, NMB, regroup completed by, orders);
  - d. gp and comd status of sub-unit being regp;
  - e. tasks on regp;
  - f. expected duration of regp;
  - g. RV, time, order of march and rte;
  - h. har party details;
  - i. Log sp;
  - j. ln;
  - k. callsigns and freqs of regroup units;
  - l. time to estb comms; and
  - m. any add info.

**301.03 - ACTION BY RECEIVING HQ**

1. Send LO to RV to:
  - a. brief joining OC on cbt sit, BG depl, obs;
  - b. issue CEOIs;
  - c. guide joining sub-unit to new loc;
  - d. issue orders to joining sub-unit; and
  - e. cfm details of:
    - (1) Gun and AFV State (USOP 706.06);
    - (2) PERSREP (USOP 702.03);
    - (3) admin/log reqrs; and
    - (4) when regroup sub-unit is op ready, send to unit HQ,
  - f. SITREP (USOP704.01) for complete regroup;

- g. PERSREP sub-unit; and
- h. LOGSITUNIT (USOP 706.01).

### **301.04 - ACTION BY CHANGING OR JOINING UNIT**

1. Before eff Change of Comd:
  - a. ask for regroup orders;
  - b. cfm call sign of mov sub-unit to receiving sub-unit through sup HQ;
  - c. send SITREP, PERSREP and add info reqr;
  - d. comd change to receiving unit/sub-unit net and mov to RV; and
  - e. cfm log slices aval.
2. On eff Change of Comd:
  - a. sub-unit changes to receiving sub-unit or unit nets;
  - b. ensure sufficient CEOIs received;
  - c. cfm loc and mov details; and
  - d. send any spec admin reqr.

### **301.05 - A ECH ACTION ON REGRP**

1. On regroup sub-unit to another unit:
  - a. provide CQMS/SQMS with ech slice;
  - b. info receiving unit adm coy intended mov;
  - c. arrange mov dir with OC adm coy of receiving unit; and
  - d. info OC adm coy of receiving unit of admin state of sub-unit.
2. On regroup within a unit:
  - a. info CQMS/SQMS of both changing and receiving sub-units; and
  - b. info OC adm coy.

## **USOP 302 - LN**

### **302.01 - GEN**

1. Ln is to be reciprocal when:
  - a. a CA unit is placed OPCOM/TACOM of a HQ of another fmn or nationality; and
  - b. a CA unit flanks a fmn or unit of another fmn or nationality;
2. When Ln is not reciprocal, responsibility for estb it is:
  - a. from left to right;
  - b. from rear to front;
  - c. from higher to lower fmn or unit; and
  - d. from supported fmn or unit to supporting fmn or unit.
3. When Ln is broken, both parties should attempt to re-estb it with primary responsibility remaining with the fmn or unit originally providing it.
4. Visiting LO or dets normally provide their own tpt and comms.
5. Receiving HQ responsibilities to LOs:
  - a. init briefing;

- b. secur of crypto mat and eqpt; and
- c. admin.

### 302.02 - LO DUTIES

1. **Prep.** Before mov to or from own sub-unit, obtain:
  - a. current battle update;
  - b. int update;
  - c. future intentions; and
  - d. any log info.
2. **Info.** Carry no more info than nec for task. Make provision for its destruction.
3. **Eqpt.**
  - a. CEOIs (max three days);
  - b. maps;
  - c. USOPs.
  - d. comms to parent HQ; and
  - e. rats.
4. **Mov.** Before departing on task, cfm:
  - a. destination;
  - b. rte and ETA;
  - c. next loc of own and destination HQ; and
  - d. collect msgs and mail for del.
5. **OWNSITREP.** Be able to provide OWNSITREP as fol:
  - a. loc of fwd elms;
  - b. loc of units/sub-units, HQs and bdrys;
  - c. no of battleworthy tks and APCs in each BG;
  - d. BG/unit ORBAT;
  - e. relevant tac info (incl int); and
  - f. In offr should as a min reqr, be proficient in NATO language(En or Fr) of the receiving HQ(STANAG 6001)

## USOP 303 - CONTACT AND COORD PTS

### 303.01 - CONTACT PT

1. Composition:
  - a. a pt on the grd manned by a det from the fmn nearest to the bdry but reporting dir to the unit nearest the bdry;
  - b. a det of not less than three all rks mtd in a veh;
  - c. each det is to have comms to its parent unit/fmn;
  - d. in the case of different nations manning a contact pt, the working language should be one of NATO language (Eng or French); and
  - e. as far as possible the same indiv should be assigned to the task and not constantly changed.

2. Estb of Contact Pt. Before estb a contact pt the fol info must be known by both parties:

- a. six fig GR of the pt plus a description of the loc;
- b. time at which the pt is to be manned;
- c. description of other det manning the pt (e.g. str. Type and no of vehs expected - and distinguishing marks or signs);
- d. rte the det will approach from; and
- e. info to be passed.

### **303.02 - COORD PT**

1. A typical coord pt would be a pt on the FEBA through which covering force tps will move back.

2. Responsibility for the provision of LOs:

- a. fmn HQ is to send a LO to the coord pt;
- b. units conducting wdr are to send LOs to the coord pt to collect info about the mov back and to check units through; and
- c. unit holding grd where coord pt is sit is to be rep by LO or the coord pt gd comd.

### **USOP 304 - DMLS**

#### **304.01 - GEN**

1. Dml. The destr of structures, facilities or mat by use of fire, water, expl, mech or other means.

2. Directed Dml Tgts:

- a. A dml that is directed can be fired immed after prep on order of the offr to whom responsibility for the dml has been delegated. Restrictions may be placed on firing of tgts i.e. in order to maint the deception plan a restriction may be placed on the earliest firing time.
- b. Once a dml is completed to State 1 (SAFE) or State 2 (ARMED) it must be picketed until it is fired. Ideally, inf or armd recce will picket the tgt until the order to exec it is given. Pnrs and associated tps can exec dmls.

3. Res Dmls. A res dmls is con at a specific level of comd and can only be fired IAW the DND 913. The Dml Gd Comd will site his CP in a posn where it can best comd the entire site from the home side. The main dml firing pt should be co-loc with this CP. Three firing pts should be estb – two on the home side (a main and an altn) and one on the en side. The firing pts must protect the firing party from the eff of the blast as well as keeping the dml in full view. Prep of the DND 913 is the resp of the HQ of the Auth Comd.

#### **304.02 - RES DML**

1. Responsibilities of Auth Comd:

- a. Complete and issue the DND 913 form.
- b. Firing of Dml. He has three options:
  - (1) order dml fired on receipt of codewords from LO;

- (2) appt a subordinate as auth comd; and
  - (3) delegate the order to fire to the dml gd comd if the en are about to capture it.
- c. Provision of Dml Gd. He must provide a dml gd to ensure the secur of a res dml. Size and composition will take account of:
- (1) threat from grd and air;
  - (2) grd;
  - (3) whether dml may be blown if en is in the act of capturing it; and
  - (4) the importance of the dml to the def.
- d. Provision of Firing Party. There must be a dedicated firing party for each res.
- e. Comms. There must be dir comms between the auth comd and the dml gd comd. A subordinate comd delegated as auth comd must not assume responsibility until he estb his own comms. Comms may be:
- (1) LO from auth Comd's HQ;
  - (2) normal comms;
  - (3) arty comms to OP or arty tac gp with dml gd comd;
  - (4) extra set on auth Comd's own net; and
  - (5) engr net
2. Dml Gd Comd. Receives his orders on DND 913 form. Resp for:
- a. comd of all tps at dml site;
  - b. protection of dml site;
  - c. con of mov across dml site;
  - d. keeping auth comd info of sit;
  - e. on receipt of orders from auth comd, ordering dml firing party comd to change State of Readiness. This order must be given in writing on DND 913 form;
  - f. on receipt of auth comd's order, ordering dml firing party comd to fire dml, this order is given in writing on DND 913 form; and
  - g. reporting eff of dml to auth comd.
3. Dml Firing Party Comd. Resp for:
- a. maint of state of readiness ordered;
  - b. tech advice to dml gd comd, incl time necessary to change state of readiness;
  - c. changing state of readiness when ordered;
  - d. firing dml when ordered; and
  - e. reporting result of dml through engr channels.

4. Gp and Seniority:
  - a. Gp. Add to normal R and O Gps, consider:
    - (1) R Gp;
      - (a) AD det comd;
      - (b) Engr;
      - (c) protection party;
    - (2) O Gp;
      - (a) auth comd's LO;
      - (b) other LOs; and
      - (c) recce det comd.
  - b. Seniority. Compile a written seniority list showing all offr, WOs and snr NCOs of dml gd and the dml firing party. Ensure pers all know their own posn on the list. Ensure dml firing party comd knows of list. Dml firing party comd provides seniority list to dml gd comd.
5. Siting of CP and Altn CP. Add to normal factors:
  - a. collocate dml gd comd and dml firing party comd;
  - b. CP should have good view over dml but be safe from blast and debris; and
  - c. CP should be large enough for LO of auth comd and his comms.
6. Manning of CP. Fol should always be present:
  - a. dml gd comd or his 2IC;
  - b. dml firing party comd or his 2IC; and
  - c. LO of auth comd.
7. If dml is handed over to another gd without issue of new DND 913 form, hand form to incoming (Accepting) comd. The outgoing (Transferring) comd is given and retains a signed statement. If new DND 913 form is issued, complete para 11 of old form. Outgoing (Transferring) comd retains form.

## **USOP 305 - LEAGUER, HIDE, HAR, WA**

### **305.01 - DEFINITIONS**

1. A leaguer is a def fmn adopted by armd or mech forces while they replen, maint and rest. A leaguer is sometimes concealed, adopted by a force for admin convenience and protection.
2. A hide is a loc that tps occupy before mov to battle or fire posns. A hide is simply an area offering concealment where a force waits before ops or mov into battle posns.
3. A har is a temp area that permits dispersal and concealment during rest, maint replen or other admin activities. It is an area where en interference is considered unlikely and where the emphasis is on admin convenience.
4. A WA is a loc adjacent to the rte or axis that may be used for the dispersal of veh, tps and eqpt, while an elm is waiting to resume mov (ATP 35(A)).



### 305.02 - LEAGUER RAD ORDERS

1. The format for leaguer occupation orders is as follows:
  - a. GR (encoded);
  - b. dir (e.g. facing north);
  - c. rte (enter from dir);
  - d. order of march;
  - e. timings; and
  - f. resup.

### LAYOUT OF A LEAGUER AND HIDE

2. Figure 3-1 and 3-2 show examples of a leaguer and of a hide.

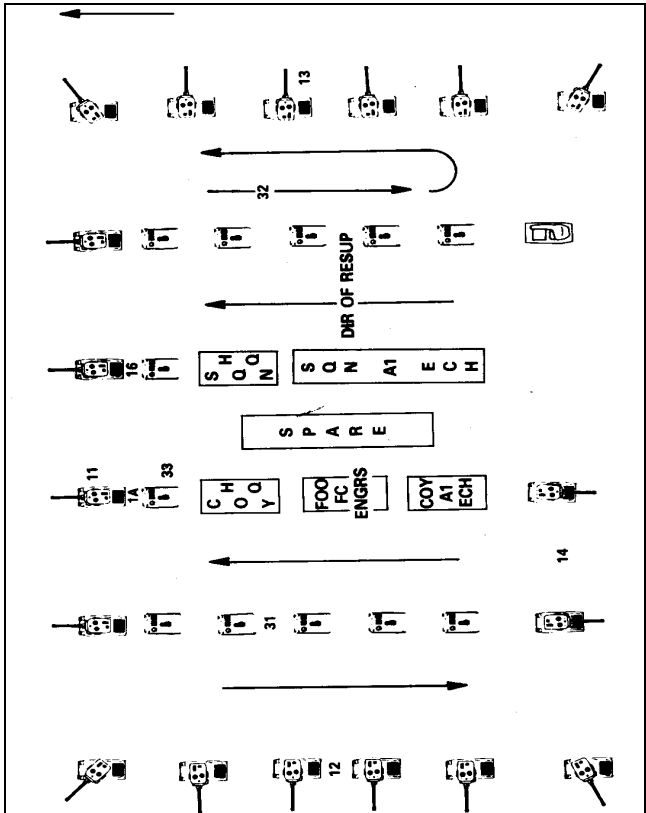
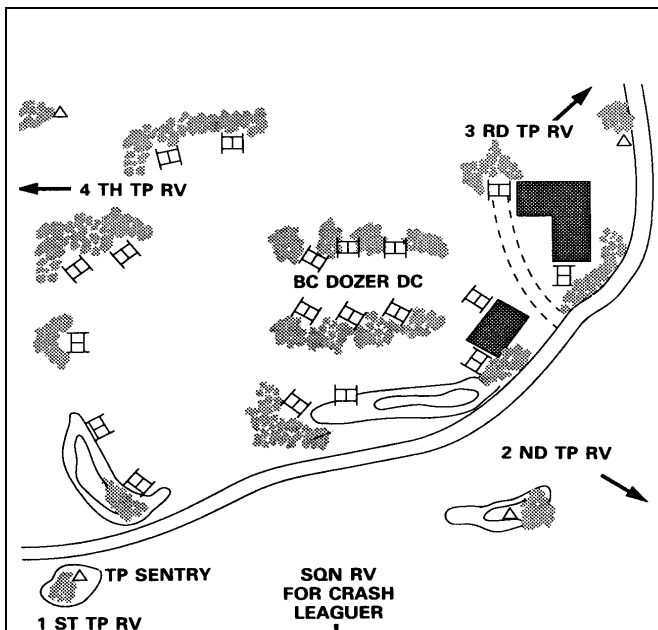


Figure 3-1: Schematic Layout of CBT TM Leaguer



**Figure 3-2: Typical Layout of Tk Sqn Hide**

**305.03 - LEAGUER OCCUPATION DRILL**

1. Normally, tks move into posn first allowing sufficient distance for inf and ech vehs. If inf are in loc first, sufficient space must be left for tks on the perimeter.
2. The fol actions take place:
  - a. issue of leaguer occupation orders;
  - b. adopt order of march and move to leaguer loc;
  - c. turn off speakers, heaters, internal lts and secur cargo hatches en rte;
  - d. tps/pls shake out well to the rear of the leaguer loc to get into posn;
  - e. veh trk one another;
  - f. vehs mov fwd slowly to take up posn and halt, tks facing out;
  - g. first tp form front, second tp left, third tp right, fourth tp rear;
  - h. cbt tm HQ and inf pl join leaguer using same drill;
  - i. veh switch off indiv;
  - j. tk guns and inf MG traverse to cover arcs;

- k. sentries from "C" call sign with rad, depl front, rear and to both sides of leaguer immed;
- l. sentries give "in posn" by rad/hand/or lt sig;
- m. after the last veh has switched off there is two min of silence. Crews watch and listen;
- n. stand-to cont until all sentries report their sectors clr;
- o. cbt tm HQ reports area clear;
- p. tk tp ldrs coord tp arcs with the tk tp to their right;
- q. ech is ordered to join leaguer;
- r. sub-unit comds report to cbt tm HQ with admin reqr and veh state 10 mins fol report of area clear; and
- s. arcs of responsibility, loc of secur elms and crash RV's are coord by cbt tm HQ.

### **305.04 - LEAGUER ORDERS**

1. They contain the fol:
  - a. tac sit;
  - b. expected duration of stay;
  - c. state of readiness;
  - d. def reqr incl sentries, stand-to and con of fire;
  - e. cfm of RV's for crash leaguer action;
  - f. order of march for routine departure;
  - g. comm reqr;
  - h. pri of work incl protection, cam, digging, maint and feeding;
  - i. admin; and
  - j. secur pts incl:
    - (1) OP's and ptls incl loc, rtes in/out and recognition sigs;
    - (2) NBC and air sentries;
    - (3) obs plan incl trip flares and mines;
    - (4) stand to, alarm system and fire con;
    - (5) arcs of responsibility, arcs of fire and rge cards;
    - (6) arty tgts and DF lists; and
    - (7) trenches and veh scrapes;
  - k. cam;
  - l. comm incl line, runners and instr for rad silence;
  - m. noise and lt discipline; and
  - n. password.
2. Notes on short rad Os:
  - a. BG rel P at cross-rds (six figures grid);

- b. order of march - C Coy, B Coy, Bn HQ secur elms, (if not alloc coys), A Sqn, A Coy;
- c. existing rds and trks are used whenever possible; and
- d. a guide from each coy meets his sub-unit at the BG rel P and guides it to the entrance of the har. There pl/tp guides meet and lead/dir them to their locs.

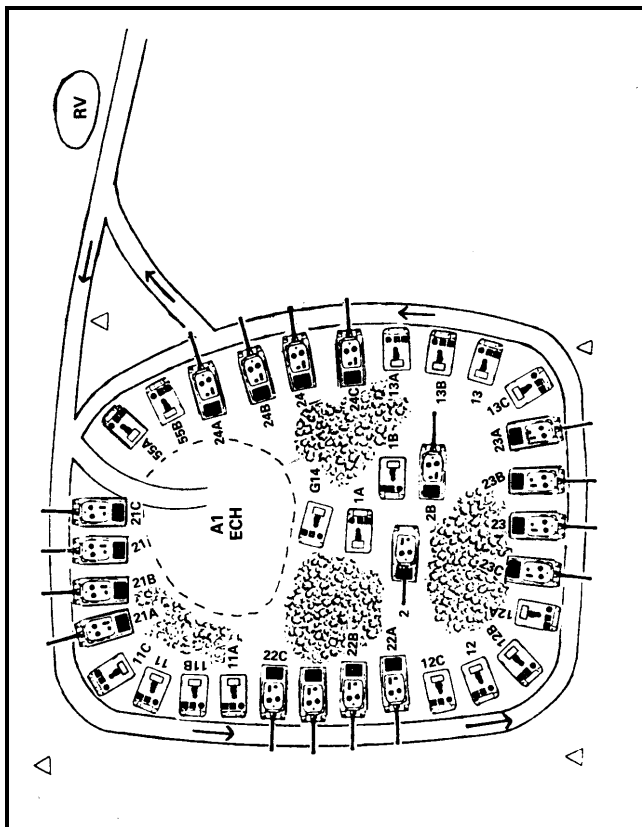
### 305.05 - HIDE/WA DEPARTURE AND CRASH DRILLS

1. Routine and Crash Departure drills are conducted as fols:

ACTIONS	ROUTINE DEPARTURE DRILL	CRASH DRILL
ALERT.	Wng O, state of readiness, or mov order by runners/line/or rad.	Quickest means.
Rad on.	On order or on Cobra.	ASAP after alert.
Engine Start-up.	Upon receiving START-UP.	ASAP.
Sentries in.	On START-UP.	On START-UP.
Departure.	On order according to plan, order of march and timing fol the trk plan.	On "CRASH_CRASH_CRASH" by the cbt tm HQ by pre-designated rtes.

### 305.06 - HIDE/HAR AREA LAYOUT

1. Hide and har may be loc in woods or in villages to gain the best advantage of cover and concealment from grd and air.
2. There are three main types of hide/har layout:
  - a. linear is along the edge of a wood, hedgerow, or village, primarily used as hide/har as all round def is very limited;
  - b. internal is dispersed from a trail or rd, through woods or village again possibly limiting arcs of fire and good all round def, primarily used as a hide; and
  - c. perimeter is around the outer edge of a wood or village offering easy entrance and exit and good all round def, primarily used as a hide.



**Figure 3-3: Example of perimeter Hide/Har Layout**

**305.07 - HIDE/HAR PRELIM OCCUPATION ORDERS**

1. Pts for inclusion in prelim hide/har occupation orders are as fols:
  - a. Call sign will occupy a hide/har area at GR \_\_\_\_\_ (encoded);
  - b. recce party details incl \_\_\_\_;
    - (1) comd (if different from SOPs);
    - (2) RV GR \_\_\_\_\_ (encoded);
    - (3) time of RV \_\_\_\_ hrs; and
    - (4) departure time \_\_\_\_ hrs;
  - c. RV with guides GR\_\_\_\_(encoded) at \_\_\_\_\_ hrs;

- d. main body details incl:
  - (1) NMB/move at \_\_\_\_\_ hrs;
  - (2) order of march;
  - (3) rte to RV;
  - (4) speed;
  - (5) distance;
  - (6) spacing;
  - (7) halts, and
  - (8) straggler RV;

### 305.08 - HIDE/HAR RECCE PARTIES

1. The ideal composition of a hide/har recce party is as fols:

CBT TM ELM	RECCE PARTY
Cbt Tm HQ	Hide/har Master is battle Capt, Coy 2IC,SSM or CSM. Guides designated as fols:
Inf	PI 2IC and one guide per pl.
Armd	One guide per tp.
Engr	One guide per tp.
Sp Arms	One guide each.
A1Ech	One guide each.

2. Eqpt carried by recce parties normally incl:
  - a. wpns both pers and veh mtd wpns;
  - b. rads both veh and manpack;
  - c. battle order incl NBC eqpt;
  - d. rats for one day;
  - e. flashlt and filters;
  - f. veh posn markers; and
  - g. CEOI.

### 305.09 - DUTIES OF HIDE/HAR MASTER

1. Receive prelim brief on fol pts:
  - a. tac sit;
  - b. loc of cbt tm area and altn;
  - c. rte to and loc of cbt tm RV;
  - d. timings to incl move of recce party, main body and ETA at RV; and
  - e. RV for crash hide/har.
2. Gather, brief and move recce parties to hide/har loc.
3. Recce asg areas and select hide/har.
4. Conduct a sweep of hide/har to ensure it is clr of en mines, obs and NBC contam.

5. Alloc: areas to sub-units incl cbt tm HQ and ech incl trk plan and crash RVs.
6. Alloc, arcs of responsibility to each sub-unit.
7. Determine secur tasks and site sentry loc.
8. Select altn hide/har if not already alloc/do recce.
9. Ensure that guides know the loc of all sub-unit areas, the cbt tm RV, the crash hide/har RV and rtes and make sketch of hide/har for OC.
10. Send hide/har report to OC and send guides to meet cbt tm at RV.
11. Prepare draft hide/har orders (if time permit).

### **305.10 - DUTIES OF A HIDE/HAR GUIDE**

1. Select and mark posn for each veh.
2. Prep sketch of hide/har.
3. RV with sub-unit.
4. Brief the sub-unit comd on the fol pts:
  - a. arcs of responsibility and secur tasks;
  - b. loc of cbt tm RV for crash hide/har;
  - c. loc of cbt tm HQ and other tps, incl sentries;
  - d. rtes and trk plan; and
  - e. admin details.
5. Within a hide/har, pri of work is normally:
  - a. secur;
  - b. resup;
  - c. maint, and
  - d. rats.

### **305.11 - HIDE/HAR OCCUPATION DRILL**

1. Sub-units meet guides at RV.
2. Guides lead their tp/pl into posn using the in rte and fol the trk plan.
3. Vehs are indiv posn, to allow a fwd exit.
4. Vehs switch off indiv.
5. After the last veh has switched off, there is a pd of two mins silence while crews watch and listen.
6. Estb secur.
7. Stand-to cont until sentries report their area clr.
8. Tk tp ldr coord tp arcs with tp on the right.
9. Arcs of responsibility, locs of secur elms, and crash RVs are coord by cbt tm HQ.
10. Cbt tm comd issues orders, similar to those for occupying a leaguer at 305.02/04.
11. Sub-unit comds report to cbt tm HQ with admin reqr and veh state 20 mins fol engine shut down.

### **305.12 - SECUR**

1. The best way to achieve secur is by maint discipline while occupying a hide/har:

- a. cam nets are up at all times incl ni;
- b. Its are restd as fols:
  - (1) only filtered It is used and only if nec;
  - (2) all It sources are switched off or masked;
  - (3) reflective surfaces are covered;
  - (4) no smk in open during darkness; and
  - (5) no cooking in open during darkness;
- c. use active surv devices according to SOPs;
- d. noise is reduced to the min:
  - (1) all speakers off;
  - (2) min conversation in low tone of voice;
  - (3) care in using tools and hatches;
  - (4) generators buried and use restricted; and
  - (5) ramps and cargo hatches remain closed;
- e. comm if sit permits, max use of tel line with disconnected ringers, or runners;
- f. maint trk discipline;
- g. stand-to as ordered but alerts are conducted irregularly by day and ni.

### **305.13 - NBC CONSIDERATION**

- 1. Contam avoidance:
  - a. Where possible site hides/hars and hides to make max use of the protection against liquid contam provided by barns and factory complexes.
  - b. Where woods have to be used, cover eqpt with protective sheeting.
- 2. Collective protection. All pers should have access to secure shelters or protected area for a min of 4 hrs in 24.

### **USOP 306 - RGE CARDS**

- 1. Prep rge cards as soon as posn occupied.
- 2. All Arms Rge Cards. Figure 3-4 shows an All Arms Rge Card. If none are aval, produce rge card in this format from local mat.



N

LOA/ADG: \_\_\_\_\_ ROA/ADD: \_\_\_\_\_

LOCATION: _____		DATE: _____		
METHOD/METHODE: _____				
MADE BY/REDIGE PAR: _____				
NO	GRID COORD	BEARING AZIMUTH	DISTANCE	REMARKS REMARQUES

Figure 3-4: Rge Card

## **USOP 307 - HEL OPS**

### **307.01 - GEN**

1. The aim of this USOP is to provide units with info on avn low level tac SOPs, reqr to empl 1 Wing hel.
2. The intro of Night Vision Goggles (NVG) to CA Tac Avn in 1990 resulted in a much increased capability to provide low level, tac ni sp. There are certain condition where the existing lt level is so low that insufficient lt exists to allow safe low level flt.
3. There exists a period of time at sunset and sunrise where there is either not enough lt to day tac fly or too much lt to ni tac fly with NVG's. The length of this period of time is mainly dependent on the speed of the setting or rising sun. Longer periods exist in northern and southern latitudes while shorter periods exist near the equator.
4. Due to the complexities of NVG flt more coord is reqr for both msn and flt planning. More time must therefore be allowed for battle procedures. Virtually all msn profiles can be flown using NVGs, although the task efficiency of some are greatly reduced due to their limitations (example - recce and obsn).

### **307.02 - TASKING HEL**

1. During ops a unit that does not have hel ress or the appropriate type and quantity of hel ress grouped with it, but which reqr hel sp for a specific task or period of time, may req this sp using the HELQUEST format to be founded at USOP 705.04 and by adopting the fol procedures:
  - a. Units should fwd HELQUEST to Bde HQ on the comd net. Msn acceptance will be passed back to the requesting unit using the same means by which it was received. The acceptance will normally incl such pertinent msn detail as Time on Task (TOT), no and type of ac and coord reqrs.
  - b. The req for tac avn sp incl a no that indicates the type of msn req and ident the requesting unit. If the msn req is accepted, the req no becomes the msn no. The req no consists of a single digit prefix specifying the type of msn, fol by a single letter and three digits ident the requesting unit and the specific task. FSOP 306.12 designate specific no and letters to be used.

### **307.03 - IMMED HEL REQ**

1. It is accepted that there will be occasions when critical reqs for immed avn sp will arise, such as in the case of mass cas evac. Reqrs for immed sp fol the same rte as do HELQUEST, however, they are normally passed by rad using an abbreviated format and should normally be given pri over other HELQUEST.
2. The format for an immed req is based on the HELQUEST format but only the fol essential info need be incl:
  - a. proword to indicate task or req;
  - b. ident of requesting unit and req/msn no (WHO); and

- c. description of msn, incl:
  - (1) ALPHA - Description of task (WHAT);
  - (2) BRAVO - Timing and duration of task (WHEN);
  - (3) CHARLIE - Pick up pt - Destination (WHERE);
  - (4) DELTA – Con and Coord (HOW); and
  - (5) ECHO - Special Instructions.

### **307.04 - COMMS TAC HEL**

1. When not involved on other dedicated user freq, 1 Wing helms mon VHF FM Emergency freq of 40.5 MHZ. This is referred to as the FM Gd freq. This gd freq is for emergency use only, all grd units should be aware of its existence. Knowledge of this GRD freq may be of special importance in an emergency casevac or extraction sit". The unit calling should state the hel's loc and dir of flt as fol:
  - a. "Hel over hill 610 flying North at low alt, this is 21 on FM GRD. Contact me on - (freq or codewords)".
2. FM HOMING. All hel are capable of finding a unit loc by homing on their rad. This procedure is called "Homing". The rad procedure for homing is:
  - a. Hel. "32 this is Hotel 12, transmit 15 secs for homing over"; and
  - b. CS 32. "32 ROGER" (grd sta keeps transmit button depressed for req no of secs) "32 out".
3. Whenever Comm Elec Op Instr (CEOIS) are issued that incl codewords for homing, the codewords will be used, all other procedures will remain the same.
4. During the no-voice trans, the plt will steer towards the unit loc. If the plt reqr further dir assistance, the procedure will be repeated.
5. Sta passage is difficult to determine and the user unit should advise the hel crew of their relative posn to the unit loc as soon as the hel comes into view. When passing dir info to the plts, give dir from unit loc to the hel as fol:
  - a. Example 1. "Hotel 12 this is 32, you are south of my loc over"; or
  - b. Example 2. "Hotel 12 this is 32, you are Northwest 500 m over".
6. Visual aids such as flares, smoke, lts or fluorescent panels may be displayed when the hel so req. For obvious secur reasons the fol procedures must be fol:
  - a. grd unit displays visual aid on req, (usually coloured smoke);
  - b. plt states colour seen; and
  - c. grd unit cfm colour is correct.

### **NOTES**

1. Smoke generator to be placed downwind from the LZ.
2. Panel, when used, to be removed from LZ when hel is on final approach.



## **PART 4 - FIREPOWER**

### **USOP 401 - INDIRECT FIRE SP**

#### **401.01 - GEN**

1. This USOP is applic to indir fire sp which incl:
  - a. mor;
  - b. guns/howos; and
  - c. MLRS.
2. The coord of CAS res are covered in FSOP 402.
3. Loc arty and arty int are a fmn function and are detailed in FSOP 401.

#### **401.02 - FIRE SP COORD MEASURES**

##### Definitions & Characteristics

1. Canada has agreed to the following NATO fire support coordination measures:
  - a. Fire Support Coordination Line (FSCL). A FSCL is a line established by a surface force commander to denote coordination requirements for fire by other force elements, which may affect his current operations. The FSCL applies to fire of air, ground or sea weapon systems using any type of ammunition against surface targets. Within an area of operations the associated surface force commander is responsible for establishing any FSCL. The establishment of the FSCL must be coordinated with the appropriate air commander and other supporting elements. Attacks against surface targets short of the FSCL must be conducted under the positive control or procedural clearance of the associated surface force commander. Commanders of forces attacking targets beyond the FSCL must coordinate with all affected commanders in order to avoid fratricide and to harmonize joint objectives.
  - b. No Fire Line (NFL). A NFL is a line short of which indirect fire systems do not fire except on request or approval of the commander who established the line, but beyond which they may fire at any time without danger to friendly troops. The NFL is used to expedite the quick attack of targets beyond it by fire support units (of higher levels), without the delay of unnecessary coordination but also to guarantee that no targets are attacked short of it without coordination with the responsible manoeuvre commander. The commanders of division or brigade size forces normally establish the NFL. On occasion, the commander of a battalion-sized force may establish a NFL.
  - c. Free Fire Area (FFA). A FFA is a specific designated area into which any weapon system may fire without additional coordination with the establishing headquarters. The FFA is used to expedite fires and to facilitate the jettison of munitions when aircraft are unable to drop them on a target area. Usually, a division or higher commander establishes

the FFA. It is located on identifiable terrain when possible or by grid designation when necessary.

d. Restrictive Fire Line (RFL). An RFL is a line established between converging friendly forces (one or both may be moving) that prohibits fire or effects from fire across the line without coordination with the affected force. The purpose of a RFL is to prevent interference between converging friendly forces. It will be established by the HQ that controls both forces, based on submissions from them. This line is placed on identifiable terrain, usually closer to the stationary force.

e. Restrictive Fire Area (RFA). A RFA is an area in which specific restrictions are imposed and in which fire that exceeds those restrictions will not be delivered without coordination with the establishing headquarters. The purpose of a RFA is to regulate fire into an area according to stated restrictions. A RFA is established by manoeuvre battalion or larger ground forces or by an independently operating company. Usually, it is located on identifiable terrain, by a grid reference or by radius (in metres) from a centre point.

f. No Fire Area (NFA). An NFA is an area into which no fires or the effects of fires are allowed. The NFA is usually established by a division or corps on identifiable terrain, when possible. The purpose of a NFA is to prohibit fire or their effects in the area. Two exceptions are:

- (1) when the establishing headquarters approves fire temporarily within the NFA on a mission-by-mission basis; and
- (2) when an enemy force within the NFA engages friendly troops the friendly force commander may engage the enemy to defend his force.

g. Airspace Coordination Area (ACA). An ACA is a restricted area or route of travel specified for use by friendly aircraft and established for the purpose of preventing friendly aircraft from being fired on by friendly forces. The purpose of the ACA is to allow simultaneous attack of targets near each other by multiple fire support means, one of which normally is air. An ACA is established by the FSCC at brigade level and higher. The area will be designated by timings, grid references of a centre line, width on either side of this line, and a maximum and minimum altitude in feet. An ACA is placed on call and fire will not be delivered through it without the permission of the FSCC that ordered its adoption.

2. In addition to the above measures, unit and formation boundaries also serve a coordination function. Boundaries are used by the manoeuvre commander to indicate the geographical area for which a particular unit is responsible. They describe a zone of action or sector of responsibility for a manoeuvre unit. Normally, they are designated along terrain features easily recognizable on the ground. Boundaries are both permissive and restrictive in nature. They are restrictive in that no fire may be delivered across a boundary unless the fire is coordinated with the force having responsibility within the

boundary or unless a permissive fire support coordinating measure is in effect that would allow firing without further coordination. Boundaries are permissive in that a manoeuvre commander, unless otherwise restricted, enjoys complete freedom of fire and manoeuvre within his own boundaries. Normal unit and formation boundaries, extended into enemy territory, establish the lateral limits for coordination. Rear boundaries must also be respected.

#### Summary

3. Fire support is the collective and coordinated use of land and sea-based indirect fire systems, armed aircraft and offensive IO in support of a battle plan. Fire support involves the integration and synchronization of fire and weapon effects to delay, disrupt or destroy enemy forces, combat functions and facilities in order to attain operational and tactical objectives. It plays a key role in the dynamic forces of fixing and striking within the framework of deep, close and rear operations.

4. The activities of the fire support system must be closely integrated with the manoeuvre commander's concept of operations and plan, the system must operate as one force and it must be responsive to the needs of the supported unit or formation commander. Fire support coordination, which is the responsibility of the senior artillery commander, enables the necessary advice, planning and execution of fire support so that the right targets are attacked to achieve the manoeuvre commander's intended effects. To effect the required coordination, the artillery commander establishes an FSCC within the operations centre of the supported unit or formation headquarters. The coordination process is further refined by the use of fire support coordination measures, which set conditions on the application of fire within designated areas.

5. Further detail on the subject of fire support may be obtained from the following reference manuals :

- a. BGL-371-001/FP-001/2 Field Artillery Doctrine (TBI); and
- b. STANAG 2934 AARTY P-1 Artillery Procedures.

### USOP 402 - DIR FIRE SP

#### 402.01 - WPNS DATA

Ser Wpns and Eqpt	Rge	Basic Ld	Maint Ld	Ammo Type	Rate of Fire
(a)	(b)	(c)	(d)	(e)	(f)
C7 (M16A2)	400 m	350 rds per	120 rds per	Ball, tracer	Normal 5 rds/min, Rapid 20 rds/min
C8 (M16A2 CARBINE)	300 m	350 rds per	120 rds per	Ball, tracer	Normal 5 rds/min, Rapid 20

Ser Wpns and Eqpt	Rge	Basic Ld	Maint Ld	Ammo Type	Rate of Fire
(a)	(b)	(c)	(d)	(e)	(f)
					rds/min
C9 (MINIMI)	600 m	800 rds per	250 rds per	Ball, tracer	Sustained 750 to 1000 rds/min
C6 (FN MAG 58) GPMG	1200 m	armd 5060 inf 1760	220	Ball, tracer	Normal 110 rds/min, Rapid 220 rds/min
HMG 50 Cal	800 m 1200 m			Ball a. Pers 2 000 m b. tracer c. C44 AP Anti BMP 800 m	Normal 40 rds/min, Rapid 100 rds/min
C3 Sniper Rifle	600 m	30 rds per	5 rds per	Ball	
M-72 - SRAAW(L)	125 m	3/Trk Veh 1/Wh veh	25 rds	HEAT	Shot disposable
Carl Gustav - SRAAW(H)	300 m	6 rds per	2 rds per	HEAT	Max 4-5 rds/min
SRAWW ERYX	600 m	12 rds per	4 rds per	HEAT	1 to 3 rds/min depending on rge (600 m in 13 Secs)
TOW II	3750 m	36 rds per	12 rds per	HEAT	2-3 rds/min depending on rge (3 000 m in 15 Secs)
Leopard 105 mm	4000 m 2400 m 4000 m			HESH APFSDS SMK	
LAV 3 /COYOTE (25 mm Cannon)	3000 m max eff, vs IFV 1000m	2400 rds per	1200 rds per	a. HEI-T , b. APDS VS APC	1rds/min
Lt MOR 60 mm	HE w/bipod –	64 rds per	32 rds per	HE	a. Normal 18 rds/min



Ser Wpns and Eqpt	Rge	Basic Ld	Maint Ld	Ammo Type	Rate of Fire
(a)	(b)	(c)	(d)	(e)	(f)
	25 – 1700m, w/o bipod – 100-700m, Smk w/bipod – 25-1450m, W/o bipod 100-700m, Illim w/bipod – 375-1600m, W/o bipod 300-765m				b. Rapid 25 rds/min
MED MOR 81 mm	HE/WP - 70-5500m, Illum – 700-5000 m			HE/WP?ILLUM.	Normal: 20 rds/min - 1 min; 15 rds/min - 3 mins; Sustained - 12 rds/min.
HY MOR 120 mm	1100-8135 m	150 rds per	50 rds per	150 wpn a. HE, smk, ill PRPA (HEWITH RAP) PRBA (ACTI-LT ARMD)	Normal 18 rds/min - 1 min; 6 rds/min - 3 mins; Sustained - 2 rds/min.
MED SP 155 mm	a.18000 m b.23000 m c.18000 m d.18000 m e.18000 m f.17500 m g. TBC h. TBC	450 rds per	194 rds per	a. HE b. HE RAP c. Smk d. Illum 1 Grid square e. VT f. DP ICM g. Scat mins	Normal 3 rds/min - 1 min; 2 rds/min- 3 mins; Sustained - 1 rd/gun/ min

Ser Wpns and Eqpt	Rge	Basic Ld	Maint Ld	Ammo Type	Rate of Fire
(a)	(b)	(c)	(d)	(e)	(f)
				(RAAMS/ ADAM) h. Copperhead	
LL PT MSL (JAVELIN)	3000 m	10 rds per	2 rds per	HE	1.rd/min
PT GUN (SKYGARD)	4000 m	675 rds per	225 rds per	a. HE-T b. APDS-T gun c. HE- incendiary	550 rds/min
LL AREA MSL (ADATS)	1000 / 8000 m	12 rds per	4 rds per	HE msl	NO BASED ON DISTANCE FIRE – 4 rds per launcher

### USOP 403 - ALL ARM AIR DEFENCE (AAAD)

#### 403.01 - GEN

- There are two types of AAAD – active and passive.
- Eqpt that may be depl in fmn or BG areas are cl as SHORAD wpns:
  - Area Air Def: ADATS & SKYGARD.
  - Close Air Def: JAVELIN.
  - Self-Def: AAAD wpns - MMG, LMG and SA.
- Wpn Con Orders (WCOs).
  - Wpns HOLD. Engage only in self-def.
  - Wpns TIGHT. Only engage tgt if:
    - recognised as hostile; or
    - committing an hostile act.
- Cancellation. After engagement, wpns revert to previous WCO. Issue of a new WCO cancels a WCO.

#### 403.02 - ACTIVE

- All elms of the unit must be capable of defending themselves against hostile ac. This capability is known as “AAAD” and embraces all non-specialists AD wpns used against the hostile ac.
- Counter-Measures (CMs). CMs incl the passive measures described at USOP 203 and the active measures described in this USOP. Active CMs incl:
  - evasive action; and
  - aggressive action.

#### 403.03 - PASSIVE

- USOP 504 describes the passive measures that should be used by all units to ensure their protection against atk from the air.

## **PART 5 - PROTECTION**

### **USOP 501 - NBC DEFENCE (NBCD)**

#### **501.01 - NBCD COMD AND CON**

##### **1. Responsibilities:**

###### **a. Comd. The comd must:**

- (1) consider NBC related factors while preparing est in the planning ph of an op;
- (2) order the NBC State;
- (3) order the activation of the NBCD Cell;
- (4) order the activation of NBCD svy tms and NBCD sentries;
- (5) order op decon; and
- (6) appt NBCD O.

###### **b. NBCD O. The functions of the unit NBCD O are:**

- (1) advise the comd on NBCD matters;
- (2) organise and operate the NBCD Cell;
- (3) organise unit NBCD trg; and
- (4) maint ln with flanking units NBCD Os.

###### **c. NBCD Cell. This cell will be activated during an active or potentially active NBC environ. It will comprise the unit NBCD O, an NBC NCO and two jr NCOs. Once activated, this cell must operate 24/7 with at least the unit NBCD O or the NBCD NCO present and should be co-located with the unit CP. The NBCD Cell will be resp for:**

- (1) reporting the initial en use of nuc, bio and chem wpns by the most expeditious means aval (NBC1);
- (2) coord the unit NBC wng and Reporting System(higher, lower and flanking);
- (3) coord svy and recce tasking;
- (4) coord unit and sub-unit op and complete decon;
- (5) receipt, collation and dissemination of NBC report, wng and alarms;
- (6) maint an up-to-date display map of NBC atks of op significance;
- (7) maint records of NBC contam areas and rtes, area radiation intensities in the unit area of interest;
- (8) maint records of unit and sub-unit Radiation Exposure States (RES);
- (9) forwarding samples of NBC agents to higher HQ; and
- (10) coord NBCD eqpt and mat resup.

###### **d. NBC Svy tms. NBC svy tms must be capable of performing rad and chem svy as dir. They will be estb on order for each sub-unit. Each**

tm of a min of two pers (one recorder and one tester) for NUC and BIO svy tms and of a min of five NBCD qualified pers to conduct chem svy. Duties will incl any or all of the fol:

- (1) rte and area recce to determine contam areas;
- (2) signing of contam areas and safe rtes;
- (3) ident and sampling of NBC agents;
- (4) collecting info for the preparation of NBC reports 4, 5 and 6; and
- (5) maint allotted NBCD eqpt.

e. NBC Decon tms. NBC decon tms will be estb on order for each sub-sub-units. The tm composition will vary in size according to the decon reqr. Their duties will incl NBC sentries.

### 501.02 - NBCD HAZARD AVOIDANCE

1. NBC Reporting as per USOP 704, sect 3.
2. Mission Orientated Protective Posture (MOPP)

NBC Dress State (1) (2)	Meaning
MOPP Ready (3)	Mask carried. 1 <sup>st</sup> set IPE aval within 2 hrs 2 <sup>nd</sup> set IPE aval within 6 hrs
MOPP 0	Mask carried. IPE immed aval
MOPP 1	Mask carried. Suit worn, boots and gloves carried.
MOPP 2	Mask carried. Suit and boots worn, gloves carried.
MOPP 3	Mask carried. Suit, boots and gloves worn.

### NOTES

1. To any of the above categories, the word **mask** is added to signify that it is worn with the eqpt also worn at the MOPP level. (E.g. MOPP 2 Mask).
2. Recognizing risk mgt, the suffix **JACKET OPEN** or **JACKET OFF (Down to the waist)** can be added to dress categories 1, 2 or 3.
3. Recognize of airmobile, AB and light forces.

### 501.03 - PROTECTION OF INDIV AND UNIT EQPT AND SUP

1. Recommendation according to threat:

<b>NBC THREAT</b>	<b>THREAT DEFINITION</b>	<b>RECOMMENDED ACTIONS</b>
LOW	En has off NBC capability but there is no indication of use in immed future.	<p>INDIV MOPP 0. Check IPE for svc. Review NBC drills and alarms. Decon utensils before drinking and eating.</p>
		<p>UNIT Cover water and food sup. Check NBC eqpt for svc and ensure holdings are current. Check that coll protection (COLPRO) components are complete and svc.</p>
MEDIUM	NBC wpns have been used in another op area and/or there are strong indications that en will use NBC wpns in immed future.	<p>INDIV MOPP 0 (<b>NUC THREAT only</b>). MOPP 1, 2 or 3 (CHEM/BIO THREAT). Posn 3-way detector paper on IPE. Ensure NBC mask ready for immed use. Ensure canteen is full of water.</p> <p><u>UNIT</u> Order BCW Survival Rule (AROUSE) into eff. Post NBC sentries. Posn 3-way detection paper on vehs within dvrs view. Activate unit detection, alarm and reporting systems. Prep med facilities to receive NBC cas.</p>

NBC THREAT	THREAT DEFINITION	RECOMMENDED ACTIONS
		<p>On fm order, issue and commence taking pyrodistigmine bromide tablets (one/8hrs).</p> <p>Cover food and water.</p> <p>Place max pers under cover.</p> <p>Close vehs and bldg windows, doors and hatches.</p> <p>Cover vulnerable eqpt and mat.</p>
HIGH	NBC atk is imminent in immed area.	<p><u>INIDV</u></p> <p>MOPP 0 (<b><u>NUC THREAT ONLY</u></b>) (<b><u>NOT IN FALLOUT ZONE</u></b>).</p> <p>MOPP 3 MASK – Ordered only when absolutely nec, msn prevails.</p> <p><u>UNIT</u></p> <p>Close down all vehs and bldgs.</p> <p>Impose sector contam control:</p> <ol style="list-style-type: none"> <li>a. Assume all pers, mat and vehs entering a sub-unit area are contam until proven clean.</li> <li>b. Con the entry to con pts, COLPRO, vehs and covered spaces.</li> </ol> <p>Put COLPRO systems into state of readiness.</p>

2. Possible contam food is not eaten unless it has been checked and released for consumption by med pers. When in doubt, do not eat.

#### 501.04 - DRILLS & PROCEDURES

1. All pers must be fully conversant with the fol drills:
  - a. IA drill;
  - b. ID drill;
  - c. unmasking drill; and
  - d. BCW survival.
2. NBC SENTRIES are to be depl as per TAM 110.04.

#### 501.05 - FRIENDLY NUC STRIKE (STRIKEWARN)

1. In the event of a friendly nuc strike, the words DAZZLE, DAZZLE, DAZZLE will be passed at the time on tgt (TOT) minus 5 mins.
2. The fol drill will be completed all AFV's crews:

- a. posn veh behind cover pointed in the dir of blast;
  - b. guns over back deck;
  - c. sights and optics protected;
  - d. external stowage removed;
  - e. antennas removed;
  - f. electrical eqpt should be turned off until TOT plus 2 mins;
  - g. hatches closed;
  - h. all internal stowage secur;
  - i. master switch and all constant power circuits off; and
  - j. crews brace themselves and close their eyes.
3. NBC Reporting as per USOP 704, sect 3.

### **501.06 - CONTAM CON**

1. Pre-atk plans and procedures are to be made to avoid pers and eqpt becoming contam where possible. These are to incl:
  - a. hazard marking:
    - (1) orders for marking hazards;
    - (2) provision and checking of hazard marking signs; and
    - (3) coord of NBC hazard marking and NBC reco tms.
  - b. use of cover. Where possible, pers, eqpt and stores are to be placed under cover (Mylar if aval) to prevent dir contam should an atk occur. Cover gives protection from radioactive dust and most liquid bio and chem agents. Chem vapour in field concentrations is unlikely to cause contam; and
  - c. rte planning. Trk plans are to be laid down designating rtes where post-atk contam pick-up is least likely. These will be along roads or vegetation-free trks. Such trks will require recce to check for contam, particularly solid contam that is not absorbed into the surface.
2. In order to ensure that contam is being avoided, efforts must be made to locate and ident the nature and type of contam. This is achieved through NBC mon and svy tms. Units are resp for radiological and chem mon surveying.
3. Radiation Exposure State (RES). The RES system has been developed to assist comds in the planning of ops that must be conducted under conditions of radiological contam. The details of this system, incl reporting reqrs, are contained in TAM 504.

### **501.07 - LIMITATION OF SPREAD**

1. At unit level, limitation of spread can be achieved primarily through con of mov into and out of contam areas. The fol measures should be taken when a move is being conducted in an area known or suspected to be contam:
  - a. check all pers, vehs, and sup for contam prior to entering unit/fmn areas;
  - b. ident NBC sentries for railroad and rd move and NBC svy tms for rd moves;

- c. svy rtes, hides, battle posns etc. for possible contam;
  - d. avoid moving through a contam area if possible; and
  - e. mark contam vehs, pers, eqpt and areas.
2. When forced to cross a contam area, all vehs will halt at least 500m short of the contam, close all hatches and crews will don masks. Soldiers on board open vehs will assume MOPP level M3 Mask. When the move commences, the following precautions should be taken:
- a. extend interval to 125m and slow to 8 km/h;
  - b. improve shielding if time and mat permits;
  - c. avoid brushing under trees or driving through puddles;
  - d. assume a wedge or staggered fmn, do not follow dir behind the veh to the front and avoid any dust or debris thrown up;
  - e. after crossing the area, pers in MOPP 3 MASK will check for contam; and
  - f. based on the contam present and the tac sit, the comd may decon, continue operating closed down, or conduct the procedure before unmasking (IAW TAM 503.04) and give the "ALL CLEAR" and continue the msn.
3. Weather and Decay. NBC contam is reduced passively and progressively by the weathering of bio and chem agents and by the decay of nuc radiation. Before an atk, plans must be made designating eqpt and stores which, if contam, will be left either to weather or until the radiation has dropped to acceptable levels.

#### **501.08 - MARKING CONTAM AREAS**

1. Where an area has been contam, the unit resp for that area will be resp for posting NBC contam signs, not only for its own safety but also to prevent the risk of unnec exposure to other units or to those indiv who might unknowingly enter the area.
2. The std marking signs as prescribed at TAM 504 (STANAG 2002) will be used.
3. Areas that contain more than one type of contam will be marked with all relevant marking signs. Signs will be placed on the perimeter of the contam area close enough together to prevent unintentional entry. Markers will be left in place if the area is evacuated before contam becomes insignificant unless the area is to be abandoned to the en.

#### **501.09 - DECON**

1. Decon is a measure of last resort to be taken only when avoidance, limitation of spread and weathering and decay are unsuccessful in avoiding contam.
2. There are three categories of decon:
  - a. Immed Decon. Performed by the indiv on himself, using eqpt and ress immed aval, to enable him to remove gross contam from the body, clothing, eqpt and pers wpn.



- b. Op Decon. Performed using unit eqpt to reduce contam to a level that will allow current ops to continue. As a min, the contact areas of wpns and eqpt reqr by the immed sit will be decon.
  - c. Thorough Decon. Performed with assistance from a specialized unit to completely eliminate or neutralize the hazard to pers, clothing, eqpt, wpns, vehs and sup.
3. Immed and op decon is a unit responsibility to be carried out without assistance of a fmn/TF HQ. The conduct of thorough decon within the fmn/TF is the responsibility of the fmn/TF HQ.
4. The unit NBC O will con op decon via the unit NBC Cell.
5. Thorough Decon. The fmn/TF Supply Company Laundry, Bath and Decontamination (LBD) Pl is tasked to provide decon sp to all elms of the fmn/TF undergoing thorough decon. User unit will be resp to:
  - a. provide augmentation as tasked by higher HQ;
  - b. site and con the initial assy area;
  - c. site and con the final assy area; and
  - d. provide a LO.

#### **501.10 - HANDLING AND TMT OF NBC CAS**

1. Procedure for handling and tmt of NBC cas are provided in TAM 605.

#### **USOP 502 - PASSWORDS & CHALLENGING PROCEDURES**

##### **502.01 - PASSWORDS**

1. Passwords are issued by Fmn HQs and disseminated to unit HQs through Bde G2. They consist of challenge bigrams and answer bigrams (e.g. Challenge AA - Answer GG). They change daily at 1200hr local.
2. Compromise. If password is compromised, info local comd as quickly as possible.
3. Limitations. Passwords are only an indication of ident. Other methods of cfm ident are:
  - a. vis recognition;
  - b. ID cards (add evidence, not proof).
  - c. questioning.

##### **502.02 - CHALLENGING PROCEDURES**

1. Sentry's Actions.
  - a. Alert local comd (if possible).
  - b. HALT - HANDS UP.
  - c. ADVANCE ONE to be recognized.
  - d. HALT.
  - e. CHALLENGE (only if no vis recognition).
  - f. ADVANCE ONE.
2. Opening Fire. All rks must carry and adhere to the relevant orders for opening fire contained in ROE (USOP 109).

### 502.03 - CODEWORDS/NICKNAMES/PASSWORDS

1. The use of codewords and nicknames within the Unit is con by the Bde.
2. The Bde G2 will issue all codewords and nicknames to be used within the unit. The Bde G2 prior to each op will issue them to units singly or in blocks.

### USOP 503 - EMERGENCY ALARMS

Wng	Air Atk	NBC Agents	Air and NBC Clear
Vis Alarm Colour and Shape.	Red.	Black NBC Wng Rkt.	Remove/change vis sigs.
Vis Sig.	Crossing Arms above hd.	Mask Up.	
Audible Alarm.	Voice (e.g. Air Red!) Veh horn, Whistle blasts (3 sec on 1 sec off).	Voice (Gas, Gas, Gas!). Bang metal on metal.	Voice. Horn blast for 1 min.
NATO (Civ Def).	Warbling siren for 1 min.	Interrupted warbling siren.	Steady siren for 1 min.

#### NOTES

1. Alarms:
  - a. Alarms for grd atk to be in accordance with the tac sit.
  - b. Air Raid Wng states:
    - (1) Red: Atk Imminent.
    - (2) Yellow: Atk Probable.
    - (3) White: Atk Unlikely.
    - (4) Do not confuse with whistle sig for stand-to. There is no NATO agreement on sigs for stand-to. If whistle or horn sig is nec, use continuous blast.
2. Use vis sigs if poss.

### USOP 504 - INDIV & SUB-UNIT PROTECTION MEASURES

#### 504.01 - PROTECTION WHEN STATIC

1. Basic Drill:
  - a. get under cover;
  - b. mount sentries;
  - c. check area for mines, etc;
  - d. clearance ptls; and
  - e. practice stand-to.
2. Alert States. Order appropriate alert state, suggested state for units/sub-units:

- a. **GREEN ALERT** (Day only):
    - (1) NCO IC protection;
    - (2) one grd sentry;
    - (3) one chem sentry;
    - (4) one air sentry; and
    - (5) one on rad watch per sub-unit.
  - b. **AMBER ALERT** (Min for ni protection):
    - (1) grd sentries doubled; and
    - (2) one veh rads on standby per pl/tp.
  - c. **RED ALERT**
    - (1) comd IC protection;
    - (2) 100% stand-to; and
    - (3) veh crews mtd and ready to move.
3. **STAND TO:**
- a. when first occupying a new posn;
  - b. when atk by grd forces;
  - c. when warned of a specific threat; and
  - d. at comd's discretion.

## **USOP 505 - MINE WARFARE**

### **505.01 - MARKING**

1. During war ops, tac minefields must be marked when laid:
  - a. Fence on all sides. Use existing fences, single concertina or waist high single strand wire.
  - b. Fasten red triangular markers, some inscribed 'MINES' (in white) to fence at a max of 50 m intervals.
2. Marking. The fol guidelines apply:
  - a. minefields will be marked with a perimeter fence unless otherwise ordered. Existing fences may be used where suitable;
  - b. the fence will not conform to the shape of the minefield nor give away its extent. It will always enclose some un-mined grd;
  - c. the fence (on the en side) will not be obvious but must be visible to those who know its approximate posn; and
  - d. all fences, existing or emplaced, are to be marked with signs to show their nature.

### **505.02 - REPORTING AND RECORDING**

1. Own Minefields.
  - a. Protective. Info Engrs of any protective minefields laid if not picked up when unit redeploys. Plan minefields incl SM through Unit HQ. When laid, report should be submitted to Bde HQ, using format provide in USOP 704, sect 6, as reqr.

- b. Tactical. Const by engr. Records are fwd IAW para 4.
2. Send 'intention to lay' rep to Bde HQ (only if BG does not have obs emplacement auth).
3. En Minefields. Report en minefields with appropriate sers of OBSREP.
4. Recording. Record minefields on E122D (DND 2109). Four copies shall be prepared. Laying unit will retain one copy and fwd, through the chain of comd, the other three copies (1) the next higher comd (2) the appropriate fmn HQ and (3) the appropriate national territorial auth.
5. Records. Detailed records are not reqr for SM that have a self-destruct capability less than 24 hrs, however, they must be reported. Where SM are laid in an existing conventional minefield, the info must be added to the conventional minefield record. Engrs will record and template record on obs trace from reps of all SM with 24 hrs or over self-destruct fuses. The recording of SM is an engr staff resp utilising the SCATMINREP gathered from the delivery units.
6. Reporting. Due to the rapid decision making process inherent to SM the need to warn tps and report delivery is of utmost importance. The fol rep format will provide the nec info in order to serve three functions:
  - a. Wng (SCATMINWARN – FSOP 704.33). Used to warn friendly tps, if the use of SM is being considered in friendly areas and such use may prove a threat.
  - b. Reporting (SCATMINREP - FSOP 704.32). To be issued by the delivery/laying unit immed after completion of the SM.
  - c. Recording (OBSREP - USOP 704.16)). To be used to disseminate info on the empl of SM, both en and friendly. This info to be reported by both observers (i.e. en arty SM) or by delivery/laying units. More detailed info can be reported through an ENGRREP - FSOP 704.29.

### **505.03 - MARKING OF RTES THROUGH MINEFIELDS**

1. Marking. Minefield lanes will always be marked, but the stages of marking vary according to the tac sit. The marking is constructed in sequence, from initial marking, to immed marking and finally to full marking as ops dev of lanes. The marking itself is described in TAM 505.

### **505.04 - SM AND LIVE EXPLOSIVE DEVICES - UNITS IN CONTACT IN FWD AREAS**

1. SM. Cross country mov with threat of SM. Mov in as few columns as possible, with Scatterable Munition Clearance Device (SMCD) mounted on leading vehs. Assess balance of threat from other wpn systems.
2. Mines:
  - a. use "EXPLOSIVE LINE CHARGE" and plough to breach lanes;
  - b. cross in column behind plough tks; and
  - c. limit mov to rds/trks with 'bladed ' veh leading.
3. Assy Areas and crossing LD. Threat is most serious in assy areas and when crossing LDs:

- a. spend min time in conc area;
- b. keep engr vehs well fwd;
- c. if SM are known to exist, vehs with SMCD mounted leading;
- d. if possible, mov on rds and trks; and
- e. close with en as quickly as possible.

**505.05 - UNITS OUT OF IMMEDIATE CONTACT OR IN REAR AREAS.**

1. Best protection is concealment. Note:
  - a. vehs inside bldgs to screen thermal signatures; and
  - b. units disperse to min threat.
2. If devices are encountered, take action as indicated below if mov is nec:
  - a. AEV or MBT with blade, a vehs with SMCD to lead each column;
  - b. mov only on rds and trks, where mines will be easily vis;
  - c. if AEV is not avail, remote device is nec to explode anti-disturbance fuses fitted to about 20% of mines. Methods incl:
    - (1) civ snow ploughs;
    - (2) snowplough fitted to B vehs;
    - (3) rd sweeper;
    - (4) hand-tie rope to mine, take cover and pull. Min safety distance 50 m;
    - (5) SA fire.



## **PART 6 - SUSTAINMENT**

### **USOP 601 - MOV**

#### **601.01 - RD MOV**

1. Orders. Usually passed by LOs.
2. Signing. If rte not signed by fmn, recce tp/pl man TCPs as nec.
3. March discipline. Broken down vehs clear the rte.
4. Action in event of atk:
  - a. nearest elms engages immed. Other vehs halt off rte; and
  - b. call for arty and mor fire.
5. Halts:
  - a. switch off lts and engine;
  - b. post sentries; and
  - c. basic cam on all vehs.
6. End of mov. Each packet reports new posn and veh state to unit HQ.
7. These are the different types of movement, of which, packet is the most common:
  - a. packet;
  - b. capacity;
  - c. average speed and density; and
  - d. free runners.

#### **601.02 - MOV CALCULATIONS**

1. Capacity of a rte. Max tfc flow obtainable on any particular rd or rte in one dir, expressed in Veh Per Hr (vph). It is governed by physical considerations such as bottlenecks, br, defiles, condition of the rd surface, etc. Thus, the capacity of any rte is normally governed by the capacity of the worst defile, and the actual figure can only be established by obsn at that pt or from rte recce.
2. Avg Speed
  - a. depends mainly upon the types of veh, the nature and conditions of the rd, and the driving conditions;
  - b. mov is planned as mixed tfc (wh and trk vehs) to prevent faster moving wh columns from overtaking other convoys on rte. This is the std planning data for all mov:
    - (1) Good rds:
      - (a) 20 km/h (12 mph) by day; and
      - (b) 15 kph (9 mph) by ni; and
    - (2) Bad rds/Blackout:
      - (a) 12 kph (7 mph) by day; and
      - (b) 10 kph (6 mph) by ni;

c. Wh columns. This type of column is generally found in independent or admin/sup tfc. When not moving behind or with trk vehs/mixed columns, the speeds used to plan a rd mov are:

- (1) Good rds:
  - (a) 40 kph (24 mph) by day; and
  - (b) 20 kph (12 mph) by ni;
- (2) Bad rds:
  - (a) 30 kph (18 mph) by day; and
  - (b) 15 kph (9 mph) by ni;
- (3) Blackout. Between 15 to 20 kph (9 to 12 mph).

3. Density:

- a. tfc density is defined as the avg no of veh that occupy one km or one mile of rd space, expressed in veh per km (vpk) or per mile (vpm). The tfc density is consequential of the allowable "head to tail" distance between vehs;
- b. packet density is defined as the no of veh per packet (vpp). It will be determined by the factors listed below but mostly by the degree of possible en interference (whether from grd or air) or, where this is absent, upon the characteristics of the rte. It will be dir by the fmn HQ G3 Staff for tac mov and the fmn G4 Staff for admin/sup mov;
- c. the densities and distances to be used when planning rd mov listed as above; and
- d. flow can equal, but never exceed, the capacity of a rte. It is calculated by the fol formula:

(1) Flow (vph) = Average Speed (kph) x density (vpk).

4. Time reqr to complete a mov. The time reqr to complete a mov is the time that elapses between the passing of the start pt by the first veh and the passing of the rel pt by the last veh. In order to arr at this, it is nec to add the fol:

- a. Time Past a Point (TPP) is defined as the time reqr by a column or ser to pass a given pt. The total TPP of a column, not taking gaps and extra time allowances between sers into consideration, is calculated using the fol formula:

$$\text{TPP (in mins)} = \frac{\text{No of veh} \times 60}{\text{Veh density (vpk)}} \times \text{Average Speed (kph)}$$

b. Gaps:

- (1) to take into account the time gaps between sers, one min per 25 vehs will always be added to the calculated TPP of each ser. If the no of vehs is equal to or greater than 600, two min per 25 vehs will be added to the TPP of each ser, and
- (2) in add, extra time between packets, sers, and columns will be allotted arbitrarily by the planning staff. This will depend on the



en threat, the rd conditions, the relative urgency of the mov, and the aval of the rte. They will normally, but not exclusively, be:

- (a) ten min between unit sers on div and bde mov; and
- (b) twenty min between fmns;

c. Running Time. Defined as the time taken by one veh to complete the journey without specified halts. It is simply the total distance of the rte divided by the avg speed.

5. Halts. Mov orders detail the duration of any long and/or short halts on a mov. Halts will not normally be made within 40 kms of the FEBA.

Furthermore, total rte distance will dictate the reqr for short and long halts throughout the mov. Otherwise, routine short halts of 10 min duration should be scheduled on avg every two hrs of running time, and a long halt lasting approx one hr may be planned as reqr to refuel vehs and feed tps.

## **USOP 602 - REPLEN**

### **602.01 - CBT SP**

1. Replen within unit will normally op on the “pull” system in that there will be no auto resup unless a fwd commodity pt is estb.
2. Routine replen will occur at daily DPs, commodity pts or a combination of DPs and commodity pts. These will incl cbt sups, ltd gen stores, spare parts and mail. DPs or commodity pts will also normally be the exchange pt for cas being RTU, stragglers and reinforcements.
3. Urgent op reqr may be subm as an emergency Mat Demand (MATDEM – USOP 706.03) through Admin net at any time and del will be eff by best aval means.

### **602.02 - REPLEN IN HIDE/WA**

1. Sup vehs dump POL and ammo on the grd at each tk and APC.
2. Empty cans are either carried by hand to the centre of the waiting area/hide or picked up by empty vehs in another circuit of the trk plan.
3. Other commodities are normally drawn from the ech in a central loc in the waiting area/hide. If sit permits, these commodities are distr in the same manner as POL and ammo.
4. Another efficient way of replen is using a running replen pt. This procedure works well on narrow forested trks, in villages or at the entrance to a hide/waiting area. Ideally it is done at ni using filtered lt indicators. The exact procedure is as fols:
  - a. each tp/pl/cbt tm is called fwd indiv;
  - b. before being called, each crew determines its reqr incl POL, ammo, rats etc, and prep to fuel the veh (i.e. funnel, etc);
  - c. the vehs in the running replen pt are parked in order:
    - (1) fuel (either jerrycans or pumps);
    - (2) oil and lubricant;
    - (3) ammo; and

(4) rats and other commodities;

d. at the fuel veh, the crew collect the reqr no of jerrycans and moves immed to the next veh to collect oil and lubricants and then proceeds to the ammo veh (thus more than one veh is serviced at once); and

e. beyond the rat vehs, the crew empties the jerrycans and drops them at the jerry can collecting pt before moving on.

5. The important pts for efficient and secure running replen are:

a. reqrs prep;

b. work fast;

c. no idle talk;

d. no noise;

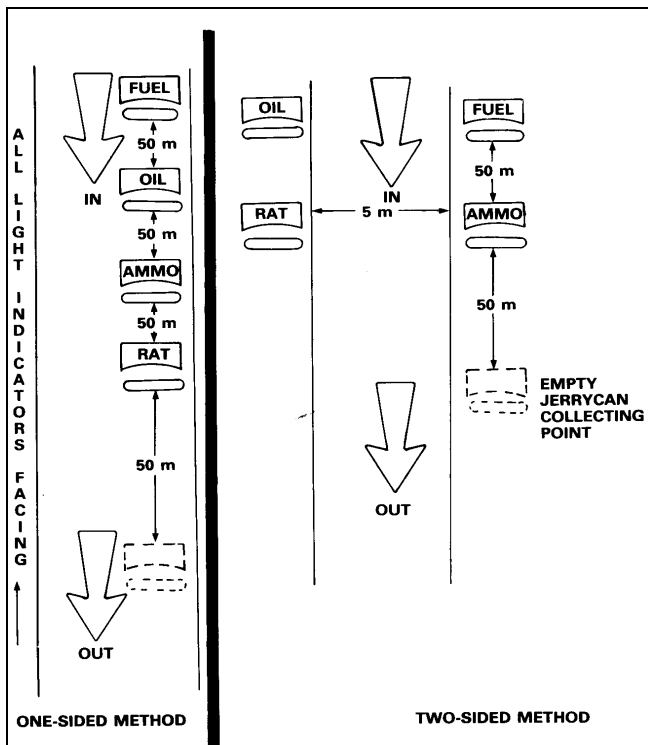
e. no smk; and

f. no lts.

6. The lt indicator system at a running replen pt is as fols (using red filtered lts facing the incoming vehs):

<b>VEHS</b>	<b>ACTION</b>	<b>LT INDICATOR</b>
Fuel	Pick jerry cans or fill up if using pumps	Two horizontal red lts one m apart.
Oil and lubricants	Pick up	One red lt.
Ammo	Pick up and ld	Two vertical red lts taped together.
Rats and other commodities	Pick up and ld	Two horizontal red lts taped together.
Jerry can collecting pt	Fuel the vehs and drop the empty cans on the grd (or in pick up veh)	Two vertical red lts one m apart.

**NOTE** Replen vehs are parked in the same sequence. Examples of running replen pts are shown at Figure 6-1.



**Figure 6-1: Example of Running Replen Pts**

### 602.03 - PROVISION OF WATER

1. Water quality eqpt and sp pers will be provided by engr.
2. Normally two WPs will be estb on the dir of bde HQ.
3. WPs will normally depl after last lt, operate by ni and closing and wdr completely by first lt. Normally units will be reqr to pick up water at the WP. Water resup may sometimes be on a "can for can" basis at DPs.
4. Bde G4 Ops will pass locs, op times and affiliations to all units.
5. WPs will normally open as soon after last lt as possible and units will be given block times to draw.
6. Water sup during winter ops will normally be in ice form. Engr will be resp for freezing water in cardboard containers. Svc bn will be resp for del of qty demanded by units on ni DPs.
7. Fd amb will provide initial clr to Engr for use of a water source fol quality checks as nec.

8. Engr will estb the WP, and do checks for turbidity, colour and chlorine.
9. Fd amb will provide fol-up quality insp as nec.

#### 602.04 - WATER CONSUMPTION TABLE

Purpose	Tps (L/pers) - Potable Water	For cbt Tps, incl pers in LAV/APC and/or in IPE:
a. Drinking and indiv cooking only.	7	a. Increases to 15 litres when temp exceeds 30°.
b. As per 1a. but allowing for limited pers hygiene.	10	b. Increases to 20 litres when temp exceeds 30°.
c. Normal planning figure for Protracted Gen Ops.	25	c. Increases to 45 litres when temp exceeds 30°.
d. As per para c, plus showering.	70	

#### USOP 603 - REP & REC

##### 603.01 - REP

1. Rep of wh Vehs:
  - a. Normally all wh vehs should be repaired in situ. It is also the case for some "A" veh (i.e. LAV, Bison, Cougar etc),and some pri "B" veh (i.e. CPs, amb, IMRCT); and
  - b. When an ECP is estb fwd, units will rec their veh cas to the ECP. GS Maint bn will then backload the vehs to maint coy's loc. Dvr with their basic ld of rats, and a CF 1020 work order must accompany all vehs.
2. Rep of trk Vehs.
  - a. Whenever possible, all trk vehs will be rep in-situ by MRTs; and
  - b. When rep are beyond unit capability, the unit will req MRT assistance through svc bn/log Ops using the format provided at USOP 706.05.
3. Rep of other eqpt.
  - a. The GS Maint Bn has the capability to depl MRPs or MRTs for tk and how armt and tk elec fire con eqpt. This will only be accomplished if the FRG is not depl fwd;
  - b. Small eqpt such as wpns and rads may be del to the GS Maint Bn via DPs, or taken dir to the GS Maint Bn by unit tpt; and
  - c. The GS Maint Bn has a ltd welding capability. Normally, welding will be done centrally in the GS Maint BN. In an emergency a MRT can be depl in sp of minor units with no organic welding capability.

### **603.02 - REC**

1. Svc bn has a rec capability for veh up to and incl the MBT. Pri for rec is as fols:
  - a. rte clearance;
  - b. obs crossing;
  - c. backloading of veh cas;
  - d. assistance to units; and
  - e. battlefield clearance.
2. Rec assistance will be requested from svc bn/log Ops using the format provided at USOP 706.05.
3. Backloading:
  - a. backloading of vehs and hy eqpt beyond the rep capability of svc bn will normally be carried out by third line res; and
  - b. In, coord and promulgation of the backload procedures will be the responsibility of the bde HQ G4 maint in coop with svc bn.

### **603.03 - PRI LIST FOR VEH REP**

1. The fol is the generic pri list for veh rep in a unit:
  - a. C2 vehs;
  - b. tk;
  - c. ambs;
  - d. A-armour (TOW) vehs;
  - e. engr eqpt;
  - f. Armd recce vehs;
  - g. LAV/APCs;
  - h. M109 how;
  - i. 105 mm how;
  - j. MLVW gun tractor;
  - k. other A vehs;
  - l. rec vehs; and
  - m. other B vehs.

## **USOP 604 - PERS & ADMIN**

### **604.01 - EMERGENCY WAR BURIAL**

1. The aim of this USOP is to outline emergency war burial procedures.
2. Whenever practicable, a separate burial shall be given to the remains of each deceased pers. The form of burial is the resp of op units and not that of grave registration units.
3. Emergency burials are carried out to:
  - a. conform with accepted principles of hygiene and maint of morale;
  - b. provide secur from marauding animals and looting; and
  - c. to ensure ease of subsequent rec and ident.

4. Graves will be loc near the scene of death. Sites should be selected to ensure ease of subsequent reloc, rec and ident.
5. As a guide, the min depth should be one meter. The body is to be encl in a Human Remains Pouch, shelter half, poncho, blanket, etc whenever possible.
6. Burials are to be gp by nationalities. Different areas for separate graves, trench, or gp burials are to be alloc to each nationality, incl en dead.
7. Whenever practicable, a burial svc of the appropriate religion is to be held.

#### **604.02 - DEFINITION**

1. Emergency Burial. When conditions do not permit evac for interment in a cemetery.
2. Gp burial. Burial of 2 or more un-ident remains in common grave.
3. Trench burial. For hy cas, prepare trench and lay indiv remains in it side by side.
4. Burial procedures.
  - a. Select site. Site emergency graves to provide max chance of rec and protection from water. Always note:
    - (1) eight fig grid ref;
    - (2) map used, scale;
    - (3) nearest town/village;
    - (4) dist, grid bearing from prominent local objects; and
    - (5) avoid roadside burial if possible;
  - b. Dig graves:
    - (1) indiv graves whenever practicable;
    - (2) separate graves for different nationalities; and
    - (3) grave at least 1 m deep,
  - c. Prep body:
    - (1) remove pers effects. (Except for US pers);
    - (2) remove 1 x ID Disc. (Except for US pers);
    - (3) place effects in suitable receptacle (e.g. jam jar/compo tin); and
    - (4) clothed bodies must be wrapped in coverings that permit the normal process of decomposition and release of body fluids to occur (e.g. porous body-pouch/bag, blanket, hessian etc). Impervious wrappings should only be used as a last resort,
  - d. Ident dead:
    - (1) Marking indiv graves. Use cross/rifle to mark grave. At base half bury a container open end down and enclose the fol info written clearly on paper in plastic envelope in pencil or indelible ink:
      - (a) name (surname, first name or initials);

- (b) rk;
- (c) sex;
- (d) SN;
- (e) national force, unit, date, birth place (if aval);
- (f) date, cause of death (if known);
- (g) date buried;
- (h) by whom buried; and
- (i) religion (if known);
- (2) marking gp/trench burials:
  - (a) place marker and container at each end of grave/trench;
  - (b) enter distance of remains from marker against relevant entry in the enclosed list; and
  - (c) in gp burials the no of bodies must be recorded with name of known but un ident dead listed;
- e. Unidentified dead. Bury and rep as others but enter “unknown” in place of name. Record full physical description to assist later ident. Always note:
  - (1) sex;
  - (2) approx age;
  - (3) height;
  - (4) build (stocky/med/fat/thin);
  - (5) hair colour/style (bald/crew-cut);
  - (6) facial hair (beard, moustache/sideburns);
  - (7) eyes (colour);
  - (8) ethnic appearance;
  - (9) tattoos/marks/scars;
  - (10) teeth (false/missing);
  - (11) uniform;
  - (12) jewellery (watch, rings); and
  - (13) veh details (if appropriate);
- f. Svc. Whenever practicable, hold burial svc of appropriate religion. Brief, religious - approved svcs for Christians, Hindus, Moslems, Buddhists and Jews are found in the Unit Guide to the Administration of Pers in War;
- g. Doc. Record eight fig grid ref. Complete two copies of Emergency Burial Report (EMBUREP FSOP 702).Hand both to unit adjt;
- h. Disposal of Effects:

- (1) Inventory of effects(in triplicate). Distr to:
  - No 1 - Effects receptacle;
  - No 2 - Fd records (overseas cases); and
  - No 3 - Retain in unit; and
- (2) Label receptacle with proper label and dispatch to Fd Records (overseas cases);

5. Contam remains:

- a. if know record the agent that caused death: otherwise state that death was caused by the effects of exposure to unknown NBC agents;
- b. burial party to wear respiratory protection, gloves, boots and protective clothing (suit NBC translucent if possible),
- c. place remains in cas/body bag as soon as possible;
- d. decon pers effects where possible;
- e. mark contam graves with NBC wng signs in accordance with STANAG 2002;
- f. record a plan of the loc of contam graves; and
- g. seek expert med advice on hygiene precautions.

#### **604.03 - PERS RECORDS**

1. The pers records function ensures that adequate records are maint on each soldier depl in an area of ops. The key to pers records in the fd is simplicity.
2. Every unit holds pers records on indivs in that unit. They contain only that info to which the unit reqr immed access for the mgt of the unit and for the pers admin needs. They are an abbreviated version of each indiv complete pers record.
3. Docs. During ops the fol docs are to be held by the Indiv:
  - a. National Defence ID Card;
  - b. ID disc x 2;
  - c. dvr/operator permit (DND 404);
  - d. med wng tag (if applicable);
  - e. Geneva Convention ID Card (CF 281). For those mbrs auth;
  - f. international certificate of vaccination;
  - g. ROE card; and
  - h. passport as reqr.

#### **604.04 - UNIT ACTION ON DEPL TO OR ON VACATING BSA**

1. All depl into and out of the BSA will be con by log ops. Units/elms depl in the BSA are not to vacate their posns without auth from log ops.
2. Units/elms wishing to occupy areas within the BSA must get approval first from fmn and then req allocs of real estate from log ops.



## USOP 605 - HEALTH SVCS

### 605.01 - GEN

1. Fd Amb is resp to provide second line health svcs (incl med & dent) to units. The unit has limited holding capability which allows minor sick and wounded to be held until they can be rtn to duty. The holding pol in an op is predicated by tac sit and cas rate. Cas that are expected to rtn to duty within the time specified by the holding pol are held at the BMS. All others are evac to third line facilities as rapidly as possible.

### 605.02 - MED & DENT SVCS

1. Svcs provided to the units by fd amb incl:
  - a. staff advice to the CO regarding the depl of their med assets;
  - b. first line sp, as reqr, for units without organic first line med elms;
  - c. evac of patients from UMS;
  - d. evac of patients to third line med facilities, unless provided by higher sources;
  - e. providing facilities for sorting and staging cas, and for providing limited in-patient care;
  - f. holding the sick and injured within the BMS during tmt and during pds when the chain of evac is interrupted;
  - g. augmenting, reinforcing or replacing UMS;
  - h. replen med mat and expendable sup; and
  - i. assisting in the maint of health and the prevention of disease.
2. The fd amb will provide all dent svcs in sp of a unit.

### 605.03 - CASEVAC

1. Fd dressing to be carried in:
  - a. top right hand pocket of cbt jacket; or
  - b. front pocket of IPU when worn.
2. Casevac System:

MOV	LOC	TMT
Sub unit	Pt of injury	MA
MA	Sqn/Coy/Bty - MRS	UMS
UMS	Fd Amb - S	MO
MO	Med Svc/BMS	Hosp

3. Casevac is normally the responsibility of med unit to which cas are being evac. Casevac from sub-unit moves from MA to UMS, to Fd Amb, to MRS than to the BMS/hosp:
  - a. Units and sub-units without organic med facilities, evac cas to nearest med facility. This may mean casevac fwd.

b. Wpns and eqpt. Remove non-pers eqpt (compass, binos etc) before casevac. Cas retains pers eqpt (wpn, webbing, NBC eqpt etc) as far as feasible (MRS).

## **PART 7 - REPORTS AND RTNS (REP & RTN)**

1. Gen. Standardized ops msgs are designed to assist staff and units in the fd, working under stress and adverse conditions by assuring speed of preparation commensurate with the accuracy and the completeness of the info being passed. Part 7 of USOP contains stds formats for Ops and Admin Reps and Rtns, they are regrouped under selected headings and are NATO std.
2. Time Zone. Greenwich Mean Time (GMT) (ZULU time) will be used, unless otherwise directed.
3. abvn (unless APP-6) will not be used in correspondence with non-CA fmns/units.
4. Schedule for submission is attached at USOP 701.01 for Ops and 701.02 for Admin Reps and Rtns respectively.
5. It is the responsibility of the subordinate HQ to ensure their reps reach their parent HQ within the reqr schedule/time. Reps will be sent by the quickest possible means. Comd networks (VHF or HF) should not be used for routine reps.



**USOP 701 - REPS & RTNS FORMATS**

**701.01 - SUMMARY OF OP REPS AND RTNS**

<b>Report/Rtn</b>	<b>Format</b>	<b>Subm by Unit to Bde HQ</b>	<b>Eff as of</b>	<b>Subm by Bde HQ to Higher HQ</b>	<b>Eff as of</b>	<b>Trans Method in Order of Pri</b>	<b>Remarks</b>
ARRESREP	702.01						
CASEVACREQ	702.02						
PERSREP	702.03						
COMCAPREP	703.01	Time of capture	Time	Time of capture	Time	As aval	
INT REP	703.02						
INT REQ	703.03	As reqr	Time indicated	As reqr	Time indicated	As aval	
CONTACT REPORT	703.04	On contact	Time sent or time specified	On contact	Time sent or time specified	Rad	Fmns/units to send initial contact immed. Subsequent contacts to be sent via SITREPs.
SITREP	704.01						
INCREP	704.02						
ROEAUTH	704.03						
ROERREQ	704.04						
STRIKEWARN (NUC)	704.05						
NBC 1	704.06	As reqr	Time indicated	As reqr	Time indicated	Rad	
NBC 2	704.07	As reqr	Time indicated	As reqr	Time indicated	Rad	
NBC 3	704.08	As reqr	Time indicated	As reqr	Time indicated	Rad	
NBC 4	704.09	As reqr	Time indicated	As reqr	Time indicated	Rad	
NBC 5	704.10	As reqr	Time indicated	As reqr	Time indicated	Rad, LO, Overlay	
NBC 6	704.11	As reqr	Time indicated	As reqr	Time indicated	Rad, LO, Overlay	
BOMBREP	704.12	Upon incident	Time sent	Upon incident	Time sent	Rad, Tel	
FM.CFF	704.13						
WCO	704.14						
BARREP	704.15	As reqr	Time indicated	As reqr	Time indicated	As aval	

Report/Rtn	Format	Subm by Unit to Bde HQ	Eff as of	Subm by Bde HQ to Higher HQ	Eff as of	Trans Method in Order of Pri	Remarks
OBSREP	704.16	Completion of minefield	Time indicated	Completion of minefield	Time indicated	DR, LO, tel	To be completed for all minefields.
CONVENTIONAL MINEFIELD INTENTION TO LAY REPORT	704.17	As reqr	Time sent	As reqr	Time sent		Subm for planned minefields and incorporated into barrier plan.
SCATMINREP	704.18	As reqr	As reported	As reqr	As reported	Fastest aval	
EODINREP	704.19						
PTLREP	704.20	ASAP after debrief of ptl	Time indicated	ASAP after debrief of ptl	Time indicated	Rad, LO, DR, tel	Briefing/ debrief reqr will be specified in task table
EWJAMREP	704.21						
MIJIWARNREP	704.22	As reqr	Time indicated	As reqr	Time indicated	As aval	
AIRATTACKWARN	705.01	As reqr	Time indicated	As reqr	Time indicated	Rad	
AIRREQ	705.02						
HELLSREP	705.03						
HELQUEST	705.04	As reqr	Time indicated	As reqr	Time indicated	Tel, rad, DR	

#### 701.02 - SUMMARY OF ADMIN REPS AND RTNS

Ser	Report	Format	Subm By	As Of	Due	Action	Remarks
1	LOGSITUNIT	706.02	Unit HQ	1900Z	2100Z	G4 Ops	
2	MAPREQ	706.03					
3	MATDEM	706.04					
4	MOVSITREP	706.05					
5	REPRECREQ	706.06	Unit HQ	1800Z	2100Z	G1	
6	GUN & AFV STATE	706.07					

## USOP 702 - PERS ADMIN

### 702.01 - ARREST REPORT (ARRESREP)

1. Purpose: Used to report the details of an arrest or detention by military forces:

A		Unique ARRESTREP Ser No.	
B		Map details: (1)	
	1	Map/Chart Series	
	2	Map/Chart Suffix No	
	3	Map/Chart Sheet No (2)	
	4	Map/Chart Edition No (2)	
	5	Geodetic Datum (2)	
C		Details of arrest:	
	1	Name	
	2	Age	
	3	Sex	
	4	ID card no.	
	5	Address	
	6	Reason for arrest	
	7	Date-Time Group (DTG) of arrest	
	8	Place of arrest	
D		Arresting person:	
	1	Service No.	
	2	Rank	
	3	Name	
	4	Sub-unit	
E		Witness details: (2)	
	1	Service/ID No.	
	2	Rank/Title	
	3	Name	
	4	Sub-unit/Address (as appropriate)	
F		General comments: (1)	
	1	Further action taken	
	2	Any items of interest	

### NOTE

1. Optional.
2. Repeat as nec (EA, EB, EC etc).

### 702.02 - CASUALTY EVACUATION REQUEST (CASEVACREQ)

1. Purpose. Used to req med casevac sp for single and multiple evac and by whatever means:

A		Requesting unit identification (ID)	
B		Unit location (loc)	

C		Pick up point (PUP) loc	
D		Destination	
E		Casualty (cas) details (1)	
	1	Numbers (nos)	
	2	Condition	
	3	Special needs	
	4	Time	
	5	Priority	
F		Tactical details (i.e. tactical situation, direction of approach, inability to hold cas, etc)	
G		Comms details	
	1	Callsign (C/S) and frequency (freq) at PUP	
	2	Ground signals/recognition at PUP	
	3	C/S and freq at destination	
	4	Ground signals/recognition at destination	

#### NOTE

1. Repeat as nec (EA, EB, EC etc)

#### 702.03 - PERSONNEL REPORT (PERSREP)

1. Purpose. Used to provide comds and staffs with a summary of pers information by quantities and categories:

A		Fmn/unit ident (of the fmn(s)/unit(s) reporting or being reported) (1) (2)	
B		Personnel data (1) (3)	
	1	Total War Establishment (WE)	
	2	Total attachments	
	3	Total strength	
	4	Total incapacitated	
	5	Total dead	
	6	Total PW held	
C		Time (1) (4)	
D		Personnel assessment (1) (5)	
E		Comd's overall personnel assessment for the fmn/unit preparing the message (i.e. the master PERSREP)	

#### NOTES

1. To be repeated as necessary for each formation/unit being reported.



2. All formations/units under command or operational control are to be included. Data of formations/units under operational or tactical control are to be reported by the parent unit.
3. Gives personnel data by category - Officers, Non Commissioned Officers (NCOs), Other Ranks (ORs) - and numbers for each data element.
4. Gives the time qualifier and Date-Time Group (DTG) of the information for each formation/unit being reported.
5. Provides an assessment of battleworthiness, shortage of critical personnel, etc, of each formation/unit being reported.

#### **702.04 - WAR DIARY**

1. CF 301/302 - War Diary forms are to be used.

#### **USOP 703 - INT**

#### **703.01 - COMMON CAPTURE REPORT (COMCAPREP)**

1. Purpose. To report the capture of en PW, CED and/or CEE:

A		Capturing unit designator <b>(1)</b>	
B		Date-Time Group (DTG) of capture	
C		Loc of capture	
D	1	Nos of PWs by rank category <b>(2)</b>	
	2	Officers	
	3	Non-Commissioned Officers (NCOs)	
	4	Other Ranks (ORs) Civilians <b>(3)</b>	
E	1	Wounded PWs by casualty type/category	
	2	Type(s)	
	3	Stretcher	
	4	Sitting Walking	
F	1	Document(s)	
	2	Quantity	
	3	Nationality of origin Category - book, codes, chart, letter, map, etc	
G	1	Equipment(s)	
	2	Type(s)	
	3	Quantity Markings	

H	1	Points of interest, e.g.: a. Circumstances of capture (4) b. Evacuation intentions - where, when and by what means	
---	---	--	--

#### NOTES

1. If different from the msg originator.
2. PWs are assumed to be males, this set should be repeated - e.g. DD - for female PWs.
3. Incl supporting civ.
4. Incl the dir in which the PWs were heading if on the move.

#### 703.02 - INTELLIGENCE REPORT (INTREP)

1. Purpose. Used to report essential elms of int info obtained through tac collection efforts: (1)

A		What - the event/ incident/ activity being reported	
B		When	
C		Where	
D		How	
E	1 2 3	Assessment/comment - to cover: Reliability Deductions Conclusions	

**NOTE** The INTREP provides timely info regarding incidents/events that could have an immed and significant effect on current or pending ops in peace, time of tension and hostilities.

#### 703.03 - INTELLIGENCE REQUEST (INTREQ)

1. Purpose. Used by military auth and forces of NATO nations and comds to req int from each other:

A	1 2 3	Request preamble (INTREQ) (1) Originator Request Serial No. Request Date-Time Group (DTG)	
B	1 2 3 4	Request reference (REQREF) (1) Originator's control reference no. (if allocated, if not, enter 'NIL') Degree of urgency Request priority Information/intelligence use - a brief summary of intended use	

C	1	Request details (REQDET) (1)	
	2	Subject type	
	3	Basic Encyclopedia (BE)/Site No.	
	4	Name Information/intelligence required	
D		Location - (GENLOC <u>or</u> REQLOC <u>or</u> REQPOS) (1) (2)	
E		GENLOC (1)	
	1	Country/area	
	2	Place name	
	3	Location - Grid, latitude/longitude or GEOREF	
4	DTG requested item was last known to be at the location		
F		REQLOC (1)	
	1	Location - Grid, latitude/longitude or GEOREF	
2	Type of location (3)		
G		REQPOS (1)	
	1	Location - Grid, latitude/longitude or GEOREF	
	2	Type of location (3)	
	3	Elevation in metres	
	4	Further locations required	
	5	DTG requested item was last known to be at the position	
	6	Course - cardinal heading, degrees or mils	
7	Speed - knots or kilometres per hour		
H		Geographic material (map/chart information) (GEOMAT) (1)	
	1	Series No. (4)	
	2	Sheet (4)	
3	Edition (4)		
I		REQREF (5)	
J		Request time (REQTIME) (1)	
	1	Delivery DTG	
	2	Latest time the information is of value Action not before DTG	
	3	Specific request time coverage	
	4	requirements	
5	Report/material frequency		

K		Report/materiel required (REQREPR) (1)	
	1	Description of report/materiel required	
	2	Quantity required	
	3	Security level restrictions	
L		Delivery instructions (REQREPD) (1)	
	1	Delivery address	
	2	Delivery means	
M		Point of Contact (POC) (1)	
	1	Rank or appointment	
	2	Contact name	
	3	Unit ID	
	4	Telephone no.	

## NOTES

1. The word in brackets is mandatory to introduce the para.
2. Either GENLOC, REQLOC or REQPOS must be chosen.
3. Designator for type of loc from:

<u>Code</u>	<u>Meaning</u>
A	Pinpoint
B	Multiple
C	Line
D	Circular (state RADIUS + give radius distance)
E	Corridor (state WIDTH + give width distance)
F	Elliptical (state ELLIPSE + give major-minor axis on orientation)
G	Non-circular arc (state TRACE POINT)

4. Repeat as nec.
5. For add req items repeat sects B to E.

### 703.04 - CONTACT REPORT (CONTACTREP)

1. Gen. First contact with en land or air forces by units will be passed from units to Bde HQ as they occur using the fol format:

“Contact”

- a. Loc of en (in clr),
  - b. en str in pers and/or vehs/ac by type and no ident if possible, and their activity and dir of mov. Do not try to interpret (except for recce forces) what is seen (i.e. MRB moving South) but rather report on what is seen (i.e. Six T-72 Tanks, four BMPs and bridging eqpt moving South),
  - c. own action, and
  - d. time of contact (if not immed).
2. Example

"O this is 6, Contact, Grid 247653, six T-72 Tanks using routes into the built up area and contact in that location oriented South. Continuing to observe. Time of contact 1430 hours. Over".

or

"O this is 2, en ac sighting. 3 HIP loc GR 3412 moving S-W. Continuing to observe. Time 1530. Over".

## USOP 704 - LAND OPS

### SECT 1 - GEN

#### 704.01 - SITUATION REPORT (SITREP)

PROWORD "SITREP"

1. EN - UNITS IN CONTACT, EN SHELLING, ESTIMATION OF STR, MORALE, POSSIBLE EN ACTION.
2. FRIENDLY - LOC OF TPS, BY GRID ENCODED, OR BY RL, YOUR ACTIVITY, YOUR INTENTIONS.
3. ADMIN - ANY IMMEDIATE ADM REQ AT THE TIME (FUEL, AMMO, ETC.).
4. GEN - INFO NOT COVERED ELSEWHERE, IE. " I SUGGEST C/S 24 CLEAR THE WOOD AT GRID "-----"

#### 704.02 - INCIDENT REPORT (INCREP)

1. Purpose: To report any significant incident caused by terrorism, civil unrest, natural disaster or media activity: (1)

A		Incident type (2)	
B		Map details: Map/Chart Series Map/Chart Suffix No Map/Chart Sheet No (3) Map/Chart Edition No (3) Geodetic Datum (3)	
C	1 2 3	Source of information: Evaluation Source type (4) Other details (as appropriate)	
D		Date-Time Group (DTG) validity of source material	
E	1 2	Location of incident: Grid Ref/GEOREF Description	

F		Hostiles/Terrorists details, to incl as appropriate/where known:	
	1	Personnel involved	
	2	Organisation involved	
	3	Weapons/explosives/vehicles used	
	4	Direction of movement	
	5	Means of travel	
G		Outline of events - a brief free text description of the incident, damage caused and the effect on operations	
H		Own casualties:	
	1	Dead	
	2	Wounded/injured	
I		Hostile/Terrorist casualties:	
	1	Dead	
	2	Wounded/injured	
J		Civilian casualties:	
	1	Dead	
	2	Wounded/injured	
K		Arrest details: (5)	
	1	Name	
	2	Age	
	3	Sex	
	4	ID card number (military/civilian)	
	5	Address	
	6	Reason for arrest	
	7	DTG of arrest	
	8	Place of arrest	
	9	Remarks	

## NOTES

1. The INCREP is an 'As Req' report suited to Peace Support Operations (PSO); as such it is unlikely to be called for in High Intensity Conflict (HIC) Ops.
2. Defines the type of incident using the appropriate data code selected from:

<b>Terrorism</b>		<b>Civil Unrest</b>	
<u>Type/Data Code</u>		<u>Type/Data Code</u>	
Bombing:		Riot	CR
- Deliberate	TBD		
- Proxy	TBPR		
- Postal	TBPO		
			CCD

Shooting:		Civil Disobedience	
- Ambush	TSAM		
- Assassin	TSAS		
- Random	TSRA		
- Sniper	TSSN		
High-jack	THIJ		
Hostage taking	THOS	Strike	CST
Murder	TMUR	Picketing	CPIC
Intimidation	TINT	Establishing no-go areas	CNOG
<b>Natural Disaster</b>		<b>Media Attention</b>	
<u>Type/Data Code</u>		<u>Type/Data Code</u>	
Drought	NDR	Local	MAL
Earthquake	NEQ	National	MAN
Famine	NFA	International	MAI
Pestilence	NPE		
Disease	NDIS		
Flood	NFLD		
Typhoon	NTYP		

3. Repeat as nec.
4. Source type selected from:

<b>Information Source</b>
Government Agency
Humanitarian Relief Organisation
Informer
Police
Media
Military Intelligence
United Nations Agency
Other - state source

5. Repeat - KA, KB, KC, etc, - for each person arrested.

## SECT 2 – ROE

### 704.03 - RULES OF ENGAGEMENT AUTHORISATION (ROEAUTH)

1. To be submitted at Fmns/TF level, format is aval at FSOP 704.06.

### 704.04 - RULES OF ENGAGEMENT REQUEST (ROEREQ)

1. To be submitted at Fmns/TF level, format is aval at FSOP 704.07.

### SECT 3 – NBC DEF

#### 704.05 - FRIENDLY NUCLEAR STRIKE WARNING (STRIKEWARN (NUC))

1. Purpose. Used to provide friendly forces with the nec information needed to take safety precautions against a friendly nuc burst:

NBC Event		STRIKEWARN(NUC)	
AW		STRIKEWARN nickname or target no. for multiple or single strike(s), as appropriate	
DW		Multiple strike: Date-Time Group (DTG) strike (pulse) will start followed by DTG strike (pulse) will end (ZULU time) Single strike: DTG of strike followed by DTG after which strike will be cancelled	
F1		Multiple: Grid Ref(GR) of Minimum Safe Distance (MSD) 1 box Single: MSD1 in 100s of m followed by GR of Ground Zero (GZ) or Desired GZ (DGZ)	
F2		Multiple: GR of MSD2 box Single: MSD2 in 100s of m (followed by GR of GZ or DGZ if not incl in F1) (1)	
F3		Multiple: GR of MSD3 box Single: MSD3 in 100s of m (followed by GR of GZ or DGZ if not incl in F1/F2) (2)	
HW		No. of surface or sub-surface bursts	
IW		No. of bursts in multiple strike	
ACK		Acknowledge (3)	

#### NOTES

1. If F1 is used F2 must be completed.
2. If F2 is used F3 must be completed.
3. An acknowledgement is essential on receipt of a STRIKEWARN (NUC).

#### 704.06 - NBC 1 – BIOLOGICAL/CHEMICAL REPORT (NBC1 (BIO/CHEM)) NUCLEAR REPORT (NBC1 (NUC))

##### BIOLOGICAL/CHEMICAL REPORT (NBC1 (BIO/CHEM))

1. Purpose. Used to provide the observer's initial report giving basic data on a single bio or chem atk:



NBC Event		BIOLOGICAL OR CHEMICAL	
A		Strike Serial No.	
B		Grid Ref (GR) of observer (1)	
C		Direction of atk from the observer measured clockwise from grid North, true North or magnetic North (state which) in degrees or mils (state which) (1)	
D		Date-Time Group (DTG) atk started	
E		DTG atk ended	
F		Loc of atk or area atked (co-ordinates or place, real or estimated - state which) (2)	
G		Means of delivery or kind of atk (guns, mortars, multi rocket launcher systems (MRLS), missiles, bombs, spray- state which)	
H		Type of agent - P (Persistent) or NP (Non-Persistent) - type of burst (air (with release height), surface or unknown - state which)	
S		DTG contamination detected	
Y		Representative downwind direction in degrees or mils (state which) and representative wind speed in km/h or knots (state which)	
ZB		If used, provides amplifying remarks	

## NOTES

1. Items BRAVO and CHARLIE are mandatory if FOXTROT is not used.
2. Item FOXTROT is mandatory if items BRAVO and CHARLIE are not used.

## NUCLEAR REPORT (NBC1 (NUC))

1. Purpose. Used to provide the observer's initial report giving basic data on a single nuc atk:

NBC Event		NUCLEAR	
A		Strike Serial No.	
B		Grid Ref (GR) of observer (1)	

C		Direction of atk from the observer measured clockwise from grid North, true North or magnetic North (state which) in degrees or mils (state which) (1)	
D		Date-Time Group (DTG) of atk or detonation	
F		Loc of atk or area atked (co-ordinates or place, real or estimated - state which) (2)	
G		Means of delivery (suspected or observed - state which)	
H		Type of burst (air, surface or unknown - state which) incl height	
J		Flash-to-bang time in seconds	
L		Nuclear burst angular cloud width measured at H+5 minutes in degrees or mils (state which)	
M		Stabilised cloud-top angle and/or cloud-bottom angle (state which) or cloud-top height and/or cloud-bottom height (state which) measured at H+10 min - in degrees/mils, metres/feet (state which)	
S		DTG of readings	
ZB		If used, provides amplifying remarks	

## NOTES

1. Items BRAVO and CHARLIE are mandatory if FOXTROT is not used.
2. Item FOXTROT is mandatory if items BRAVO and CHARLIE are not used.

### **704.07 - NBC 2 – BIOLOGICAL/CHEMICAL REPORT (NBC2 (BIO/CHEM)) NUCLEAR REPORT (NBC2 (NUC))**

#### **BIOLOGICAL/CHEMICAL REPORT (NBC2 (BIO/CHEM))**

1. Purpose. Used to disseminate eval data of a single bio or chem atk:

NBC Event		BIOLOGICAL OR CHEMICAL	
A		Strike Serial No.	
D		Date-Time Group (DTG) atk started	
E		DTG atk ended	
F		Loc of atk or area atked (co-ordinates or place, real or estimated – state which)	

G		Means of delivery or kind of atk (guns, mortars, multi rocket launcher systems (MRLS), missiles, bomb(let)s, spray - state which)	
H		Type of agent - P (Persistent) or NP (Non-Persistent) - type of burst (air (with release height), surface or unknown - state which)	
Y	1 2	Wind details: Representative downwind direction in degrees/mils (state which) Representative downwind speed in km/h or knots (state which)	
ZA	1 2 3 4 5	Actual weather conditions: Air stability conditions Surface air temp/unit of measure Relative humidity Significant weather phenomena Cloud cover	
ZB		If used, provides amplifying remarks	

### NUCLEAR REPORT (NBC2 (NUC))

1. Purpose. Used to disseminate eval data of a single nuc atk:

NBC Event		NUCLEAR	
A		Strike Serial No.	
D		Date-Time Group (DTG) of atk or detonation	
F		Loc of atk or area atked (co-ordinates or place, real or estimated - state which)	
G		Means of delivery (suspected or observed - state which)	
H		Type of burst (air, surface or unknown - state which) incl height	
N		Estimated yield (in KT)	
ZB		If used, provides amplifying remarks	

**704.08 - NBC 3 – BIOLOGICAL/CHEMICAL REPORT (NBC3 (BIO/CHEM)) NUCLEAR REPORT (NBC3 (NUC))**

**BIOLOGICAL/CHEMICAL REPORT (NBC3 BIO/CHEM))**

1. Purpose. Used to pass immed wng of predicted contam and hazard areas fol bio or chem atk:

NBC Event		BIOLOGICAL OR CHEMICAL	
A		Strike Serial No.	
D		Date-Time Group (DTG) atk started	
E		DTG atk ended	
F		Loc of atk or area atked (co-ordinates or place, real or estimated - state which)	
H		Type of agent - P (Persistent) or NP (Non-Persistent) - type of burst (air (with release height), surface or unknown - state which)	
PA		Predicted hazard area - co-ordinates to define the geographic position of the hazard area, hazard area radius and unit of measurement	
PB	1 2	Duration of hazard (in days) for: Atk area Hazard area	
Y	1 2	Wind details: Representative downwind direction in degrees/mils (state which) Representative downwind speed in km/h or knots (state which)	
ZA	1 2 3 4 5	Actual weather conditions: Air stability conditions Surface air temp/unit of measure Relative humidity Significant weather phenomena Cloud cover	
ZB		If used, provides amplifying remarks	

**NUCLEAR REPORT (NBC3 (NUC))**

1. Purpose. Used to pass immed wng of predicted contam and hazard areas fol a nuc atk:

NBC Event		NUCLEAR	
A		Strike Serial No.	

D		Date-Time Group (DTG) of atk or detonation	
F		Loc of atk or area atked (co-ordinates or place, real or estimated - state which)	
H		Type of burst (air, surface or unknown - state which) incl height	
N		Estimated yield (in KT)	
PA		Predicted hazard area - co-ordinates to define the geographic position of the hazard area, hazard area radius and unit of measurement	
Y		Left and right radial lines and unit of measurement in degrees/mils (state which)	
Z	1	Fallout prediction parameters: Effective wind speed and unit of measurement	
	2	Downwind distance of Zone 1 and unit of measurement	
	3	Cloud radius and unit of measurement	
ZB		If used, provides amplifying remarks	

**704.09 - NBC 4 – BIOLOGICAL/CHEMICAL REPORT (NBC4 (BIO/CHEM)) NUCLEAR REPORT (NBC4 (NUC))**

**BIOLOGICAL/CHEMICAL REPORT (NBC4 (BIO/CHEM))**

1. Purpose. Used to report mon and svy results for a bio or chem atk:

NBC Event		BIOLOGICAL OR CHEMICAL	
A		Strike Serial No.	
H		Type of agent - P (Persistent) or NP (Non-Persistent) - type of burst (air (with release height), surface or unknown - state which)	
K		Crater indicator and width (in m) or terrain and vegetation description	
Q	1	Loc of readings	
	2	Loc where samples obtained	
	3	Details of type of sample	
S	1	Date-Time Group (DTG) of readings in ZULU-time or	
	2	DTG contamination initially detected in ZULU-time	

ZB		If used, provides amplifying remarks	
----	--	--------------------------------------	--

### NUCLEAR REPORT (NBC4 (NUC))

1. Purpose. Used to report monitoring and svy results fol a nuc atk:

NBC Event		NUCLEAR	
A		Strike Serial No.	
K		Crater indicator and width (in Km or m) or terrain and vegetation description	
Q	1 2 3	Loc of readings Loc where samples obtained Details of type of sample	
R		Radiation dose rate in cGy/H and other details about the sample, e.g. trend and delay	
S		Date-Time Group (DTG) of readings in ZULU-time	
ZB		If used, provides amplifying remarks	

### 704.10 - NBC 5 – BIOLOGICAL/CHEMICAL REPORT (NBC5 (BIO/CHEM)) NUCLEAR REPORT (NBC5 (NUC))

#### BIOLOGICAL/CHEMICAL REPORT (NBC5 (BIO/CHEM))

NBC Event		BIOLOGICAL OR CHEMICAL	
A		Strike Serial No.	
D		Date-Time Group (DTG) of detonation or atk starting	
H		Type of agent - P (Persistent) or NP (Non-Persistent) - type of burst (air (with release height), surface or unknown - state which)	
S		DTG of readings	
T		DTG in ZULU-time of latest survey of contamination in the area	
X		Area of actual contamination (Yellow)	
ZB		If used, provides amplifying remarks	

### NUCLEAR REPORT (NBC5 (NUC))

1. Purpose. Used to pass actual information on areas of nuc contam:

NBC Event		NUCLEAR	
A		Strike Serial No.	

D		Date-Time Group (DTG) of atk or detonation	
O		Reference DTG in ZULU-time for estimating contours when not H+1 (1)	
T		DTG of latest survey/H+1 in ZULU-time (2)	
U		1000 cGy/H Line (Red)	
V		300 cGy/H Line (Green)	
W		100 cGy/H Line (Blue)	
X		30 cGy/H Line (Black)	
ZB		If used, provides amplifying remarks	

#### NOTES

1. Item OSCAR is mandatory if TANGO is not used.
2. Item TANGO is mandatory if OSCAR is not used.

#### 704.11 - NBC 6 – BIOLOGICAL/CHEMICAL REPORT (NBC6 (BIO/CHEM))

##### BIOLOGICAL/CHEMICAL REPORT (NBC6 (BIO/CHEM))

1. Purpose. Used to pass detailed information on a bio or chem atk:

NBC Event		BIOLOGICAL OR CHEMICAL	
A		Strike Serial No.	
D		Date-Time Group (DTG) of atk or detonation	
H		Type of agent - P (Persistent) or NP (Non-Persistent) - type of burst (air (with release height), surface or unknown - state which)	
Q	1 2 3	Loc of readings Loc where samples obtained Details of type of sample	
S	1 2	DTG of readings in ZULU-time or DTG contamination initially detected in ZULU-time	
ZB		If used, provides amplifying remarks	

#### SECT 4 – FIRE SP

#### 704.12 - BOMBREP/SHELREP/ROCKREP/MORTREP (BOMBREP)

1. Purpose. Used to report hostile bomb, shell, rkt and mor atk:

A		Map details: <b>(1)</b> Map/Chart Series Map/Chart Suffix No Map/Chart Sheet No <b>(2)</b> Map/Chart Edition No <b>(2)</b> Geodetic Datum <b>(2)</b>	
B		Bombardment type <b>(3)</b>	
C	1 2 3	Observer's loc: UTM Easting (in metres) UTM Northing (in metres) Altitude (in metres)	
D		Observer's Grid Zone	
E	1 2 3	Indicators of Hostile Battery (HB) loc: Observer/HB bearing (in mils) <b>(4)</b> Observer/HB range (in metres) Flash/Bang Time (in seconds)	
F	1 2 3	HB loc: UTM Easting (in metres) UTM Northing (in metres) Altitude (in metres)	
G		HB Grid Zone	
H		Bombardment duration: FROM Date-Time Group (DTG) TO DTG	
I	1 2 3	Bombarded area loc: UTM Easting (in metres) UTM Northing (in metres) Altitude (in metres)	
J		Bombarded area Grid Zone	
K	1 2 3	Bombarded area size: Length or radius (in metres) Width (in metres) Attitude - azimuth of the longest axis (in mils)	
L		Own troops target type <b>(5)</b>	
M		Target subtype <b>(5)</b>	
N		Degree of protection <b>(6)</b>	
O		Target strength	
P		Enemy equipment(s)	
Q		Nature of fire <b>(7)</b>	



R	1 2 3 4 5 6	Details of fire: Type of projectile Calibre of projectile Approximate size of projectile Aircraft/helicopter type Number of projectiles Bombardment intensity	
S		Damage inflicted - as a % of friendly unit capability	
T		Report accuracy	
U		Boundary/Checked Zone flag details	

### NOTES

1. Use of this ser is optional.
2. Repeat as nec.
3. Selected from:

<u>Code</u>	<u>Designation</u>
ARTY	Guns
MORT	Mortars
RKTMSL	Rockets
SSM	Surface to Surface Missiles
ACFT	Aircraft
HEL	Helicopter
UNK	Unknown

4. If GRID is specified this gives the dir of the HB from the bombarded loc.
5. Selected from:

<b>TYPE CODE</b>	<b>TYPE DEFINITION</b>	<b>SUBTYPE CODE</b>	<b>SUBTYPE DEFINITION</b>
ADA	Air Defence Arty	UNK LT MDM HV MSL POS	Unknown Lt Medium Heavy Missile Position
ARMOR	Armour	UNK LT MDM HV APC POS	Unknown Lt Medium Heavy Armoured Personnel Carrier Position

TYPE CODE	TYPE DEFINITION	SUBTYPE CODE	SUBTYPE DEFINITION
ARTY	Arty	UNK LT MDM HV POS	Unknown Lt Medium Heavy Position
ASSY	Assembly Areas	UNK TRP TRPVEH  TRPMEC  TRPARM	Unknown Troops Troops and Vehicles Mechanised Troops Troops and Armour
BLDG	Building	UNK WOOD MASNRY CONCR METAL SPCL	Unknown Wood Masonry Concrete Metal Special Purpose
BRIDGE	Bridge	UNK FTPON VEHPON CONCR WOOD STEEL SITE RAFT FERRY	Unknown Foot Pontoon Vehicle Pontoon Concrete Wood Steel Site Raft Ferry
CEN	Centre	UNK SMALL BN REGT DIV FWD	Unknown Small Bn Regiment Division Forward
EQUIP	Equipment	UNK RADAR EW  SLT GDNC LS	Unknown Radar Electronic Warfare Searchlt Guidance Loudspeaker

<b>TYPE CODE</b>	<b>TYPE DEFINITION</b>	<b>SUBTYPE CODE</b>	<b>SUBTYPE DEFINITION</b>
MORT	Mortars	UNK LT MDM HV VH POS	Unknown Lt Medium Heavy Very Heavy Position
PERS	Personnel	UNK INF OP  PTL WKPTY POS	Unknown Infantry Observation Post Patrol Work Party Position
RKTMSL	Rockets/ Missiles	UNK APERS LTMSL MDMMSL HVMSL ATANK POS	Unknown Anti-Personnel Lt Missile Medium Missile Heavy Missile Anti-Tank Position
SUPPLY	Supply Dump	UNK CLV CLIII CLIV CLI CLII	Unknown Class 5 Class 3 Class 4 Class 1 Class 2
TER	Terrain Features	UNK ROAD JCT HILL DEFILE LDGSTR RR	Unknown Road Road Junction Hill Defile Landing Strip Railroad
VEH	Vehicles	UNK LTWHL HVWHL RECO BOAT ACFT HEL	Unknown Lt Wheeled Heavy Wheeled Reconnaissance Boats Aircraft Helicopter

TYPE CODE	TYPE DEFINITION	SUBTYPE CODE	SUBTYPE DEFINITION
WPN	Weapons	UNK LTMG ATG HVMG  RCLR	Unknown Lt Machine Gun Anti-Tank Gun Heavy Machine Gun Recoilless Rifle

6. Selected from:

<u>Code</u>	<u>Definition</u>
UNK	Unknown
PRAND	Half Prone, Half Standing (but all prone within 15 seconds)
PRONE	All prone
PARTDUGIN	Some dug in
PARTCOVER	Some overhead protection
DUGIN	All dug in
COVER	All dug in with overhead protection

7. Selected from - FPF, Coord Illum, Continuous Illum, Nuc, FFE, Adj, Adj FFE, HF and Smk.

#### **704.13 - FIRE MISSION CALL FOR FIRE (FM.CFF)**

1. Purpose: Used to transmit initial Fire for Effect req for fire and/or orders to fire.

A		Map details: (1) Map/Chart Series Map/Chart Suffix No Map/Chart Sheet No (2) Map/Chart Edition No (2) Geodetic Datum (2)	
B		Target No.	
C		Number of fire units to fire for effect	
D	1 2 3	Target location: UTM Easting (in metres) UTM Northing (in metres) Altitude (in metres)	
E		Target Grid Zone	
F	1 2 3	Target description: Target type (3) Target subtype (3) Degree of protection (4)	
G		Target strength	

H	1	Target size:	
	2	Length or radius (in metres)	
	3	Width (in metres)	
		Attitude - azimuth of the longest axis (in mils)	
I		Report value accuracy of the target location (in metres)	
J		Trajectory type from: HIGH - High Angle LOW - Low Angle	
K		Munitions in effect: (5)	
	1	Number of volleys/rockets	
	2	Fire for effect projectile (6)	
	3	Fire for effect fuse (6)	
L		Effects required (as %)	
M		Method of control:	
	1	Method (7)	
	2	Time on target or time to fire	
N		Firing interval:	
	1	Interval (in seconds)	
	2	Duration (in minutes)	
O		End of mission (8)	

## NOTES

1. Use of this ser is optional.
2. Repeat as nec.
3. Selected from:

TYPE CODE	TYPE DEFINITION	SUBTYPE CODE	SUBTYPE DEFINITION
ADA	Air Defence Artillery	UNK	Unknown
		LT	Light
		MDM	Medium
		HV	Heavy
		MSL	Missile
		POS	Position
ARMOR	Armour	UNK	Unknown
		LT	Light
		MDM	Medium
		HV	Heavy
		APC	Armoured Personnel Carrier
		POS	Position

<b>TYPE CODE</b>	<b>TYPE DEFINITION</b>	<b>SUBTYPE CODE</b>	<b>SUBTYPE DEFINITION</b>
ARTY	Artillery	UNK LT MDM HV POS	Unknown Light Medium Heavy Position
ASSY	Assembly Areas	UNK TRP TRPVEH TRPMEC TRPARM	Unknown Troops Troops and Vehicles Mechanised Troops Troops and Armour
BLDG	Building	UNK WOOD MASNRY CONCR METAL SPCL	Unknown Wood Masonry Concrete Metal Special Purpose
BRIDGE	Bridge	UNK FTPON VEHPON CONCR WOOD STEEL SITE RAFT FERRY	Unknown Foot Pontoon Vehicle Pontoon Concrete Wood Steel Site Raft Ferry
CEN	Centre	UNK SMALL BN REGT DIV FWD	Unknown Small Battalion Regiment Division Forward
EQUIP	Equipment	UNK RADAR EW SLT GDNC LS	Unknown Radar Electronic Warfare Searchlight Guidance Loudspeaker

<b>TYPE CODE</b>	<b>TYPE DEFINITION</b>	<b>SUBTYPE CODE</b>	<b>SUBTYPE DEFINITION</b>
MORT	Mortars	UNK LT MDM HV VH POS	Unknown Light Medium Heavy Very Heavy Position
PERS	Personnel	UNK INF OP PTL WKPTY POS	Unknown Infantry Observation Post Patrol Work Party Position
RKTMSL	Rockets/Missiles	UNK APERS LTMSL MDMMSL HVMSL ATANK POS	Unknown Anti-Personnel Light Missile Medium Missile Heavy Missile Anti-Tank Position
SUPPLY	Supply Dump	UNK CLV CLIII CLIV CLI CLII	Unknown Class 5 Class 3 Class 4 Class 1 Class 2
TER	Terrain Features	UNK ROAD JCT HILL DEFILE LDGSTR RR	Unknown Road Road Junction Hill Defile Landing Strip Railroad
VEH	Vehicles	UNK LTWHL HVWHL RECO BOAT ACFT HEL	Unknown Light Wheeled Heavy Wheeled Reconnaissance Boats Aircraft Helicopter

<b>TYPE CODE</b>	<b>TYPE DEFINITION</b>	<b>SUBTYPE CODE</b>	<b>SUBTYPE DEFINITION</b>
WPN	Weapons	UNK LTMG ATG HVMG RCLR	Unknown Light Machine Gun Anti-Tank Gun Heavy Machine Gun Recoilless Rifle

4. Selected from:

<b>DEFINITION</b>		
<b>CODE</b>	<b>FIRST VOLLEY</b>	<b>SECOND VOLLEY</b>
PRAND	Half Prone, Half Standing	All Prone
PRONE	Prone	Prone
PRUG	Prone	Dug In
PROVER	Prone	Under Overhead Cover
DUGIN	Dug In	Dug In
COVER	Under Overhead Cover	Under Overhead Cover

5. The 'Ammo in Effect' ser (set) may be repeated as a gp up to two times, initial plus one. The first iteration shall be the first selected shell/fuzz combination, the second iteration shall be the second selected shell/fuzz combination. However, special considerations state that currently only one iteration shall be specified.

6. Selected from:

<b>WEAPON TYPE</b>	<b>PROJECTILE CODE</b>	<b>PROPELLANT CODE</b>	<b>FUZE CODE</b>
105MM	HEA = High Explosive HEC = APICM Anti-Personnel Sub-munition		CP = Concrete Piercing PD = Point Detonation PDD = Delay TI = Time Action VT = Variable Time VTD = Variable Time Desensitised MRP = Multi-Role Fuzz Point Detonation MRT = Multi-Role Fuzz Time



<b>WEAPON TYPE</b>	<b>PROJECTILE CODE</b>	<b>PROPELLANT CODE</b>	<b>FUZE CODE</b>
105MM	HEA = High Explosive HEC = APICM Anti-Personnel Sub-munition		MRV = Multi-Role Fuse Variable Time MRD = Multi-Role Fuse Delay
155MM	HEA = High Explosive HEI = DPICM Anti-Tank Sub-munition HED = Dual Purpose ICM HER = Rocket AML = Anti-Material Mine, Long Delay AMS = Anti-Material Mine, Short Delay APL = Anti-Personnel Mine, Long Delay APS = Anti-Personnel Mine, Short Delay	GREEN WHITE XRNGA = (Extended Range - Type A) XRNGB = (Extended Range - Type B)	CP = Concrete Piercing PD = Point Detonation PDD = Delay TI = Time Action VT = Variable Time VTD = Variable Time Desensitised MRP = Multi-Role Fuse Point Detonation MRT = Multi-Role Fuse Time MRV = Multi-Role Fuse Variable Time MRD = Multi-Role Fuse Delay
MLRS	JED = Dual Purpose ICM JEE = DPICM Anti-Personnel and Anti-Material Sub-munitions JEH = Reduced Range Practice Rocket JMT = Anti-Tank Mine JTA = MLRS Terminally Guided Warhead		TI = Time Action

<b>WEAPON TYPE</b>	<b>PROJECTILE CODE</b>	<b>PROPELLANT CODE</b>	<b>FUZE CODE</b>
MLRS	JTB = MLRS SADARM JTC = ATCMS Brilliant Anti-Tank JEL = Extended Range Rocket		TI = Time Action

7. Selected from:

<u>Code</u>	<u>Meaning</u>
AMC	At My Command
TOT	Time On Target
WR	When Ready
TTF	Time To Fire

8. Selected from:

<u>Code</u>	<u>Meaning</u>
Y	End of Mission
R	End of Mission

9. Record as Target

## **SECT 5 – AIR DEF**

### **704.14 - WEAPONS CONTROL ORDERS (WCO)**

1. Purpose: Used to give a new AD wpns con order over a specific area(s) for a given period of time:

A		Period of time - effective Date-Time Groups (DTG) of start and end of the period covered by the WCO	
B		Weapons Control Order <b>(1) (2)</b>	
C		ID of AD Unit(s) affected by the specific weapons control status imposed at BRAVO: <b>(2)</b>	
	1	Unit ID	
	2	Unit ID	
	3	Unit ID	
D		Definition of airspace control means to be implemented - airspace corridors, designated beacons, other relevant information <b>(2) (3)</b>	
E		Area - the AD area of coverage affected by the weapons control status imposed at BRAVO <b>(2) (4)</b>	

F		Sector - definition of the arc(s) where the weapon control status imposed at BRAVO applies (2) (5)	
G		Friendly aircraft information: Number Type(s) Flight path(s) IFF details (if appropriate) ID details	
H		Remarks - amplification of the WCO (as necessary)	

**NOTE** Selected from:

<u>Code</u>	<u>Meaning</u>
1	Weapons free
2	Weapons tight
3	Weapons Hold
4	Unlimited

2. Message ser BRAVO through FOXTROT may be repeated as a block (segment) for each different WCO to be in force during the period specified at ALPHA.

3. Selected from:

<u>ACO Means</u>	<u>Code</u>
Air Route	AR
Transit Corridor	TC
Traverse Level	TL
Low Level Transit Route	LLTR
Special Corridor	SC
Base Defence Zones	BDZ
Restricted Operations Zones	ROZ
Weapons Free Zones	WFZ
High Density Airspace Control Zones	HIDACZ
Atlantic Co-ordinated Route Low	ACL
Atlantic Co-ordinated Route High	ACHR
IFF Switch On Line	IFFON
IFF Switch Off Line	IFFOFF
Rear Boundary of the Forward Area	RBFA

4. Single loc are assumed to cover a 6km radius.

5. Arcs will vary where different WCO apply.

## SECT 6 – ENGINEERS SP

### 704.15 - BARRIER REPORT (BARREP)

1. Purpose. Used to pass info on friendly obs, current and planned, in the Own Force's barrier plan:

A	1	Amendment YES/NO	
	2	Designator (1)	
B		Operation Order (OPORD) reference (if applicable)	
C		Map details Map/Chart Series Map/Chart Suffix No Map/Chart Sheet No (2) Map/Chart Edition No (2) Geodetic Datum (2)	
D	1	Barrier Data: (2) Obstacle No Obstacle Nickname Obstacle Zone/Belt Name/No Task Serial No Grid Ref (GR) (2) Obstacle type (2) (3) Generic mine type (2) (4) Obstacle status (2) (5)	
	2	Barrier Data: etc,	
E	1	Obstacle effective times: (2) START Date-Time Group (DTG) END DTG	
	2	Obstacle effective times: etc,	
F		Special remarks	
G	1	Acknowledge - YES/NO	
	2	Instructions for acknowledging	
	3	Force/unit to acknowledge (2)	

#### NOTE S

1. If the answer at A is YES a unique amendment designator must be included here.
2. Repeat as nec.
3. Specific obs type selected from:

<u>Code</u>	<u>Meaning</u>
BE	Berm
CR	Crater (Road)
MF	Minefield
DM	Demolition
WO	Barbed wire obstacle
DG	Dry gap
TD	Antitank ditch
WW	Waterway
AB	Abatis
FL	Flooding
BP	Beam post obstacle
LS	Landslide
FB	Falling block obstacle
UX	UXO
BT	Booby traps
OT	Other (4)
DT	Dragon teeth

4. Selected from:

<u>Code</u>	<u>Meaning</u>
A	Area
P	Anti-personnel
H	Anti-helicopter
T	Anti-tank
N	No mines
U	Unknown
O	Off-route

5. Selected from:

<u>Code</u>	<u>Meaning</u>
PRO	Proposed
PAS	Passable
PLR	Planned Reserve
BRE	Breached
PLP	Planned Preliminary
CLR	Cleared
IMP	Prepared for Execution

CAN	Cancelled
EXE	Executed
MRK	Marked

### 704.16 - OBSTACLE REPORT (OBSREP)

1. Purpose. To report obs up the chain of comd:

A	12	Amendment YES/NO Designator (1)	
B		Map details: Map/Chart Series Map/Chart Suffix No Map/Chart Sheet No (2) Map/Chart Edition No (2) Geodetic Datum (2)	
C	1 2	Location and nearest feature Geographic place name Grid Ref (2)	
D	1 2 3 4	Obstacle data: Mines present indicator Generic mine type (2) (3) Obstacle type (2) (4) Obstacle characteristics (2) (5)	
E	1 2 3 4	Dimensions: Length in m Width in m Depth in m Height in m	
F	1 2	Entry point: Grid Ref  Exit point: Grid Ref	
G		Special remarks	
H	1 2 3	Acknowledge - YES/NO Instructions for acknowledging Force/unit to acknowledge (2)	

### NOTES

1. If the answer at A is YES a unique amendment designator must be included here.
2. Repeat as nec.
3. Selected from:

<u>Code</u>	<u>Meaning</u>
A	Area
H	Anti-helicopter
N	No mines
O	Off-route
P	Anti-personnel
T	Anti-tank
U	Unknown

4. Specific obs type selected from:

<u>Code</u>	<u>Meaning</u>
BE	Berm
CR	Road crater
IMP	Prepared
MF	Minefield
DM	Demolition
PAS	Passable
WO	Barbed wire obstacle
DG	Dry gap
BRE	Breached
MSL	Mines surface laid
TD	Antitank ditch
WW	Waterway
MRK	Marked
AB	Abatis
FL	Flooding
COV	Covered by enemy fire
BP	Beam post obstacle
LS	Landslide
FB	Falling block obstacle
UX	UXO
BT	Booby traps
OT	Other (specified)
DT	Dragon teeth

**704.17 - CONVENTIONAL MINEFIELD INTENTION TO LAY REPORT**

1. Purpose. This report is sent by a unit fmn HQ to req auth to lay a particular minefield:

<b>Format</b>	<b>Example</b>
<b>Minefield Intention to Lay Report</b>	<b>Minefield Intention to Lay Report</b>
A. Map Sheet.	A. L5420.
B. No of req.	B. 1302.
C. Tac obj of mining.	C. Rd block secur.
D. Types of mines.	D. Mixed (Mk 7, M15).
E. No and type of lanes, if known.	E. None.
F. GR of minefield	F. 765421 - 761435 - 768421 - 763437.
G. Est start and completion times.	G. 161400Z - 161800Z

**NOTE** This report must be encoded, or sent by secure means.

### 704.18 - SCATTERABLE MINEFIELD REPORT (SCATMINREP)

1. Purpose. To transmit a report about a friendly forces SM. [Note: En minefield occurrences should be reported using the OBSREP]:

A	12	Amendment YES/NO Designator (1)	
B		Map details: Map/Chart Series Map/Chart Suffix No Map/Chart Sheet No (2) Map/Chart Edition No (2) Geodetic Datum (2)	
C	1 2 3 4	Task obstacle identifier: Task Serial No Obstacle No Obstacle Nickname Obstacle Zone/Belt Name/No	
D	1 2	Location and nearest feature: Geographic place name Grid Ref (2)	
E	1 2 3	Report data: Date-Time Group (DTG) of completion General stopping power (3) Minefield density	



F	1	Minefield composition (2) Mine type (4) Mine description Quantity	
	2	Minefield composition, etc	
G	1	Unit name and nationality Unit name	
	2	Nationality	
H	1	Obstacle effective times START DTG	
	2	END DTG	
I		Special remarks	
J	1	Acknowledge - YES/NO	
	2	Instructions for acknowledging	
	3	Force/unit to acknowledge (2)	

#### NOTES

1. If the answer at A is YES a unique amendment designator must be included here.
2. Repeat as nec.
3. Selected from - LOW/MED/HIGH.
4. Selected from:

<u>Code</u>	<u>Meaning</u>
A	Area
P	Anti-personnel
H	Anti-helicopter
T	Anti-tank
O	Off-route

#### SECT 7 - EXPLOSIVE

##### 704.19 - EOD INCIDENT REPORT (EODINREP)

1. Purpose: Used to submit the initial report of an unexploded ordnance (UXO) incident giving as much basic info as is avail. The EODINREP is to be used by all pers reporting such an incident and may be used for reporting one or more apparently similar items:

		PART 1	
A	1	Location details of the UXO: Map details: Map/Chart Series Map/Chart Suffix No	

A		Map/Chart Sheet No <b>(2)</b> Map/Chart Edition No <b>(2)</b> Geodetic Datum <b>(2)</b>	
	2	Location - relative to a known installation, building, landmark or prepared grid	
	3	Ease of access: A - On foot - from EASY/DIFFICULT/IMPOSSIBLE B - By light vehicle - from EASY/DIFFICULT/ IMPOSSIBLE	
B		UXO type/description:	
	1	Confirms the type of UXO <b>(3)</b>	
	2	Unknown UXO details <b>(4)</b>	
	3	Indication of chemical or biological (CB) agent hazard <b>(5)</b>	
C		Quantity of UXOs	
D		Date-Time Group (DTG) of attack/time of impact/time of laying	
E		Effect on operations <b>(6)</b>	
F		Evacuation/safety measures:	
	1	Confirms measures taken <b>(7)</b>	
	2	Measures taken at site - YES/NO (if YES they are to be specified)	
G		NBC threat <b>(8)</b>	
H	1	Tactical information of value - enemy forces, friendly forces, hazards, etc	
	2	Point of contact (POC) details: Name Rank or appointment Telephone/Fax No(s) (secure and insecure) Radio frequencies/callsigns	
I		Rendezvous (RV) details for the Explosive Ordnance Reconnaissance (EOR)/Explosive Ordnance Disposal (EOD) party:	
	1	Grid Ref	
	2	Route description	
		<b>PART 2 (9)</b>	
J		EOD tasking details:	
	1	ID of EOR team tasked	
	2	Tasking order, recommendations, limitations and requirements for a COMTECHREP-Type B <b>(10)</b>	
X		Assigned unique incident number	

Y		Category of EOD incident - A, B, C or D <b>(11)</b>	
---	--	--	--

### NOTES

1. Users incl Obsn/Recon/Damage Assessment/Damage Rep/Chem Detection/EOR and EOD Tms.
2. Repeat as nec.
3. Selected from:

Code	Type of UXO	Code	Type of UXO
01	Bombs	10	Anti-submarine weapons
02	Grenades	11	Sea mines
03	Mines (Land)	12	Pyrotechnics
04	Missiles	13	Demolition equipment
05	Mortars	14	Improvised explosive devices (IED)
06	Projectiles	15	Miscellaneous
07	Rockets	16	Fuses
08	Sub-munitions	17	Containers and dispersers
09	Torpedoes	18	Unknown

4. UXO details are to be provided as accurately as possible using the fol categories:

Code	Conventional UXO	IED
01	Circumstances of discovery	Incident description
02	Visibility of UXO	DTG found
03	UXO appearance - shape and condition	Appearance
04	UXO dimensions - Length, width, diameter	Size
05	Colours	Are there any visible wires?
06	Markings	What method of fastening has been used (where appropriate)

<b>Code</b>	<b>Conventional UXO</b>	<b>IED</b>
07	Condition of UXO (rusted or leaking, new or old, broken or intact)	If the IED is a suspected letter bomb state: - Postmark - Is recipient a likely target? - Is IED bulky at one end? - Envelope or package type/makeup - Why is it suspicious?
08	For munitions under water add: - Prevailing conditions - Depth of UXO - How is UXO marked?	Was any warning given?
09		Are there any secondary hazards?
10		Are there any witnesses available?
11		Any other relevant information

5. Selected from:

<u>Code</u>	<u>Meaning</u>
01	No CB hazard present
02	A CB hazard is present
03	Not known
04	Totally disrupted

6. Selected from:

<u>Code</u>	<u>Effect on Operations</u>
01	Nil
02	Minor
03	Severe

7. Selected from:

<u>Code</u>	<u>Meaning</u>
01	No evacuation ordered
02	Evacuation in progress
03	Evacuation complete
04	Black

8. Selected from:

<u>Code</u>	<u>NBC State</u>
01	Low
02	Medium
03	High

9. PART 2 of the EODINCREP is to be completed by the EOD Tasking Auth on receipt of PART 1, not by the originator of PART 1.

10. The COMTECHREP-Type B msg is not incl in this Part.

11. EOD incident categories as fol:

<u>Code</u>	<u>Category Meaning</u>
A	EOD incidents constituting a grave and immediate threat. Incidents to be given top priority. Disposal operations are to be started immediately regardless of personal risk.
B	EOD incidents constituting an indirect threat. Safe waiting period may be observed.
C	EOD incidents constituting little threat. Dealt with after A and B with minimal personal danger.
D	EOD incidents that represent no threat at present.

## SECT 8 – PTL ACTIVITY

### 704.20 - PATROL REPORT (PTLREP)

1. Purpose. Used to provide info fol ptl activity:

A	1 2	Patrol designation Callsign (C/S) or nickname Parent unit/sub-unit	
B		Patrol leader	
C		Patrol size	
D		Composition of patrol	
E		Task/Msn	
F		Departure Date-Time Group (DTG)	
G		Return DTG	
H		Rtes out and in (1)	
I		Terrain	

J		Enemy(En)/Opposing forces (OPFOR):	
	1	Loc	
	2	Time activity observed	
	3	Strength	
	4	Activity/attitude	
	5	Weapons (wpns) and equipment (eqpt)	
	6	Disposition	
	7	Intention	
	8	Add observations	
	9	Comd Post(s) (CPs) identified	
K		Map correction	
L		Miscellaneous information (incl NBC, water points, helicopter landing strips (HLS), airstrips, civilian population)	
M		Results of encounters with the en/OPFOR	
N		Condition of patrol:	
	1	Wounded	
	2	Killed in action (KIA)	
	3	Missing	
	4	Captured	
O		Conclusions and recommendations	
P		Identification (ID) of debriefer	
Q		Add remarks by interrogator	
R		Comd's assessment	

**NOTE** Incl dropping off points (DOPs) and pick-up points (PUPs).

## **SECT 9 – EW**

### **704.21 - JAMMING REPORT (EWJAMREP)**

1. Purpose: Used by any victim of hostile EW atk. This is a simple report designed for use by non-specialists from the lowest levels upwards. Specialists should use the MIJIWARNREP:

A		Jamming	
	1	Type of jamming/deception (1)	
	2	Strength of jamming (2)	
	3	Mode of jamming (3)	
	4	Frequency/channel affected	
B		Location of victim	
C		Time - effective Date-Time Group (DTG) of start and duration of attack in minutes	
D		Additional information	
E		Declassification trigger - time, date or event	

## NOTES

1. From - music, tones, CW, noise, voice.
2. Weak, med, or Trong
3. Responsive, constant.

### **704.22 - MEACONNING, INTRUSION, JAMMING, INTERFERENCE WARNING (MIJIWARNREP)**

1. Purpose. Used to warn of hazardous EW sit caused by meaconing, intrusion, jamming and interference (MIJI) incidents which are of hostile, friendly (inadvertent) or unknown origin:

A		MIJI incident type	
B		Unit designator(s) of affected unit(s) <b>(1)</b>	
C		System(s) affected <b>(1)</b>	
D	1 2 3	Loc <b>(1)</b> Stage of confirmation <b>(2)</b> Geographic type Grid reference	
E		Frequency(ies)/channel(s) affected and other relevant details <b>(1)</b>	
F		Duration (Date-Time Group (DTG) followed by duration in minutes) <b>(1)</b>	
G		Assessment/description of incident <b>(1)</b>	

## NOTES

1. Repeat as nec for each different unit/system/frequency/channel affected.
2. 'Stage of confirmation' from, as appropriate:

<u>Code</u>	<u>Meaning</u>
REAL	Confirmed
PLAN	Planned
ESTD	Estimated

### **USOP 705 - AIR AVN OPS**

#### **705.01 - AIR ATTACK WARNING (AIRATTACKWARN)**

1. Purpose. Used to warn of imminent en air atks against friendly forces. It may be used in conjunction with either Global Early Warning (GEW) or Local Early Warning (LEW) msgs generated by automated AD systems:

A		Map data: Map/Chart Series Map/Chart Suffix No <b>(1)</b> Map/Chart Sheet No <b>(1)</b> Map/Chart Edition No <b>(1)</b> Geodetic Datum	
---	--	---	--

B		Effective Date-Time Group (DTG) of the early warning	
C	1 2 3 4 5 6	Early warning: Grid Ref of sighting Early warning bearing in Degrees True Verified count of aircraft (2) Aircraft generic category (3) Altitude (in feet) or as a general indicator (4) Aircraft speed (in kilometres per hour) or as a general indicator - FAST/SLOW	

### NOTES

1. Repeat as nec.
2. Enter the count of ac (1-999) fol by the verification indicator selected from:

<u>Code</u>	<u>Meaning</u>
C	Reference indicator certain
U	Reference indicator uncertain
NA	Reference indicator not available

3. Selected from:

<u>Code</u>	<u>Meaning</u>
A	Attack
B	Bomber
C	Cargo/Transport
EW	Electronic Warfare
F	Fighter
FW	Fixed-wing, General
H	High
L	Low
M	Medium
VH	Very High
VL	Very Low
RF	Reconnaissance
LOH	Helicopter, Light Observation
AAH	Helicopter, Armed/Assault/Anti-tank
UTTH	Helicopter, Utility/Technical Transport
MTH	Helicopter, Medium Transport
HTH	Helicopter, Heavy Transport



## 705.02 - AIR REQUEST (AIRREQ)

1. Purpose. To req tac air sp for land or maritime ops:

		AIR REQUEST	
		Air Request No.	
A		Details of task - destroy/neutralise/search. Target description. Location/search line details. Gives priority (if necessary). States if photo confirmation is required of recce.	
B		Time on target - specific time or AS SOON AS POSSIBLE (ASAP) and a NOT LATER THAN (NLT) time/latest time information of value	
C		Friendly forces location - where involved with or in close proximity (1000m) to the target location. (1) If no friendly forces within 1000m, NIL is to be specified. This paragraph must always be completed	
D	1 2 3 4 5 6 7	Control Arrangement - from, as applicable: 2 Radar Control - Callsign (C/S) and frequency of initial control radar 3 Radar Control - C/S and frequency of forward control radar 4 TACP/ASOC - C/S and frequency (3) 5 TACP/ALO - C/S and frequency (3) 6 TACP/FAC - C/S and frequency (3) 7 Contact point/orbit point/initial point Marker(s) - indicator smoke, panel, etc.	
E		In-Flight Report - C/S and frequency to whom in-flight report is to be made if one is necessary	
F		NOT USED	
G		NOT USED	
H		Armament requested or NOT USED, as applicable	
I		Any other information	

## 705.03 - HELICOPTER LANDING SITE REPORT (HELLSREP)

1. Purpose, to standardise the method used to transmit helicopter landing site (LS) reports.

### INFORMATION CONTENT

2. Information Elms

**Message Name :** HELLSREP  
**Exercise Ident :** as appropriate. Exercise ID and Op codewords are never to be used in the same msg. If this elm is used it should contain the fol information:) (C)(NU)  
**2.1 Exercise Nickname :** (alphanumeric entry for the codewords or nickname of the exercise to which the msg pertains) (C)(NU)  
**2.2 Add Identifier :** (if used, gives an add exercise nickname identifier using the appropriate data code, e.g. 'BLUE' to indicate that the msg is between Blue players)(C)(NU)  
**Op codewords :** (as appropriate. See restriction above)(C)(NU)  
**Msg Identifier (MSGID) :** (enter HELLSREP and details of originating unit, and other details about the msg as nec(M)(NU)  
**Msg/Report Ref :** (if used, provides unique alphanumeric ref details, comms type in data code, and ref date-time) (M)(NU)  
**Date-Time :** (provides the effective DTG of msg origin or auth for release with hr given in the rge 00 to 23)(M)(NU)  
**Organisation :** (using appropriate, auth data)  
**Designator :** codes, provides the unit designator, unit size indicator, country of the world, unit role indicator(s), higher fmn designator, and armed service or civilian agency of the unit who prepared the msg or auth its release)(M)(NU)  
**Maps :** (alphanumeric ident of all maps ref in the msg, or ref to an agreed dataset if in an automated GIS-based environ(M)(NU)  
**ALFA :** Units of Measure - (defines the units of measure to be used throughout the HELLSREP taken from ATP-38 code designators as follows:)(M)(NU):

<u>Code</u>	<u>Unit of Measurement</u>
1	Metres
2	Yards
3	Feet
4	Degrees Magnetic
5	Mils
6	km/h (kilometres per hour)
7	MPH (miles per hour)
8	Knots
9	Degrees Celsius
10	Degrees Fahrenheit

**BRAVO:** Effective DTG - (provides the DTG in ZULU time on completion of the recon)(M)(NU).

**CHARLIE:** Loc - (gives the UTM grid co-ord of the extremities of the LS. Prefixed by two (2) letter grid zone designators when there is any possibility of uncertainty about the part of the map used (M)(NU).

**DELTA:** Orientation - (gives the orientation of the Long Axis of the LS using the units of measurement listed at ALFA)(M)(NU).

**ECHO:** No/Size of LPs - (provides the no and size of LPs being reported, with size given as fol(M)(NU):

<u>Code</u>	<u>Meaning</u>
1	Large
2	Medium
3	Small
4	As briefed

**FOXTROT :** Method of Deplancement - (uses the fol numerical code to describe the method of deplancement:)(M)(NU)

<u>Code</u>	<u>Meaning</u>
1	Land
2	Hover
3	Rope
4	Abseil or Winch

**GOLF:** LS Surface - (reports the LS surface conditions in 3 parts, as fol:) (C)(NU).

1. *Classification* - coded as:

<u>Code</u>	<u>Meaning</u>
W	Firm - can support the helicopter and can be used by 2 wheel drive vehicles or 4 wheel drive vehicles and trailers, unless heavy and continuous use is intended
X	Moderate - can be used by 3 or 4 ton vehicles which should be able to start from rest using 4 wheel drive
Y	Soft - 4 wheel drive vehicles cannot start from rest but might cross if already on the move

2. *Description* - coded as:

<u>Code</u>	<u>Meaning</u>
A	Sand
B	Grass
C	Scrub
D	Snow
E	Ice
F	Marsh
G	Dust
H	Any other surface

3. *Recirculate* - indicates whether the surface will recirculate as a result of rotor downwash, using a simple Y = YES or N = NO code.

- HOTEL: Dir - (gives the dir of approach (1) and exit (2) for hel's expressed in units of measure listed at ALFA)(C)(NU).
- JULIET: Wind Details - (reports wind dir and speed using units of measurement given at ALFA, with dir reported as the bearing from which the wind is coming)(C)(NU).
- KILO: Approach Angle - (provides details of the acceptable angle(s) of approach to the LS)(C)(NU)
- LIMA: Loc/Recognition Aids - (provides the allocated numerical code for any pre-briefed loc/recognition aids provided for any particular ART)(C)(NU).

- MIKE:** Landing Aids - (provides the allocated numerical code for any pre-briefed landing aids provided for any particular ART)(C)(NU).
- NOVEMBER:** Cloud Details - (gives details of cloud cover and estimated ht above the LS, with height estimated in the unit of measurement given in ALFA)(C)(NU).
- PAPA:** Visibility/Temperature - (reported using units of measurement given at ALFA) (C)(NU).
- QUEBEC:** En - (provides details of known en posns, str and wpns, reported as - sighting no fol by grid coord, str and any wpns critical to the accomplishment of hel landings/deplanements. En sightings will normally be amplified using a SPOTREP)(O)(NU).
- ROMEO:** Posn of ART - (records the posn of the ART if remaining adjacent to the LS in order to avoid it being mistaken for the en)(O)(NU).
- SIERRA:** Obstructions - (reports obstructions in the dir(s) of hel approach and exit using the fol letter code and given in the sequence – grid co-ordinates, code letter, ht in unit of measurement given at ALFA above:)(C)(NU):

<u>Code</u>	<u>Meaning</u>
A	Buildings
B	Trees
C	Poles
D	Pylons and high tension wires
E	Others

**TANGO:** Veh Exits - (reports UTM grid coord of all exit pts for veh from the LS)(C)(NU).

**UNIFORM:** Restrictions on Tp Movement - (gives an indication of restrictions to rapid depl of tps from the LS using the fol numerical code:)(O)(NU):

<u>Code</u>	<u>Meaning</u>
1	Heavy restriction
2	Moderate
3	Unrestricted

**VICTOR:** Remarks - (allows for other pertinent information, such as a landmark to the LZ, to be described using GENTEXT as appropriate)(O)(NU).

## 705.04 - HELICOPTER REQUEST (HELQUEST)

1. Purpose. Used to req tpt hel or UTTH sp:

		HELQUEST identifier (unit ID (e.g. SIC)) and unique request ID (e.g. date plus 3-digit serial no.)	
A		Quantity and type of aircraft (A/C)	
B		Nature of task	
C	1 2 3	Pick-up point(s)(PUP) (1) (2) etc,	
D	1 2 3	Destination(s)/reconnaissance target(s) (1) etc,	
E	1 2 3	Date-Time Group (DTG) at PUP(s) or on task (1) etc,	
F		'Not after' DTG	
G		Duration of task (in hrs/mins)	
H		Passengers/casualties (3)	
I		Freight (weight in kgs) (4)	
J	1 2 3	Callsign(s) (C/S) and frequencies(s) at PUP(s) (1) etc,	
K	1 2 3	C/S(s) and frequencies(s) at destination(s) (1) etc,	
L		Briefing - C/S, frequency, location	
M		Debriefing - C/S, frequency, location	
N		Combat intelligence update	
O		Special instructions - e.g. liaison, logistic support (5)	

### NOTES

1. Repeat for multiple PUPs/loc.
2. PUPs may be GRs, nicknames or multiple loc.
3. Category - sitting, stretcher, walking - to be stipulated by nos.
4. Incl description, dimensions, wt, underslung, etc.
5. For complex ops, the system for matching pax/ld to hel types should be indicated here.

## USOP 706 - ADMIN REPS AND RTNS FORMATS

### SECT 1 – LOG AND CSS

#### 706.01 - LOGISTICS SITUATION REPORT (UNIT) (LOGSITUNIT)

1. Purpose. Used to advise on changes to holdings of eqpt, ammo, fuel (petrol, oil, lubricants (POL)) and rat at unit level:

A		LOGSITUNIT Reference No.	
B	1 2	Force weapons: Code/stock no. (1) (2) Holdings Code/stock no. (1) (2) Holdings	
C	1 2	Ammunition: Code/stock no. (1) (2) (3) Holdings Code/stock no. (1) (2) (3) Holdings	
D	1 2	Petroleum products: Code/stock no. (1) (2) (4) Holdings Code/stock no. (1) (2) (4) Holdings	
E	1 2	Rations: Code/stock no. (1) (2) (4) Holdings Code/stock no. (1) (2) (4) Holdings	
F		Add information (as necessary for amplification)	

#### NOTES

1. Repeated as nec where more than one item is being reported.
2. Using appropriate codes from the Land Forces Reportable Item List (LFRIL).
3. Holdings to be reported if over 5% used since the last LOGSITUNIT.
4. Holdings to be reported if stocks vary over 5% since the last LOGSITUNIT.

#### 706.02 - MAP REQUEST (MAPREQ)

1. Purpose. Used for submitting req for map coverage:

A		Latest Date-Time Group (DTG) required	
	1	Map details (1) Series Sheet No. Quantity	
B	2 3	Map details (1) etc, Map details (1) etc,	
C		Reason for demand	
D		Collection/delivery details	
E		Point of contact (POC) details	

**NOTE** Repeat as nec where more than one map series/sheet no is reqr.

**706.03 - MATERIAL DEMAND (MATDEM)**

1. Purpose: Used for demanding specific items or mat:

A		Demand Reference No.	
B	1	Item requested: (1) - Class of supply - Code/stock no. (2) - Relevant reference document - Equipment/materiel name - Unit of measure (as applicable) - Quantity required - Stocks on hand	
	2	Item requested: (1) etc,	
C	1	Delivery criteria: - Coded priority - Latest target Date-Time Group (DTG) for delivery - Location - Method of delivery - by whom, supply or collect	
	2	Delivery criteria: (1) etc,	
D	1	Impact of non-compliance - if supply is not possible by the latest target date for delivery/collection (1)	
	2	Impact of non-compliance (1) etc,	

**NOTES**

1. Repeat as nec where more than one item is reqr.
2. Using appropriate codes from the Land Forces Reportable Item List (LFRIL).

**SECT 2 – FORCE MOV**

**706.04 - MOVEMENT SITUATION REPORT (MOVSITREP)**

1. Purpose: Used to report the mov and mov infrastructure sit, together with detail of remedial action initiated or planned to overcome deficiencies experienced or anticipated:



A	1 2 3 4 5 6	Summary description of the overall movements situation, operational and logistic, to cover: Roads Railways Inland Waterways Maritime Air Movements Comms Systems	
B	1 2 3 4 5 6	Summary information for each of the following factors, particularly where they have an impact on reduction in capacity/efficiency of movement networks, installations or facilities (NO CHANGE should be reported where there are no remarks to make for a particular factor): Road Networks Rail Networks Inland Waterways and Ports Maritime Waterways, Ports and Beaches Airports/Airheads Movements Communications Systems	
C	1 2	Remedial Action - summarises, as follows, action to remedy the deficiencies, problems, concerns and shortfalls identified at item BRAVO: Action Progress	
D		Assessment of the course of movement according to schedule <b>(I)</b>	
E	1 2 3	Impact on forecast movements to cover: Arrivals Internal Moves Departures	

**NOTE** The assessment should use the fol std codes in combination:

<u>Code</u>	<u>Meaning</u>
I	Operational movements
II	Logistical movements
A	Traffic situation fully ensures movement operations

- |   |  |
|---|--|
| B | Traffic situation limits movement operations such that planned movement times increase by up to 100%     |
| C | Traffic situation limits movement operations such that planned movement times increase by more than 100% |
| D | Traffic situation can no longer ensure movement operations.  |

### **SECT 3 – FORCE MAINT**

#### **706.05 - REP/REC REQUEST (REPRECREQ)**

1. Gen. The purpose of this req is to demand eqpt rep or rec facilities beyond the capability of the unit maint org. The demand (req) should be fwd to the fmn svcs bn HQ or DTSG maint coy as applicable by the fastest possible means. Req will be sequentially numbered by the svcs bn/DTSG maint coy.
2. Format:
  - a. REP/REC NUMBER (demanding unit must identify either rep or rec);
  - b. IDENTITY OF UNIT REQUESTING SUP;
  - c. TYPE AND MAKE OF EQUIPMENT;
  - d. EST CONDITION CLASS (X/Y/Z/BR/UNKNOWN);
  - e. CAN EQUIPMENT BE MOVED BY DIRECT TOW, SUSPENDED TOW, UNDER OWN POWER, OR OTHER (NON VEHICLE CASUALTIES);
  - f. LOC OF CASUALTY OR RV;
  - g. ASSISTANCE REQR (INCL HEAVY LIFT);
  - h. LOCAL TAC SITUATION; and
  - i. HAS CREW REMAINED WITH EQUIPMENT.

#### **FROM RECEIVING HQ**

3. ACCEPTANCE DETAILS:
  - a. REP/REC REQUEST NUMBER;
  - b. CALL SIGN OF MOBILE REP TEAM (MRT);
  - c. ESTIMATED TIME OF ARRIVAL OF MRT AT RV LOC;
  - d. ESTIMATED TIME OF COMPLETION; and
  - e. REMARKS.

#### **706.06 - GUN AND AFV STATE (ENCODED)**

PROWORD "GUN & AFV STATE AS AT (DATE, TIME GROUP)"  
EQPT COVERED:

1. GUNS INCL ALL ARTY PIECES, MOR AND HEAVY ANTI-ARMOUR WEAPONS.
2. AFV INCL ALL ARMoured TRACK/ WHEELED VEHS. SOFT SKINNED VEHS WILL NOT BE REPORTED UNLESS LOSSES IN CERTAIN TYPE ARE CRITICAL AS TO AFFECT OPS.

TYPE OF CAS:

- S - SERVICEABLE;
- X - REQRS REP UP TO UNIT CAPACITY;
- Y - REQRS REP UP TO THE CAPACITY OF SECOND AND THIRD LINE WORKSHOPS;

Z - REQRS REP UP TO THE CAPACITY OF BASE WORKSHOPS;  
and  
BR- BEYOND ECONOMICAL REP (THIS DESIGNATION IS  
NOWMALLY USED BY TECH TRADES).

EXAMPLE:

"GUN & AFV STATE AS OF 032359Z

1. BCB, S20, Z1.
2. BDB, S12, X1, Y1, Z1"

