



STAR FLEET HANDBOOK

VOL. 13

\$1.50

star fleet handbook

acknowledgements

pp. 1-2--General Orders adapted from the Starfleet Command Training Manual by John Wetsch.
pp. 11-12--Klingon spacecraft designs by Patrick Flannery
pp. 13-14--concept suggested by George Perkins and Jeffrey Holt

graphics design conceived by Paul M. Newitt

Copyright © 1978 by Geoffrey Mandel

The STAR FLEET HANDBOOK--edited and published (irregularly) by:
Geoffrey Mandel, 201 W. 16th St. (Apt. 20A), New York, NY 10011

subscriptions and renewals: 4/\$5.00
sample copies: \$1.75

Back issues available: Vol. 11 (\$1.00), Vol. 12 (\$1.75), and the ALIENS OF STAR TREK issue (\$1.75). All prices include postage. Note to subscribers: issues from Vol. 12 onward will count as two subscriber copies, and will normally contain 16-20 pages. Otherwise, subscribers will not be affected by the new rates.

Contributions, especially articles and artwork on STAR TREK's characters, aliens and technology, are welcome. Please enclose a SASE for return of material.

ORDERS

STAR FLEET GENERAL ORDERS

STARDATE 1305.0

- 1 WHEN CONTACTING A PLANET MAKING NORMAL PROGRESS TOWARD A TECHNOLOGICAL CIVILIZATION, AN OFFICER OF STAR FLEET SHALL MAKE NO IDENTIFICATION OF SELF OR MISSION; NO INTERFERENCE WITH SOCIAL DEVELOPMENT OF SAID PLANET; NO REFERENCES TO SPACE, TO OTHER WORLDS OR MORE ADVANCED CIVILIZATIONS.
- 2 UNDER NO CIRCUMSTANCES, NOT EVEN TO SAVE HIS OWN LIFE OR THE LIVES OF HIS CREW, SHALL AN OFFICER OF STAR FLEET WILLFULLY INFLICT HARM OR INJURY ON A BEING KNOWN TO BE INTELLIGENT, UNLESS SUCH ACTION IS WARRANTED BY GENERAL ORDER 1.
- 3 IT IS THE DUTY OF AN OFFICER TO EMPLOY ALL RESOURCES AT HIS COMMAND TO PROTECT THE LIVES OF INTELLIGENT BEINGS, ALTHOUGH IN DOING SO HE SHOULD PLACE HIMSELF OR HIS VESSEL IN DANGER. INACTION, OR ACTION THAT INDIRECTLY BRINGS HARM TO INTELLIGENT LIFE, INCURS EQUAL CULPABILITY AS A VIOLATION OF GENERAL ORDER 2.
- 4 AN OFFICER SHALL OBEY AND EXECUTE TO THE BEST OF HIS ABILITIES THE ORDERS LAWFULLY GIVEN HIM BY HIS SUPERIORS, PROVIDING SUCH ORDERS DO NOT CONFLICT WITH GENERAL ORDERS 1, 2 OR 3.
- 5 AN OFFICER SHALL DO ALL IN HIS POWER TO PROTECT THE SECURITY OF THE UNITED FEDERATION OF PLANETS, ITS MEMBER PLANETS, AND ITS AGENTS INCLUDING STAR FLEET, PROVIDING SUCH ACTION DOES NOT CONFLICT WITH GENERAL ORDERS 1 THROUGH 4.
- 6 IF ALL PERSONNEL ABOARD HAS PERISHED OR BEEN RENDERED INCAPABLE OF ACTION AT THE END OF TWENTY-FOUR HOURS, A STARSHIP SHALL SELF-DESTRUCT IN ORDER TO PROTECT OTHER BEINGS FROM CONTAMINATION.
- 7 NO FEDERATION VESSEL, UNDER ANY CONDITIONS, EMERGENCY OR OTHERWISE, IS TO BE PERMITTED TO VISIT TALOS IV. TO DO SO CARRIES A MANDATORY DEATH PENALTY.
- 8 NO FEDERATION VESSEL IS TO BE PERMITTED TO ENTER THE KLINGON EMPIRE, ROMULAN STAR EMPIRE, OR KZINTI PATRIARCHATY, UNLESS SUCH CONTACT IS WARRANTED BY GENERAL ORDERS 1 THROUGH 5.
- 9 NO FEDERATION VESSEL IS TO BE PERMITTED TO VISIT ANY OTHER PLANET OR STELLAR GROUP THAT SHALL BE NAMED BY THE UNITED FEDERATION OR STAR FLEET AS UNDER QUARANTINE OR CULTURAL EMBARGO, UNLESS SUCH CONTACT IS WARRANTED BY GENERAL ORDERS 1 THROUGH 5.
- 10 AN OFFICER OF STAR FLEET IS RESPONSIBLE UNDER THE LAWS AND REGULATIONS OF THE UNITED FEDERATION, ITS MEMBER PLANETS, AND ITS AGENTS INCLUDING STAR FLEET; AND IS SUBJECT TO INTERNAL DISCIPLINE AND/OR PROSECUTION BY EXTERNAL AUTHORITIES FOR ANY VIOLATION OF SAID LAWS AND REGULATIONS.
- 11 AN OFFICER OF STAR FLEET SHALL HONOR THE TREATIES AND AGREEMENTS OF THE UNITED FEDERATION AND ITS MEMBER PLANETS, AND SHALL PROVIDE ANY AID OR SUCCOR THAT IS LAWFULLY REQUIRED BY THE SIGNATORIES OF SAID TREATIES AND AGREEMENTS.
- 12 IT IS THE DUTY OF AN OFFICER TO PROVIDE ANY AID AND ASSISTANCE THAT IS REQUIRED BY A PLANETARY CIVILIZATION IN A TIME OF CRISIS, PROVIDING SAID PLANET IS NOT PROTECTED UNDER GENERAL ORDER 1, AND THAT SUCH AID DOES NOT CONFLICT WITH GENERAL ORDERS 2 THROUGH 5.

- 13** AS LONG AS HE WEARS THE UNIFORM OF STAR FLEET, AN OFFICER SHALL NOT PROVIDE AID OR INFORMATION TO, NOR OTHERWISE ASSIST, THE ENEMIES OF THE UNITED FEDERATION; OR ANY BEINGS OR GROUP OF BEINGS POTENTIALLY DANGEROUS TO THE SECURITY OF THE UNITED FEDERATION, ITS MEMBER PLANETS, OR ITS AGENTS.
- 14** AN OFFICER OF STAR FLEET SHALL NOT ACT OR CONDUCT HIMSELF IN AN UNSEEMLY OR DISORDERLY FASHION; NOR IN ANY MANNER OFFENSIVE OR ANNOYING TO OTHER BEINGS.
- 15** AN OFFICER MAY BE RELIEVED OF DUTY AT ANY TIME IF FOUND TO BE MEDICALLY OR PSYCHOLOGICALLY UNFIT BY THE SHIP'S CHIEF MEDICAL OFFICER; OR BY A COMPETENCY REVIEW BOARD, COMPOSED OF NOT LESS THAN TWO OFFICERS OF COMMAND GRADE.
- 16** AN OFFICER MAY BE TRIED AND SENTENCED BY A COURT-MARTIAL BOARD, COMPOSED OF NOT LESS THAN THREE OFFICERS OF COMMAND GRADE, FOR CRIMES COMMITTED IN VIOLATION OF STAR FLEET GENERAL ORDERS OR FEDERATION LAWS AND MANDATES.
- 17** IN THE ABSENCE OF THE COMMANDING OFFICER, OR IF THE COMMANDING OFFICER IS KILLED, INCAPACITATED, OR DEEMED UNFIT TO COMMAND, THE HIGHEST RANKING OFFICER, EVEN IF NOT OF THE SHIP'S REGULAR COMPLEMENT, SHALL ASSUME COMMAND.
- 18** IT IS FORBIDDEN FOR AN OFFICER TO INSTIGATE, OR OTHERWISE PARTICIPATE IN, A MUTINY AGAINST SUPERIOR OFFICERS ABOARD A FEDERATION VESSEL, REGARDLESS OF THE ACTIONS OF SAID SUPERIORS. MUTINY INCURS EQUAL CULPABILITY AS A VIOLATION OF GENERAL ORDER 4.
- 19** AN OFFICER IS PROHIBITED FROM USING ANY MOOD-ALTERING SUBSTANCE WHILE ON DUTY OR DURING ALERT STATUS, OR IN A QUANTITY DEEMED EXCESSIVE, INCLUDING BUT NOT LIMITED TO: HALLUCINOGENICS, TRANQUILIZERS, STIMULANTS, ETHYL ALCOHOL, NICOTINE, AND CANNABIS PRODUCTS. JUDICIOUS QUANTITIES OF SUCH SUBSTANCES MAY BE USED DURING OFF-DUTY PERIODS, OR AS PRESCRIBED BY A PHYSICIAN.
- 20** STAR FLEET VESSELS SHALL PROVIDE ANY AID AND ASSISTANCE THAT IS REQUIRED BY PRIVATE AND COMMERCIAL VESSELS OF UNITED FEDERATION REGISTRY; AND ARE EMPOWERED TO TAKE DISCIPLINARY OR OFFENSIVE ACTION AGAINST ANY VESSEL OPERATING IN VIOLATION OF FEDERATION REGULATIONS, OR AGAINST HOSTILE VESSELS OPERATING WITHIN THE TERRITORIAL BOUNDARIES OF THE UNITED FEDERATION.
- 21** NO FEDERATION VESSEL IS PERMITTED TO TRANSPORT ANY CARGO OR SUBSTANCE THAT SHALL BE NAMED BY THE UNITED FEDERATION AS ILLEGAL, OR IN A QUANTITY DEEMED ILLEGAL; NOR ANY WEAPON OR DESTRUCTIVE DEVICE NOT REGISTERED WITH THE FEDERATION BUREAU OF COMMERCE; NOR ANY LIFE FORM KNOWN TO BE HARMFUL OR DESTRUCTIVE TO OTHER LIFE FORMS OR ECOLOGIES. STAR FLEET VESSELS ARE EMPOWERED TO BOARD AND SEARCH ANY VESSEL SUSPECTED OF TRANSPORTING CONTRABAND, AND TO SEIZE SUCH CONTRABAND AS EVIDENCE.
- 22** WHEN CONTACTING A PLANET NOT MAKING NORMAL PROGRESS OR DEVELOPMENT, OR A PLANETARY CULTURE GOVERNED, OR OTHERWISE CONTROLLED, BY NON-INDIGENOUS BEINGS, AN OFFICER MAY MAKE SUCH CHANGES IN THE SOCIAL STRUCTURE OF SAID PLANET AS ARE WARRANTED TO GUIDE IT ON A NORMAL COURSE TOWARD A TECHNOLOGICAL CIVILIZATION. ANY MISUSE OF GENERAL ORDER 22 INCURS EQUAL CULPABILITY AS A VIOLATION OF GENERAL ORDER 1.
- 23** THE DESTRUCTION OF AN INTELLIGENT BEING OR BEINGS IS PERMISSABLE ONLY TO PREVENT A VIOLATION OF GENERAL ORDER 1, AND ONLY AS THE SOLE MEANS OF PREVENTING SUCH A VIOLATION. ANY MISUSE OF GENERAL ORDER 23 INCURS EQUAL CULPABILITY AS A VIOLATION OF GENERAL ORDER 2.
- 24** THE DESTRUCTION OF ALL INTELLIGENT LIFE ON A PLANET'S SURFACE IS PERMISSABLE ONLY IN CASES OF GROSS VIOLATION OF GENERAL ORDER 1 BY THE INHABITANTS OF SAID PLANET, AND SUCH ACTION MAY BE ORDERED ONLY BY A COMMAND OFFICER OF CAPTAIN GRADE OR HIGHER. SAID OFFICER ASSUMES SOLE RESPONSIBILITY FOR THIS ORDER, AND ANY MISUSE OF GENERAL ORDER 24 INCURS EQUAL CULPABILITY AS A VIOLATION OF GENERAL ORDER 1.

EDOANS

CIVILIZATION

Edos is the second planet of a bright yellow star in the 92 Trianguli group, a globular cluster at the edge of our Galaxy. Composed primarily of Population II stars, the cluster supports very few habitable planets, and for this reason, Edos is an ideal starting point for scientific expeditions studying the energy barrier at the Galaxy's rim. It is not in the path of expansion of any of the aggressive star empires, and the unassuming nature of the Edoans permit them to coexist with their stellar neighbors, the Klingons and Romulans, while maintaining a loose alliance with the Federation.

Edoans have been civilized for many thousands of years, and the older Edoan dynasties have recorded the planet's history for over 25,000 standard years. The conspicuous lack of other tripedal life forms on Edos suggests that they are not native to the planet (Edoan creation myths have no counterpart to Terro-Christianity's Adam and Eve or Orthodox Vulcan's Saar and T'Pel), but it may simply be that the tripedal form was a survival characteristic on primeval Edos. Since tripedal life is virtually unknown in our Galaxy, anthropologists have surmised that Edoans are native to another galaxy or perhaps to a star system in the intergalactic void, in spite of the problems posed by such an assumption. In any event, Edoans have long since achieved a highly-advanced technological plateau, and for most of their recorded history have remained a "stagnant" or arrested culture.

A prominent trait of the Edoan is his natural shyness—a strong sense of what has been described (perhaps inaccurately) as modesty compels them to prefer their own company to that of other beings. Their long life-span (estimated by some exobiologists to be in excess of 350 years, although Edoans seem particularly reluctant to discuss this aspect of their society) enables them to adopt a relaxed, almost lethargic, outlook on life.

Edoan civilization is constructed around tightly-knit family groups or dynasties—they practise reciprocal exogamy, a genetic necessity in such a small racial population, but otherwise take very little interest in other dynastic groups. Neutrals by nature, they are not at all concerned with interstellar affairs, and retain their UFP alliance only as a matter of convenience. Isolation from other cultures, physiological as well as spatial, has contributed to their diffidence, and unlike most other humanoids, they do not exhibit primate curiosity.

Certain Edoan social institutions, such as enormous "temples" described by infrequent visitors to Edos, are particularly baffling to Federation sociologists, and until they permit cultural observers to enter their society, there is little hope of gaining further insight into their culture. In spite of this, Edoans have been willing and even eager to share their highly-developed science of sar zuvex (a completely new approach to spatial navigation) as Academy instructors and navigation specialists. There is some controversy as to how these isolated individuals are able to survive away from their family groups, and one suggestion is that the emotional atmosphere of their home world is simulated by the sessica, a slim, flutelike instrument that always accompanies an Edoan away from his native planet. It produces long, deep tones, similar to an oboe's, but with a greater range in the upper register; tones similar, some anthropologists maintain, to the "high mode" of Edoan communication, a rapid vibration of the upper lip that produces sounds more easily detectable to the Edoan's peculiar hearing apparatus.

EDOANS

PHYSIOLOGY

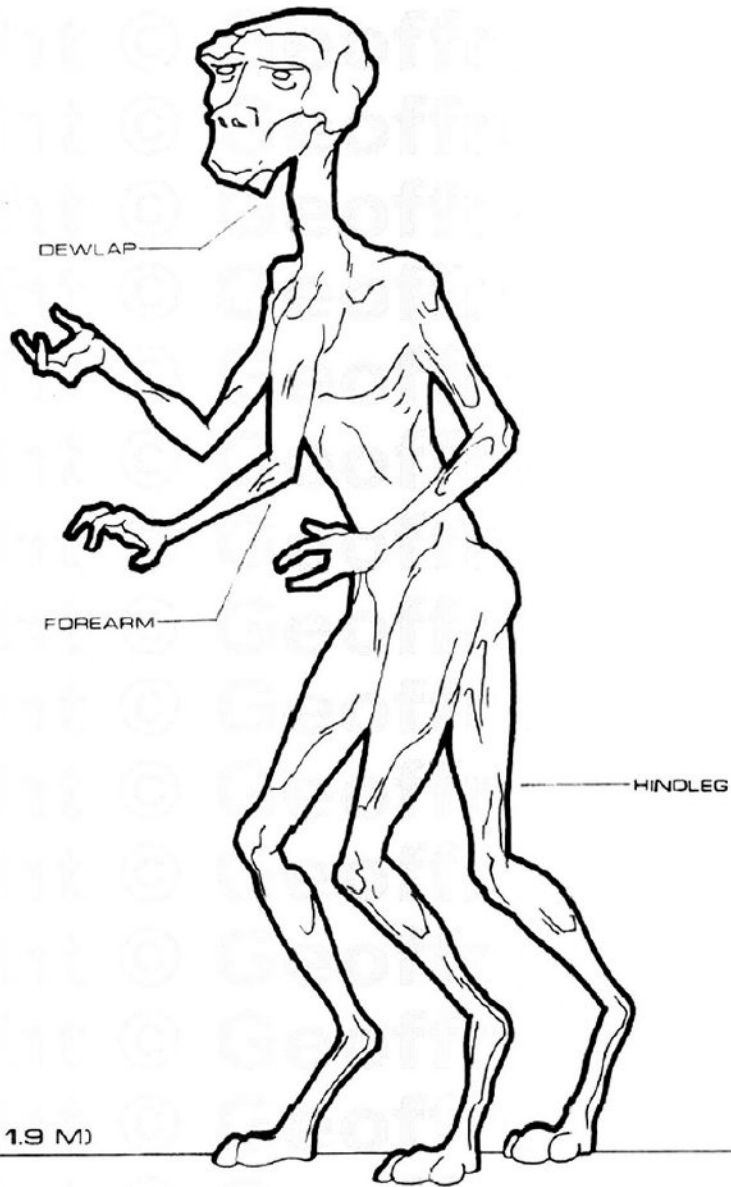
Edoans are only vaguely humanoid, and their failure to conform to conventional classifications provides something of a zoological enigma. The obvious structural peculiarity of the Edoan is its tripedal form: a third limb, or "hindleg," projects from the rear of the torso, joining the body directly below the anal cavity. The genitalia are similar to a human's, although the male's three testes are internal. An Edoan alternates the two forelegs and the hindleg while walking (using the hindleg as support when standing or kneeling), and when running employs each leg independently. Three horny appendages on each foot resemble the pads of felinoids more than humanoid toes. Edoans also possess a third arm, extending from a bony ridge of the sternum which protects a joint similar to the shoulder juncture, merging finally with the atlas vertabrae of the neck. The third arm (or "forearm") functions much as do the other two, although most Edoans are "forehanded." There are three digits on each hand, two thumbs opposing a double-knuckled finger.

The neck itself is flexible, about 25 centimeters long, and can be twisted about 150° in either direction. The facial components have an anterior axis of symmetry, and follow the usual humanoid arrangement. The skull is humanoid, but appears unusually bony under the hairless, leathery skin. Males can be recognized by a skin flap or dewlap under the chin. Edoans have no ears or conventional hearing organs, but are able to detect sound vibrations (particularly those in the upper registers) with drumlike folds of skin covering their napes. Eyesight extends into the ultraviolet, and is keener than human vision. As a rule, Edoans have a high, nasal voice, and find it difficult to master human inflection.

The limbs, body and neck of an Edoan are slim and elongated, and body weight is considerably less than the pan-humanoid norm (around 45 kilos for males, 57 kilos for females). Edoan bones are hollow like a terrestrial bird's, and coupled with their extraordinary muscular development, this makes them excellent long-distance runners. Skin coloring is orange-red, with little racial variation. Aging in Edoans is characterized by a yellow tint to the skin, most prominent in the male dewlap and other extremities. Extreme age is indicated by a drastic decrease in pigmentation, and a flaking of outer skin layers.

EDOANS

PHYSIOLOGY



MALE EDOAN (TO 1.9 M)

SCOTT

MONTGOMERY EDWARD



COMMANDER

SERIAL NUMBER: SE 197-514

OFFICIAL POSITION: CHIEF ENGINEER

CURRENT ASSIGNMENT: U.S.S. ENTERPRISE
STARSHIP CLASS
NCC-1701

NATURE AND DURATION OF MISSION:
GALAXY EXPLORATION AND INVESTIGATION:
5 YEARS

COMMENDATIONS: DECORATED TWICE BY STAR FLEET ENGINEERS

AGE: 43

NATIONALITY: TERRAN

PLACE OF BIRTH: ABERDEEN - SCOTLAND - EARTH

DATE OF BIRTH: STARDATE 1268.5 (OLD CALENDAR--3 MARCH 2222)

HISTORY: SHIPPED OUT AS A CREWMAN ABOARD A PRIVATE PROSPECTING VESSEL AT AGE 15, AND SOON PROMOTED TO ASSISTANT ENGINEER. HIRED AS AN IMPULSE ENGINEER BY THE RIGEL TRI-PLANETARY SHIPPING LINES, AND WORKED FOR FOUR YEARS ABOARD INTERPLANETARY LINERS AND CARGO VESSELS. ACCEPTED POSITION AS SENIOR ENGINEER ON THE DENEVA-ASTEROID BELT RUN, AND AT AGE 22 APPLIED FOR HIS WARP DRIVE PAPERS. SERVED HIS APPRENTICESHIP ABOARD FREIGHTER S.S. GLASGOW, AND AFTER TWO YEARS ENTERED THE MERCHANT MARINE AS A CERTIFIED TACHYON ENGINEER. ASSIGNED AS 2ND ENGINEER TO SCIENCE-PROBE VESSEL U.S.S. DENEBA QUEEN, AND AT THE END OF ITS FIVE-YEAR SURVEY MISSION, OFFERED A POSITION WITH THE EARTH-BASED COCHRANE TACHYONICS CORPORATION. ELECTED TO ENTER THE ACADEMY INSTEAD, AND AFTER THE REQUIRED TWO YEARS, STAYED ON FOR A SEMESTER AS AN INSTRUCTOR. SEVERAL OF HIS ENGINEERING TEXTS HAVE SINCE BECOME STANDARD REFERENCE WORKS. ASSIGNED AS AN ENGINEERING SPECIALIST WITH RANK OF ENSIGN TO DESTROYER U.S.S. POMPEY; QUICKLY ADVANCED TO LIEUTENANT, AND AS AN ENGINEERING OFFICER SERVED ABOARD TRANSPORT U.S.S. THALES AND DESTROYER U.S.S. SALADIN, AND FINALLY HEAVY CRUISER U.S.S. ENTERPRISE. FOUR YEARS LATER, AT AGE 38, HE REPLACED CMDR. PITCAIRN AS CHIEF ENGINEER.

SCOTT WAS ARRESTED BY AUTHORITIES ON ARGELIUS II FOR THE MURDER OF THREE WOMEN (STARDATE 3614), BUT WAS LATER ACQUITTED.

PERSONAL: UNMARRIED. FATHER AND MOTHER ARE STILL LIVING IN GREATER EDINBURGH, NO SIBLINGS. SCOTT'S FIRST AND CONSUMING PASSION IS FOR ENGINEERING, AND HE SPENDS MOST OF HIS OFF-DUTY TIME TINKERING WITH THE SHIP'S ENGINES. HE HAS A THOROUGH KNOWLEDGE OF ALL CONTROL AND SUPPORT SYSTEMS ABOARD A STARSHIP, AND HAS MADE FREQUENT CONTRIBUTIONS TO STAR FLEET TECHNICAL JOURNALS IN THESE AREAS. HE ALSO COLLECTS RARE AND EXOTIC ALCOHOLIC BEVERAGES, AND OWNS ONE OF THREE EXISTING BOTTLES OF PRE-EUGENICS WARS GALLO WINE. SIGNIFICANT ROMANCES IN

SCOTT'S PAST INCLUDE LT. CAROLYN PALAMAS, THE SHIP'S CHIEF ANTHROPOLOGIST; AND LT. MIRA ROMAINE, WHOSE FATHER, JACQUES, WAS 1ST ENGINEER ABOARD THE DENEb QUEEN.

MEDICAL:

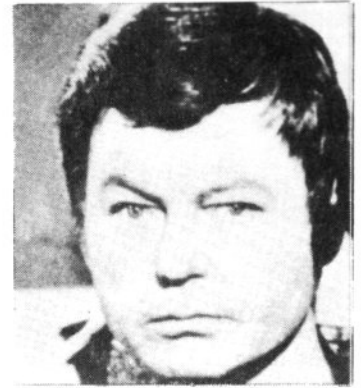
SCOTT WAS KILLED BY NOMAD (Q.V.) ON STARDATE 3541, BUT THE MACHINE WAS ABLE TO REPAIR THE INTERNAL DAMAGE AND RETURN HIM TO LIFE. HE WAS GIVEN A POWERFUL ELECTRIC SHOCK BY A BEING ON POLLUX IV (3468), WITH MINOR SURGERY REQUIRED TO REPLACE HEART TISSUE. EXPOSED TO A LETHAL FORM OF RADIATION ON GAMMA HYDRA IV (3478), HE DEVELOPED THE SYMPTOMS OF RAPID AGING, BUT THE DETERIORATION WAS REVERSED BY ADRENALIN THERAPY. HE RECEIVED A MINOR CONCUSSION IN AN EXPLOSION ABOARD SHIP THAT THREW HIM AGAINST A BULKHEAD (3614). SCOTT SUFFERS FROM HYPERTENSION, AGGRAVATED BY THE SELF-IMPOSED RIGORS OF HIS POSITION, AND HIS ERRATIC BLOOD PRESSURE MUST BE REGULATED BY AN ARTERIAL IMPLANT. EXERCISING STRICT SELF-CONTROL WHILE ON DUTY, SCOTT STORES UP HIS EMOTIONAL OUTBURSTS FOR DRINKING SESSIONS WITH THE SHIP'S CHIEF SURGEON AND INFREQUENT SHORE LEAVES. HE IDENTIFIES STRONGLY WITH THE ENTERPRISE'S ENGINES, A QUALITY WHICH HAS PROVEN VALUABLE WHEN THE LIVES OF 430 CREWMEMBERS DEPEND UPON THEIR OPERATION. HE HAS REPEATEDLY REFUSED A CAPTAINCY OF HIS OWN, PREFERRING TO LEAVE THE RESPONSIBILITIES OF COMMAND TO OTHERS.

PHYSICAL DATA:

WEIGHT--75 KILOS
HEIGHT--178 CM
HAIR--DARK BROWN
EYES--HAZEL

McCOY

LEONARD HORATIO, M.D.



COMMANDER

SERIAL NUMBER: SM 357-977

OFFICIAL POSITION: CHIEF SURGEON

CURRENT ASSIGNMENT: U.S.S. ENTERPRISE
STARSHIP CLASS
NCC-1701

NATURE AND DURATION OF MISSION: GALAXY EXPLORATION AND INVESTIGATION:
5 YEARS

COMMENDATIONS: LEGION OF HONOR
AWARD OF VALOR
DECORATED BY STAR FLEET SURGEONS

AGE: 47

NATIONALITY: TERRAN

PLACE OF BIRTH: GEORGIA - UNITED STATES - EARTH

DATE OF BIRTH: STARDATE 1265.3 (OLD CALENDAR--20 JANUARY 2218)

HISTORY: RECEIVED MEDICAL TRAINING AS A GENERAL PRACTITIONER AT THE UNIVERSITY OF GEORGIA AND JOHNS HOPKINS, DOCTORATE IN 2240. INTERNEED AT ATLANTA GENERAL FOR TWO YEARS, AND CONTINUED AS A STAFF PHYSICIAN FOR THREE ADDITIONAL YEARS. APPLIED FOR A STAR FLEET COMMISSION AT AGE 27, AND SPENT TWO YEARS AT THE ACADEMY STUDYING SPACE MEDICINE. AS AN ADVANCED INTERN IN THE FEDERATION MEDICAL ASSISTANCE PROGRAM, McCOY LED MASS-INOCULATION TEAMS TO ILYRA VI AND DRAMIA II. HE WAS LATER HELD RESPONSIBLE FOR AN OUTBREAK OF PLAGUE ON DRAMIA II, BUT WAS CLEARED OF ALL CHARGES ON STARDATE 5276. AFTER COMPLETING HIS INTERNSHIP, HE SERVED AS A SURGEON-TRAINEE ABOARD THE HEAVY CRUISER U.S.S. HOOD WITH THE BREVET RANK OF LT. COMMANDER. AFTER TWO YEARS, DIS-AGREEMENTS WITH THE CHIEF SURGEON PROMPTED HIS TRANSFER TO THE STAR FLEET SURGEON GENERAL'S OFFICE, WHERE HE REMAINED FOR SIX YEARS. AS A CULTURAL OBSERVER, HE VISITED CAPELLA IV, BETA PORTALAN II, AND URSULA IX, AND RECOMMENDED THE QUARANTINE OF VENDOR TO THE FEDERATION COUNCIL. AS A MEDICAL ADVISOR, HE OBTAINED A SECOND DOCTORATE IN PATHOLOGY, AND WROTE SEVERAL BOOKS ON THE SUBJECT. APPLIED FOR STARSHIP DUTY AT AGE 37, AND WAS ASSIGNED AS A REPLACEMENT SURGEON TO HEAVY CRUISER U.S.S. ENTERPRISE FOLLOWING THE DEATH OF CHIEF SURGEON BOYCE. RECEIVED FULL PROMOTION TO LT. COMMANDER AFTER TWO YEARS, AND FOUR YEARS LATER HE REPLACED MARK PIPER AS THE ENTERPRISE'S CHIEF MEDICAL OFFICER. RESIGNED HIS STAR FLEET COMMISSION IN 2265. RETURNED TO THE ENTERPRISE WITH THE RANK OF COMMANDER UNDER A RESERVE ACTIVATION CLAUSE ON STARDATE 7412.1

PERSONAL: PRESENTLY UNMARRIED; HE DIVORCED HIS WIFE OF FOUR YEARS, HONEY, SHORTLY BEFORE ENTERING STAR FLEET. BOTH PARENTS ARE DECEASED, NO SIBLINGS. DAUGHTER JOANNA, AGE 23, IS A NURSE ON NEW PARIS, AND WAS

LIVING ON CEREBUS II TEN YEARS AGO WHEN THE CROP FAILURE OCCURRED. HER MOTHER WAS KILLED IN THE FOOD RIOTS. JOANNA IS MARRIED, AND HAS TWO CHILDREN. McCOY WAS MARRIED BY NATIVE CEREMONY TO NATIRA, A HIGH PRIESTESS OF YONADA (STARDATE 5476), BUT THE MARRIAGE WAS ANULLED WHEN THE INSTRUMENT OF OBEDIENCE (Q.V.) WAS REMOVED. SIGNIFICANT ROMANCES IN McCOY'S PAST INCLUDE ARCHAEOLOGIST NANCY CRATER AND ENTERPRISE YEOMAN TONIA BARROWS: HE IS CURRENTLY LIVING WITH NURSE LYRA MAYER. ABOARD SHIP HE IS KNOWN AS "BONES," A CLIPPED FORM OF THE ANCIENT "SAWBONES."

MEDICAL:

McCOY IS IN EXCELLENT PHYSICAL AND MENTAL HEALTH. HE HAS HAD THE RARE AND ONCE FATAL DISEASE XENOPOLYCYTHEMIA (STARDATE 5476), AND WAS THE FIRST PATIENT TO FULLY RECOVER FROM THE DISEASE AFTER ANCIENT FABRINI TECHNIQUES WERE APPLIED. McCOY ALSO CONTRACTED A VIRUS ON THE PLANET MIRI (2713), AND AURORAL PLAGUE WHILE ON SUPPLY CALL ON DRAMIA (5276). HE WAS INSTRUMENTAL IN ISOLATING THE VACCINE IN BOTH CASES. McCOY WAS SEVERELY INJURED BY THE VIANS ON MINARA II (5121), BUT RECOVERED WITH THE AID OF A NATURAL EMPATH. AN OVERDOSE OF CORDRAZINE (3134) CAUSED McCOY TO ENTER A STATE OF WILD PARANOIA, IN WHICH HE FLED THROUGH A TIME PORTAL INTO EARTH'S PAST. THE EFFECTS EVENTUALLY WORE OFF. McCOY SUFFERS FROM ACUTE HAY FEVER, AND UNDERWENT A PARTICULARLY SEVERE ATTACK ON STARDATE 2712.

ALTHOUGH BESET WITH MORE THAN HIS SHARE OF TRAGEDIES, HIS OUTLOOK ON LIFE IS A HEALTHY ONE, AND HE BELIEVES IN LIVING EACH DAY TO ITS FULLEST. McCOY REACTS QUICKLY AND DECISIVELY, WITH AN ALMOST INTUITIVE ABILITY TO DIAGNOSE AND TREAT ILLNESS, ALTHOUGH HIS WORSHIPFUL REGARD FOR HUMAN LIFE OFTEN RESULTS IN HASTY AND EMOTIONALLY-CHARGED ACTION DURING A CRISIS SITUATION. HE TENDS TO OVER-EMPATHIZE WITH HIS PATIENTS, AND OFTEN HAS A PHYSICAL REACTION TO EXCESSIVE PAIN. McCOY'S DISTRUST OF TECHNOLOGY IS FAIRLY COMMON IN THE MEDICAL PROFESSION, AND WAS OBSERVED AS EARLY AS THE 20TH CENTURY ON EARTH. THIS DOES NOT AFFECT HIS PATIENT CARE

PHYSICAL DATA:

WEIGHT--71 KILOS
HEIGHT--183 CM
HAIR--BROWN
EYES--HAZEL

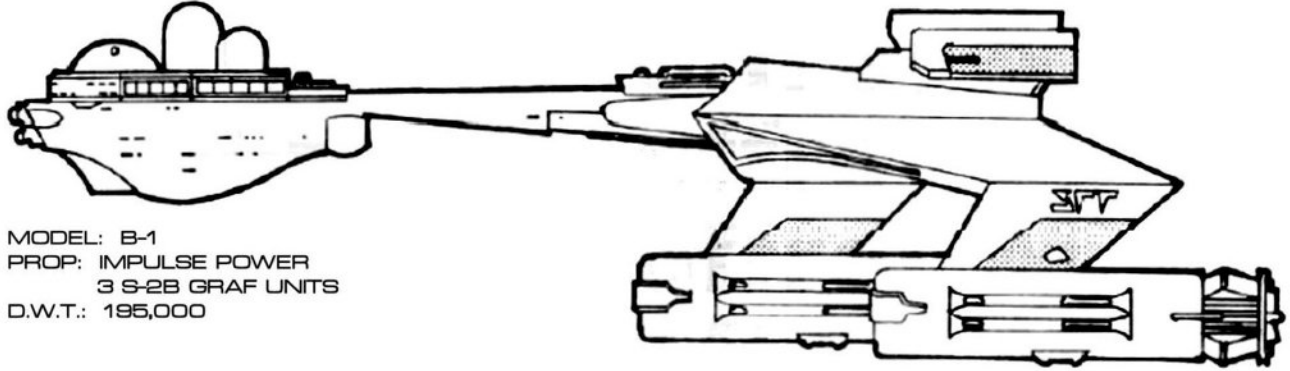
STAR FLEET HANDBOOK

AUTHENTICATED STARDATE: 7612.13

FLEET SHIP CLASSIFICATIONS

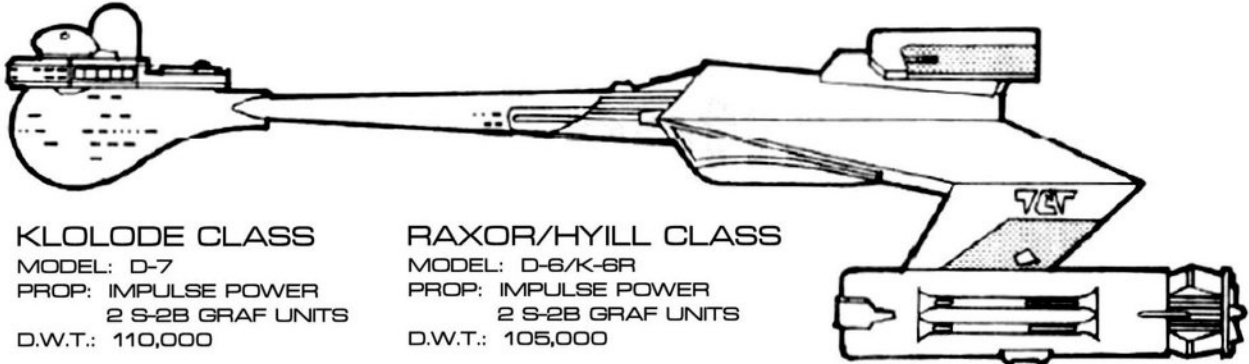
CLASS I EQUIVALENT - KLINGON IMPERIAL FLEET

BATTLESHIP - JUL'KAR CLASS



MODEL: B-1
 PROP: IMPULSE POWER
 3 S-2B GRAF UNITS
 D.W.T.: 195,000

BATTLECRUISER

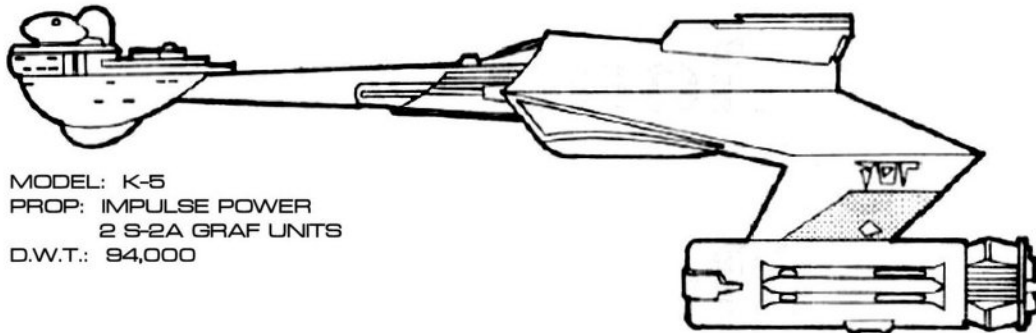


KLOLODE CLASS
 MODEL: D-7
 PROP: IMPULSE POWER
 2 S-2B GRAF UNITS
 D.W.T.: 110,000

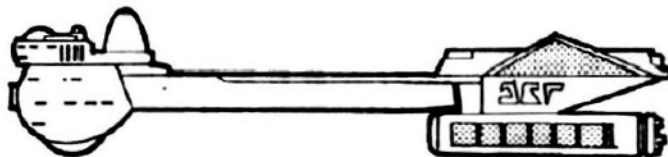
RAXOR/HYILL CLASS
 MODEL: D-6/K-6R
 PROP: IMPULSE POWER
 2 S-2B GRAF UNITS
 D.W.T.: 105,000

K-6R HYILL CLASS IS ROMULAN VARIANT OF D-6 RAXOR CLASS

LIGHT CRUISER - DUPAT CLASS



MODEL: K-5
 PROP: IMPULSE POWER
 2 S-2A GRAF UNITS
 D.W.T.: 94,000



SCOUT - AKH'IST CLASS
 MODEL: ES-A2
 PROP: IMPULSE POWER
 1 S-1B GRAF UNIT
 D.W.T.: 23,000

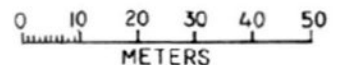
DESTROYER - KORTAK CLASS

MODEL: ED-S1
 PROP: IMPULSE POWER
 1 S-1A GRAF UNIT
 D.W.T.: 24,500

NOTE:
 D.W.T. - DEADWEIGHT METRIC TONNAGE
 PROP. - PROPULSON

FOR ADDITIONAL INFORMATION ON KLINGON SHIP CLASSES
 PLEASE CONSULT JACKILL'S KLINGON FLEET REFERENCE MANUAL

VESSEL SPECIFICATIONS LIMITED BY AVAILABLE INTELLIGENCE



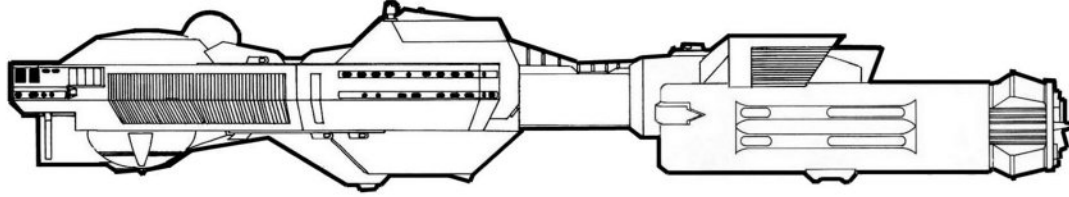
STAR FLEET HANDBOOK

AUTHENTICATED STARDATE: 7612.13

FLEET SHIP CLASSIFICATIONS

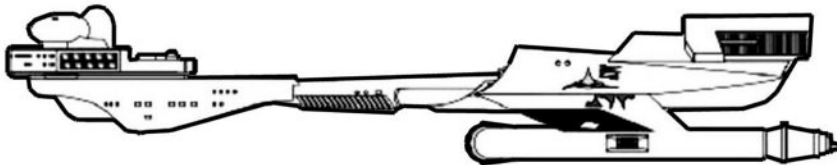
CLASS I EQUIVALENT - KLINGON IMPERIAL FLEET

HEAVY DESTROYER - K'TORR CLASS



MODEL: KD-5
PROP: IMPULSE POWER
2 S-2B GRAF UNITS
D.W.T.: 65,000

SCOUT - SHO'TAR CLASS

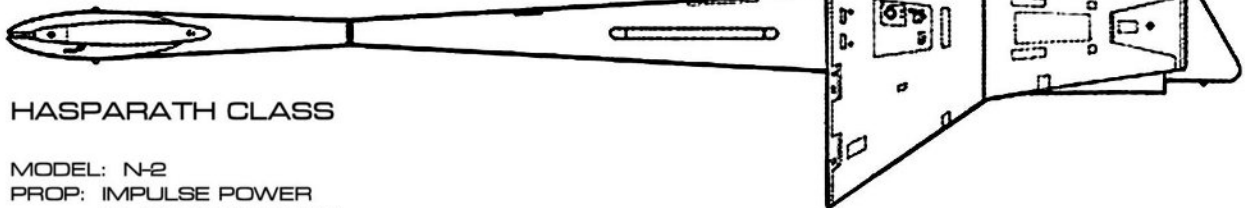


MODEL: C-2
PROP: IMPULSE POWER
1 S-2A GRAF UNIT
D.W.T.: 65,000

DESTROYER - LECTHU CLASS

MODEL: Q-4
PROP: IMPULSE POWER
1 S-2B GRAF UNIT
D.W.T.: 65,000

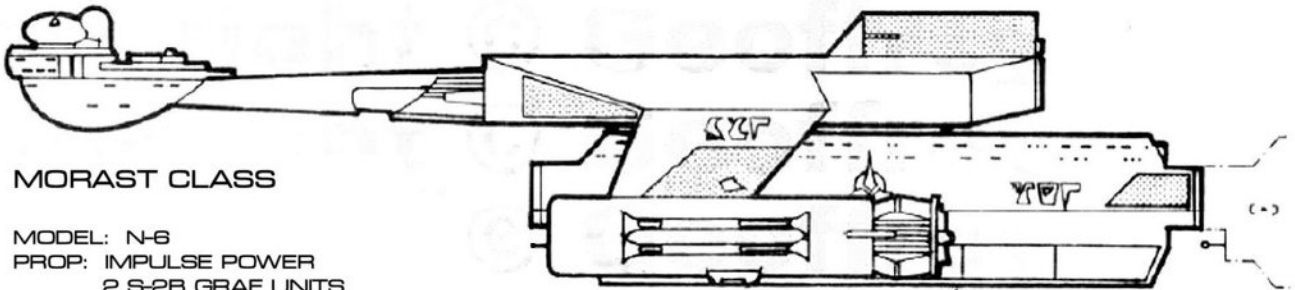
TRANSPORT



HASPARATH CLASS

MODEL: N-2
PROP: IMPULSE POWER
2 H-4 VA'AN UNITS
D.W.T.: 137,500

TRANSPORT/TUG



MORAST CLASS

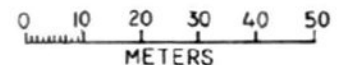
MODEL: N-6
PROP: IMPULSE POWER
2 S-2B GRAF UNITS
D.W.T.: 81,750

CARGO POD
MOD: G 5

NOTE:
D.W.T. - DEADWEIGHT METRIC TONNAGE
PROP. - PROPULSON

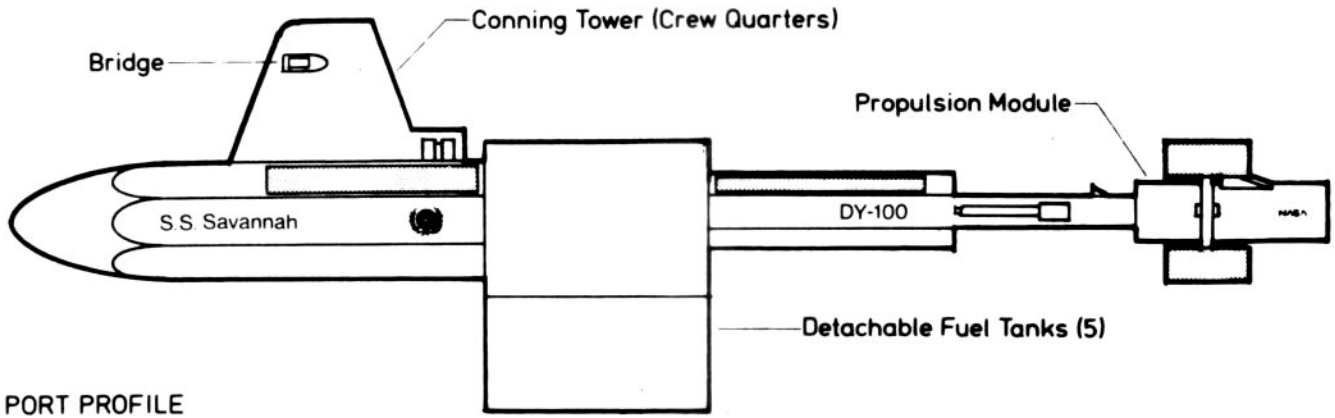
FOR ADDITIONAL INFORMATION ON KLINGON SHIP CLASSES
PLEASE CONSULT JACKILL'S KLINGON FLEET REFERENCE MANUAL

VESSEL SPECIFICATIONS LIMITED BY AVAILABLE INTELLIGENCE



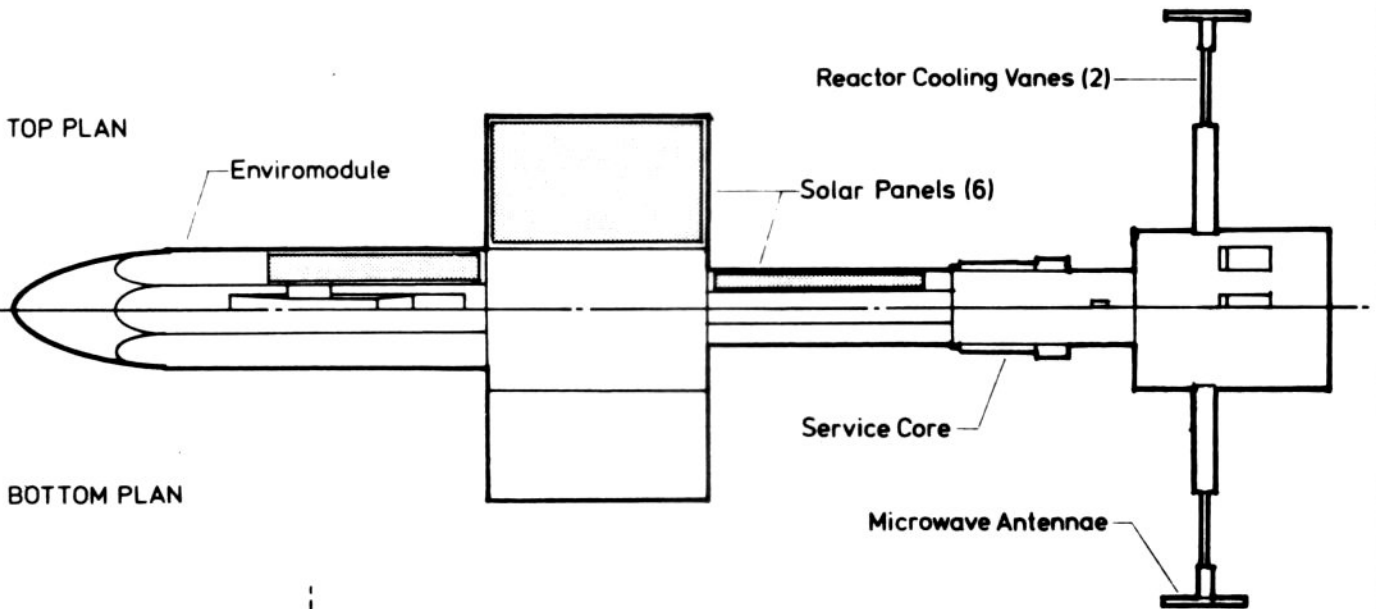
DY-100 CLASS

S.S. SAVANNAH CLASS INTERPLANETARY VESSEL



PORT PROFILE

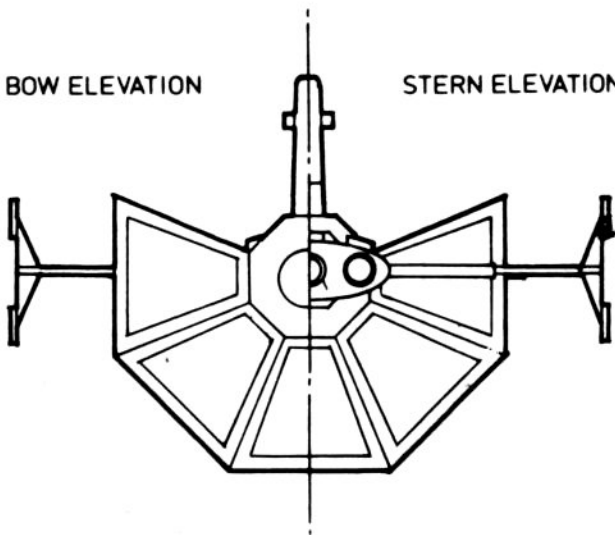
TOP PLAN



BOTTOM PLAN

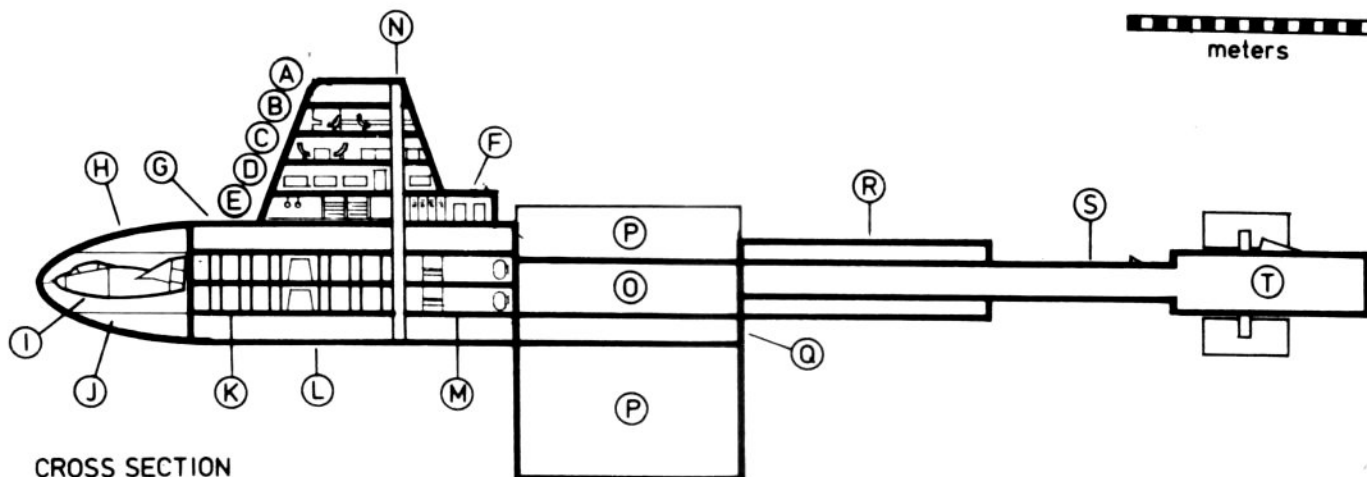
BOW ELEVATION

STERN ELEVATION



United Earth Space Probe Agency

Construction	NASA/JPL
Propulsion	3 Nuclear Reactors
Complement	(Crew) 4
	(Supercargo in Suspended Animation) 96
Length	107.59 m
Height	32.31 m
Width	48.77 m
Gross Weight	21,100 metric tons



KEY

- | | |
|------------------------------|---------------------------------------|
| (A) Radar Array | (K) Cryogenic Units (96) |
| (B) Bridge | (L) Algae Tanks/Hydroponic Garden |
| (C) Galley | (M) Hibernation Monitor Rooms |
| (D) Crew Quarters | (N) Access Well (Zero Gravity) |
| (E) Gymnasium | (O) Cargo/Storage Hold |
| (F) Airlock/EVA Suit Lockers | (P) Pressurized Hydrogen Tanks (5) |
| (G) Liquid Nitrogen Storage | (Q) Fuel Pump/Tank Jettison |
| (H) Landing Craft Hangar | (R) Solar Batteries (Shipboard Power) |
| (I) 6-Person Landing Craft | (S) Service Core |
| (J) Fuel Storage | (T) Nuclear Reactors (3) |

AUTHORIZED CONSTRUCTION

Savannah	DY-100	Chairman Mao	DY-105
Mayflower	DY-101	Half Moon	DY-106
Botany Bay	DY-102	Vasco da Gama	DY-107
Nikita Khrushchev	DY-103	James Cook	DY-108
King Charles	DY-104	Werner von Braun	DY-109

COMPLEMENT

- | | |
|------------------|------------------------------------|
| Crew: Captain | Supercargo: Landing Craft Crew (6) |
| Navigator/Pilot | Engineers (12) |
| Flight Engineer | Specialists (15) |
| Ecologist/Doctor | Construction Crew (8) |
| | Colonists (55) |



UNITED EARTH SPACE PROBE AGENCY

U.E.S.P.A. • WORLD HEADQUARTERS • 1 United Nations Plaza • New York City, New York 10027

May 13, 1990

GEOFFREY MANDEL
NASA Liaison

Dr. Imran Ahmed
Staff Consultant
Project SETI
Arecibo, Puerto Rico

Dear Imran,

Enclosed are the prospectives on the new sleeper ships--I thought you'd be interested. UESPA is still calling this stuff top secret, so please don't show these around. With any luck, the Botany Bay will be ready for a Mars expedition sometime in 1994, after we put the Savannah through a trail run. Then, on to the asteroid belt! No word yet on whether the General Assembly will authorize funds for the other seven, but it looks like 1995 at the earliest.

I've already put in my application for the Botany Bay, and if you plan to do the same, you better hurry--there are a lot of science fiction readers in our generation that will jump at the chance to colonize a new planet. I know that we never expected anything like this to come along during our "Star Trek" days at Columbia.

Have you been following this "supermen" business? It's a bit frightening to realize that during the clone scares in the 80's, there was already a group of eugenically altered twenty-year-olds living in South America. Everybody seems quite excited over the prospect of perfect bodies and longer lives for their children, and the supermen got quite a reception here in New York. I was watching the celebration from my office window, and they don't look superior to me--if anything, they looked rather bored with the whole thing.

Any news about that terrestrial planet you fellows have found around Alpha Centauri? It should be a good candidate for Project Daedalus, if we ever get it off the ground. We still hope to have a practical starship on the drawing boards by 2000--any ideas?

Best wishes,

A handwritten signature in black ink, appearing to read "Geoffrey", written in a cursive style. The signature is positioned below the typed name and extends across the width of the letter's body.

GM:ol

U.S.S. ENTERPRISE

STARSHIP CLASS

SAN FRANCISCO, CALIF.

REPRODUCTION OF ORIGINAL SHIP'S DEDICATION PLAQUE