

# STAR FLEET

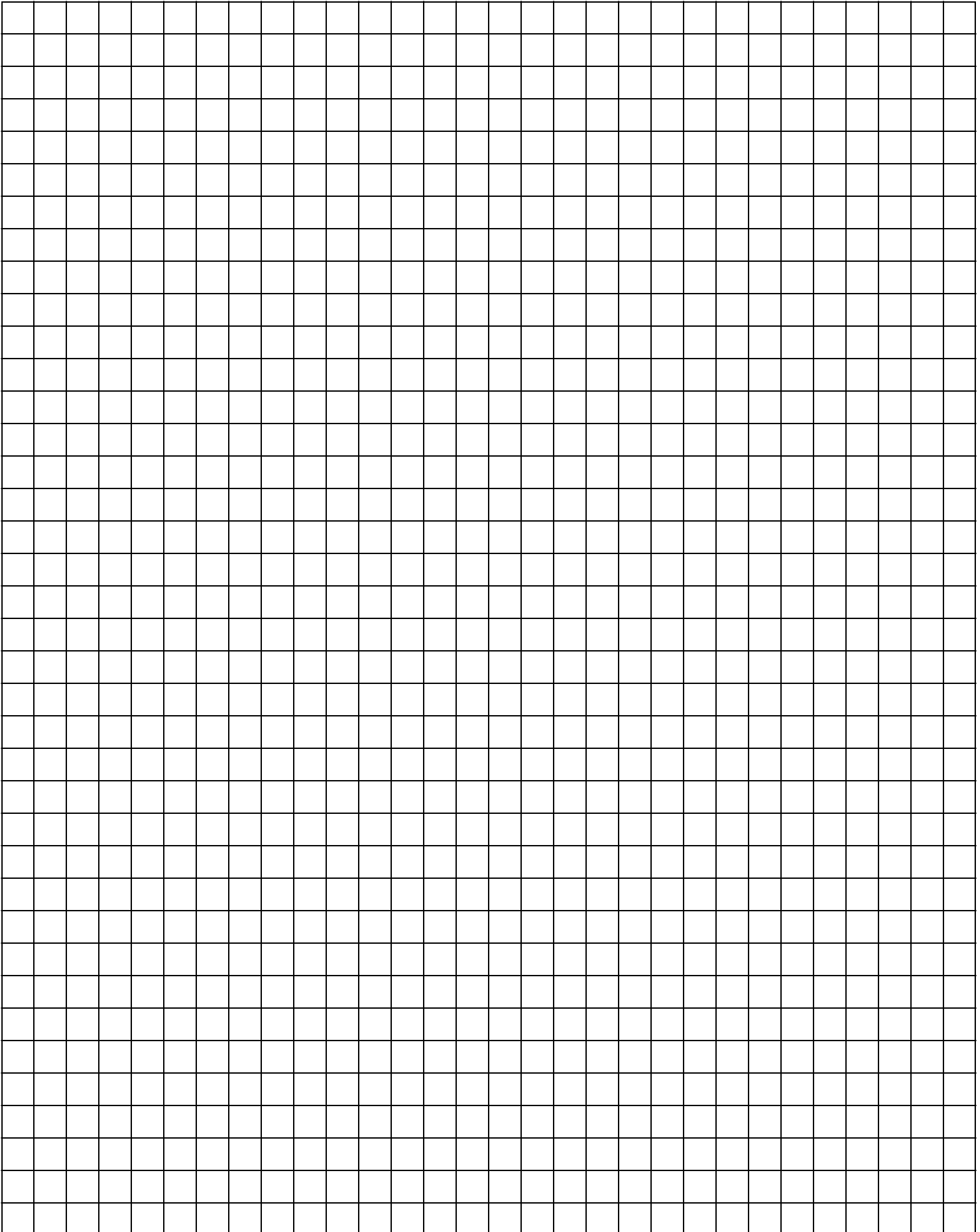
SHIPS OF THE  
STAR FLEET TECHNICAL MANUAL

RESEARCHED AND COMPILED BY NEALE DAVIDSON  
BASED ON THE WORKS OF FRANZ JOSEPH

# STARFLEET TECHNICAL ORDER

AUTHENTICATED STARDATE 7304.15

TO 0104-2



# **STAR FLEET**

## **SHIPS OF THE STAR FLEET TECHNICAL MANUAL**

**FEDERATION CLASSIFIED**

THIS MANUAL IS FOR THE SPECIFIC USE OF STAR FLEET ACADEMY CADETS AND CONTAINS SELECTED MATERIAL FROM THE DATA BANKS OF THE MASTER COMPUTER. UNDER THE LAWS OF THE UNITED FEDERATION OF PLANETS AND ITS MEMBER PLANETS: UNAUTHORIZED USE, OR REPRODUCTION, IN WHOLE OR IN PART, OF THESE TECHNICAL ORDERS OR ANY SUBSEQUENTLY ISSUED, WITHOUT THE WRITTEN PERMISSION OF STAR FLEET OR ITS PLANETARY AGENTS IS STRICTLY PROHIBITED.

**TRAINING COMMAND  
STAR FLEET ACADEMY**

OFFICIAL VERSION FOR CADETS FROM  
UNITED NATIONS, EARTH, SOL SYSTEM



# STAR FLEET

## SHIPS OF THE STAR FLEET TECHNICAL MANUAL

### SHIPS OF THE STAR FLEET TECHNICAL MANUAL

THE "SHIPS OF THE STAR FLEET TECHNICAL MANUAL" IS A HARD FORMAT COMPILATION OF FEDERATION TECHNICAL ORDERS, ARTICLES, AND OTHER WORKS ISSUED BY STAR FLEET COMMAND FOR USE IN THEIR TRAINING PROGRAMS. THE ARTICLES SO PUBLISHED HEREIN ARE FOR FAMILIARIZATION PURPOSES AND ARE AVAILABLE TO TRAINEES, INSTRUCTORS, AND ENTHUSIASTS WITH APPROPRIATE SECURITY CLEARANCE.

**ATTENTION:** CERTAIN MATERIAL CONTAINED HEREIN IS CLASSIFIED AS SECURITY LEVEL TWO BY STAR FLEET COMMAND AND THE BUREAU OF INTELLIGENCE. UNAUTHORIZED USE OF SUCH MATERIAL IS PUNISHABLE BY COURT MARTIAL, IMPRISONMENT, OR OTHER MEASURES DEPENDING ON PLANETARY LAWS AS STIPULATED BY TREATY.

CHIEF EDITOR:

NEALE DAVIDSON, CIVILIAN ADVISOR, MASTERCOM  
[WWW.PIXELSAGAS.COM]

MEMORY ALPHA AND STARFLEET MASTERCOM CATALOGING DATA:

UFP/SFD DTA RS:379260-2

COPYRIGHT ©2006 NEALE DAVIDSON

MATERIAL HEREIN BASED ON MATERIAL WITHIN:

*STAR TREK BLUEPRINTS* ©1972 BALLANTINE BOOKS

*STAR TREK TECHNICAL MANUAL* ©1975 BALLANTINE BOOKS

*FEDERATION REFERENCE SERIES* [VOL. 1-6] ©1985 STAR FLEET PRINTING OFFICE

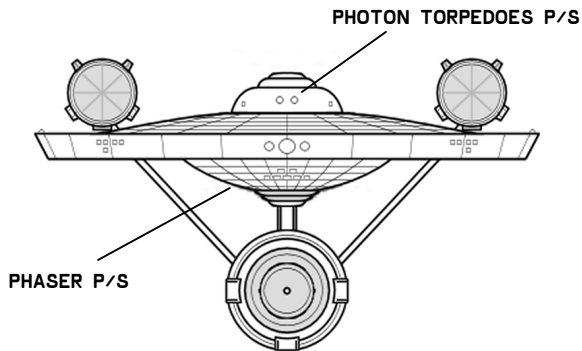
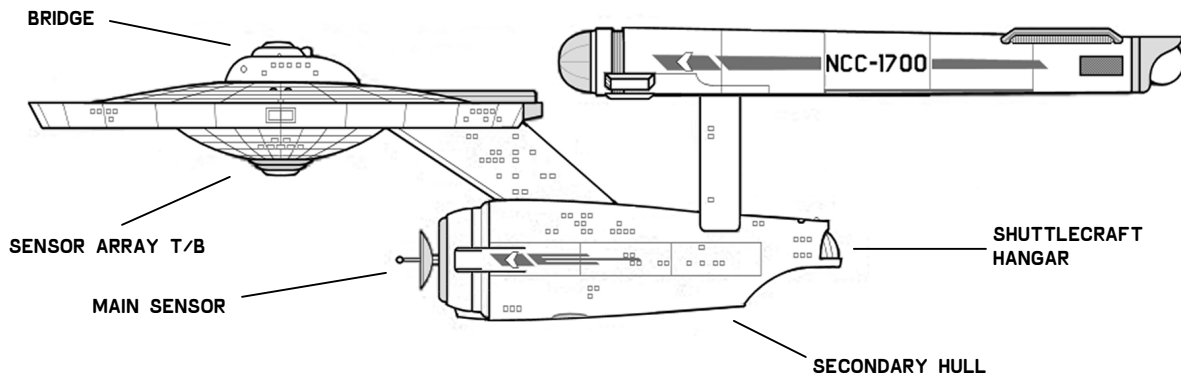
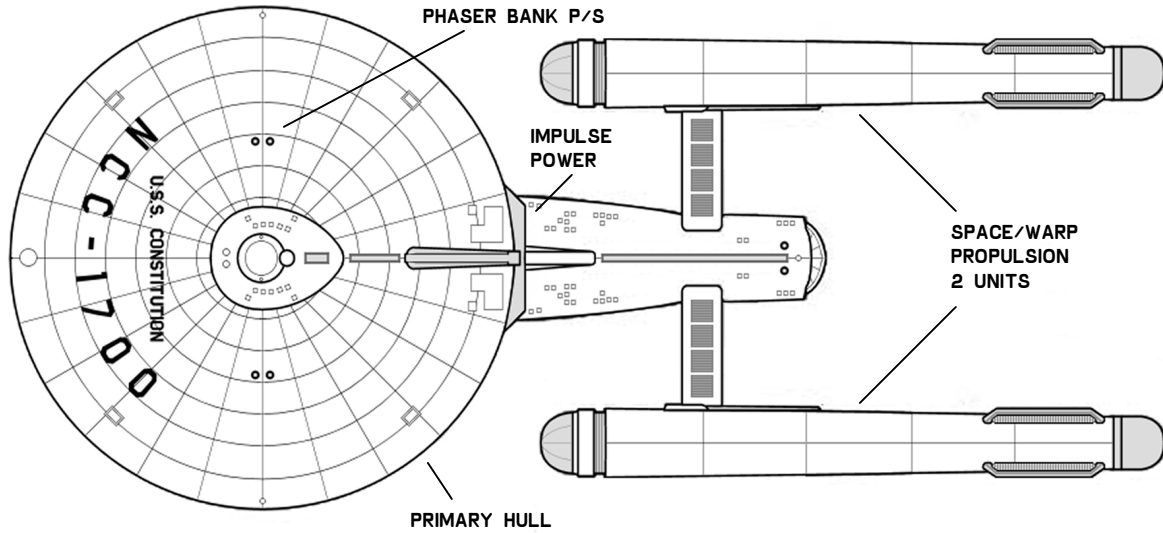
*GENERAL PLANS: DOLLOND CLASS* ©1991-1993 PATRICK LICHTY

THIS DOCUMENT HAS BEEN ESTABLISHED FOR INFORMATIONAL AND ENTERTAINMENT PURPOSES ONLY. NO INFRINGEMENT OF COPYRIGHT OR TRADEMARK IS INTENDED.

FOR MICHEAL G. DAVIDSON

# CLASS I HEAVY CRUISER

CONSTITUTION CLASS STARSHIPS



**PARTICULARS:**

DEADWEIGHT TONNAGE	190,000MT
STD. RANGE	18 YEARS AT L.Y.V
MAX. SAFE CRUISING SPEED	W/F 6
EMERGENCY SPEED	W/F 8
MAIN PHASERS	4 BANKS / 2 EACH
PHOTON TORPEDOES	2 BANKS
LENGTH OVERALL	288.6M
BREADTH OVERALL	127.1M
HEIGHT OVERALL	72.6
PRIMARY HULL DIA.	127.1M
SEC. HULL LENGTH	103.6M
SEC. HULL MAX. DIA.	34.1M
PROP. UNIT L.O.A.	153.6M
PROP. UNIT DIA.	17.3M

**STD. SHIP'S COMPLEMENT:**

OFFICERS (COMMAND)	43
CREW (ENSIGN GRADE)	387

SEE BOOKLET OF GENERAL PLANS FOR DETAILS

TO 0104-6

# HEAVY CRUISER CLASS

AUTHORIZED CONSTRUCTION

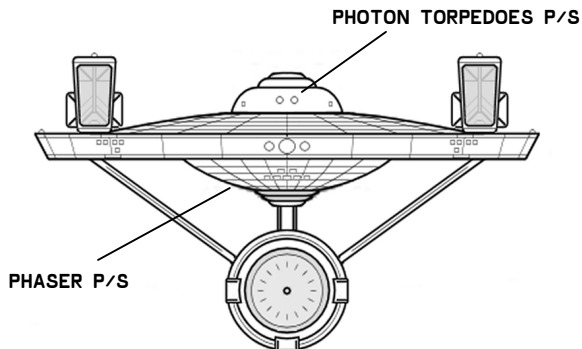
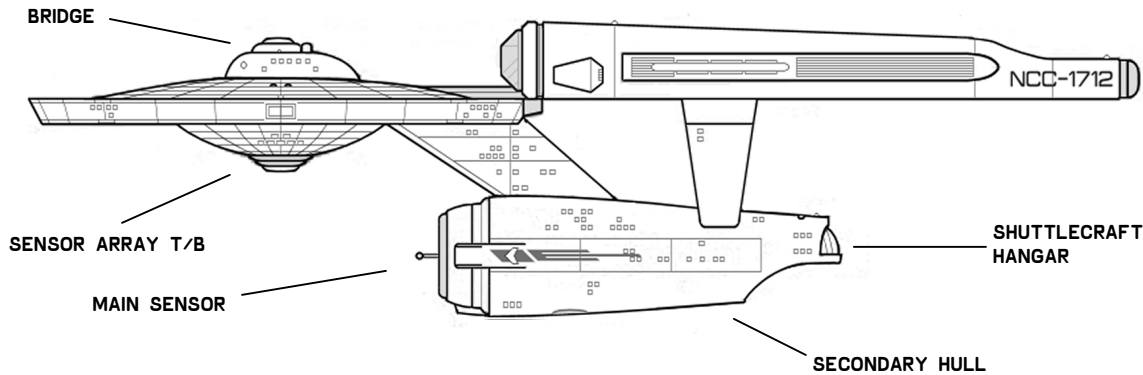
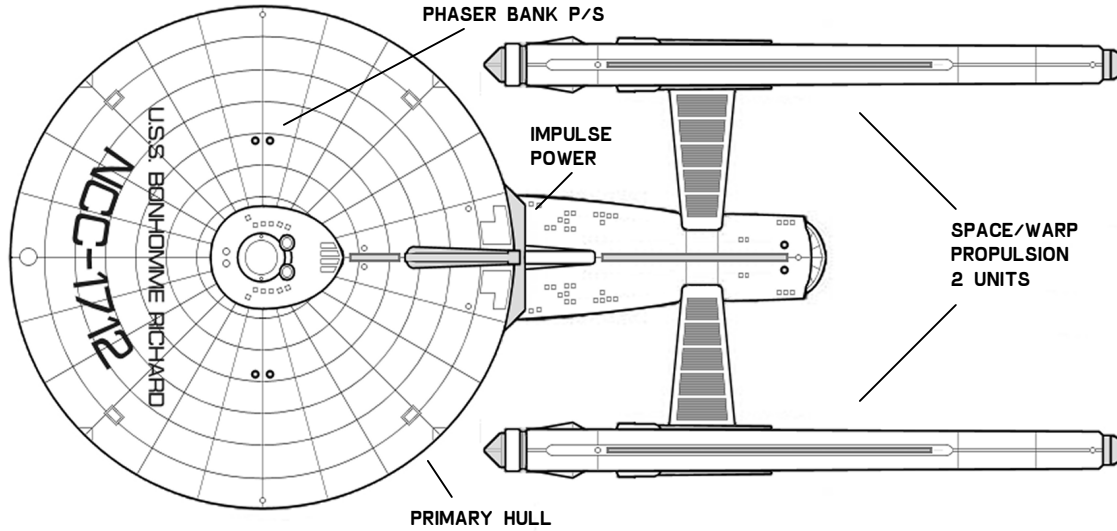
THE FOLLOWING SHIPS OF THE MK-IX CLASS WERE AUTHORIZED BY THE ORIGINAL ARTICLES OF FEDERATION OF STARDATE 0965:

CONSTELLATION	NCC-1017**	FARRAGUT	NCC-1702**	POTEMKIN	NCC-1711
CONSTITUTION	NCC-1700*	HOOD	NCC-1707	REPUBLIC	NCC-1371
ENTERPRISE	NCC-1701	INTREPID	NCC-1708**	VALIANT	NCC-1709**
EXCALIBUR	NCC-1705	KONGO	NCC-1710	YORKTOWN	NCC-1704
EXETER	NCC-1706	LEXINGTON	NCC-1703		

\*CLASS SHIP. \*\*LOST IN THE LINE OF DUTY. ALL NAMES PRECEDED WITH "U.S.S."

# CLASS I-A HEAVY CRUISER

BONHOMME RICHARD CLASS STARSHIPS



**PARTICULARS:**

DEADWEIGHT TONNAGE	175,000MT
STD. RANGE	18 YEARS AT L.Y.V
MAX. SAFE CRUISING SPEED	W/F 7
EMERGENCY SPEED	W/F 9
MAIN PHASERS	4 BANKS / 2 EACH
PHOTON TORPEDOES	2 BANKS
LENGTH OVERALL	279.5M
BREADTH OVERALL	127.1M
HEIGHT OVERALL	72.6
PRIMARY HULL DIA.	127.1M
SEC. HULL LENGTH	103.6M
SEC. HULL MAX. DIA.	34.1M
PROP. UNIT L.O.A.	160.7M
PROP. UNIT BREADTH.	14.6M

**STD. SHIP'S COMPLEMENT:**

OFFICERS (COMMAND)	43
CREW (ENSIGN GRADE)	387

SEE BOOKLET OF GENERAL PLANS FOR DETAILS

## STARFLEET TECHNICAL ORDER

AUTHENTICATED STARDATE 7304.15

TO 0104-8

**HEAVY CRUISER CLASS**

AUTHORIZED CONSTRUCTION

THE FOLLOWING SHIPS OF THE MK-IX-A CLASS WERE AUTHORIZED BY THE STAR FLEET APPROPRIATION OF STARDATE 3220:

ARI	NCC-1723	EXCELSIOR	NCC-1718	MONITOR	NCC-1713
BONHOMME RICHARD	NCC-1712*	HORNET	NCC-1714	SARATOGA	NCC-1724
EAGLE	NCC-1719	LAFAYETTE	NCC-1720	TORI	NCC-1725
EL DORADO	NCC-1722	KRIEGER	NCC-1726	WASP	NCC-1721
ENDEAVOR	NCC-1716	MERRIMAC	NCC-1715	DEFIANCE	NCC-1717
ESSEX	NCC-1727				

THE FOLLOWING REPLACEMENTS FOR THE CONSTITUTION CLASS WERE AUTHORIZED BY STAR FLEET APPROPRIATION OF STARDATE 4444:

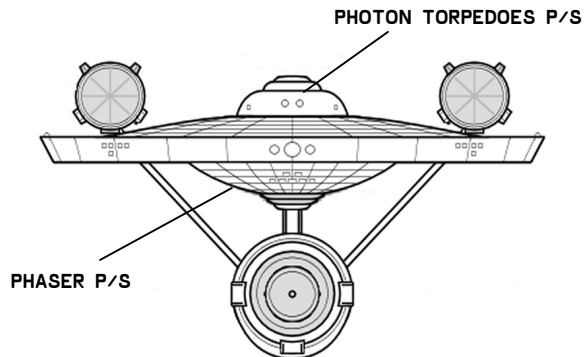
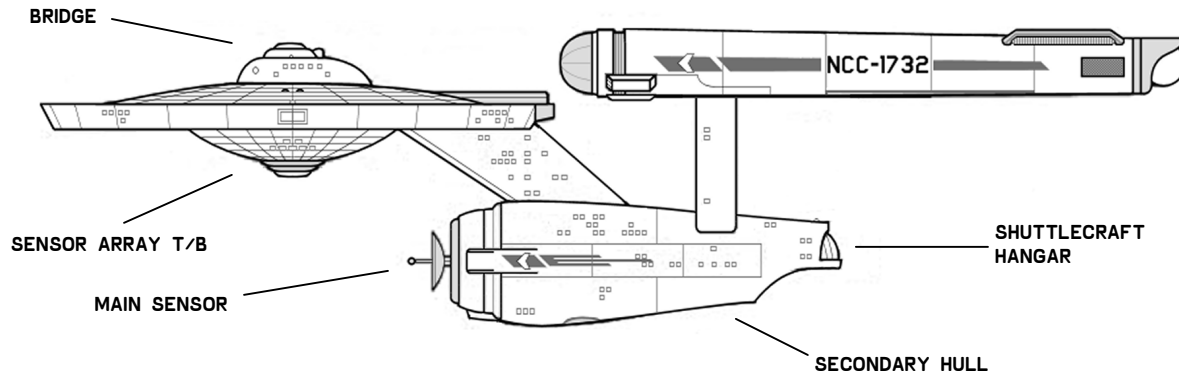
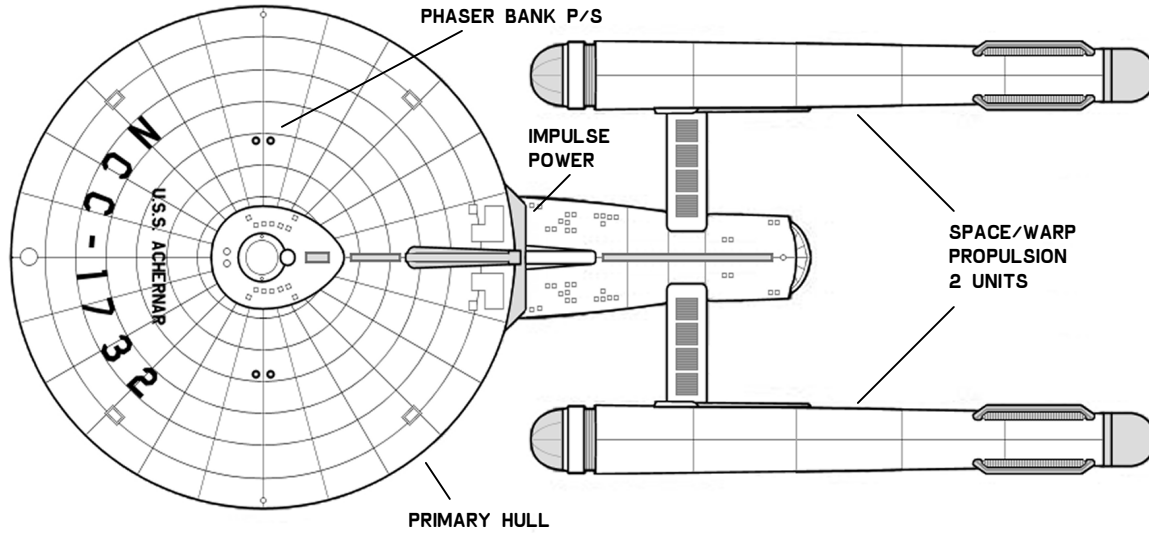
CONSTELLATION II	NCC-1728	INTREPID II	NCC-1730
FARRAGUT II	NCC-1729	VALIANT	NCC-1731

\*CLASS SHIP. \*\*LOST IN THE LINE OF DUTY. ALL NAMES PRECEDED WITH "U.S.S."



# CLASS I-B EXPLORATION CRUISER

ACHERNAR CLASS STARSHIPS



**PARTICULARS:**

DEADWEIGHT TONNAGE	175,000MT
STD. RANGE	18 YEARS AT L.Y.V
MAX. SAFE CRUISING SPEED	W/F 7
EMERGENCY SPEED	W/F 9
MAIN PHASERS	3 BANKS / 2 EACH
PHOTON TORPEDOES	2 BANKS
LENGTH OVERALL	279.5M
BREADTH OVERALL	127.1M
HEIGHT OVERALL	73.5M
PRIMARY HULL DIA.	127.1M
SEC. HULL LENGTH	103.6M
SEC. HULL MAX. DIA.	36M
PROP. UNIT L.O.A.	153.6M
PROP. UNIT DIA.	17.3M

**STD. SHIP'S COMPLEMENT:**

OFFICERS (COMMAND)	43
CREW (ENSIGN GRADE)	387

SEE BOOKLET OF GENERAL PLANS FOR DETAILS

TO 0104-10

# EXPLORATION CRUISER CLASS

AUTHORIZED CONSTRUCTION

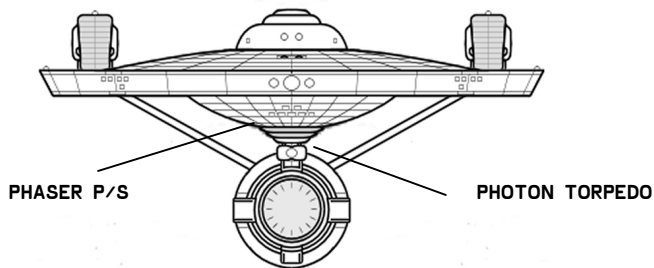
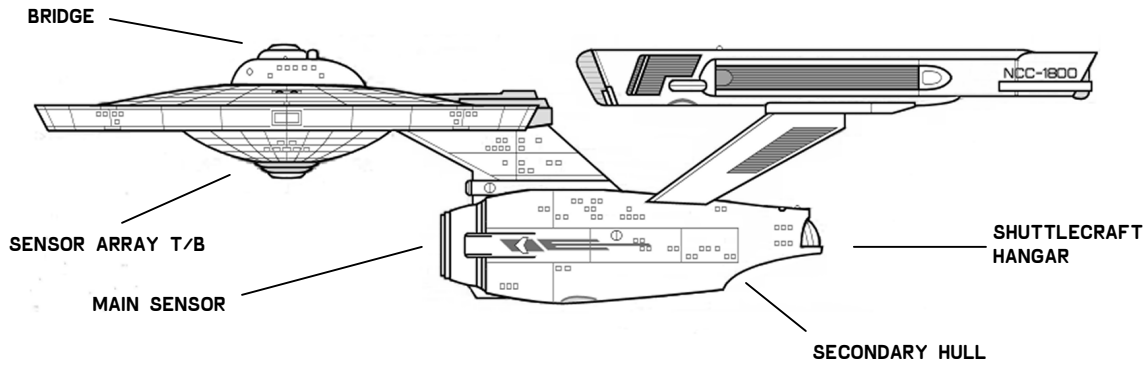
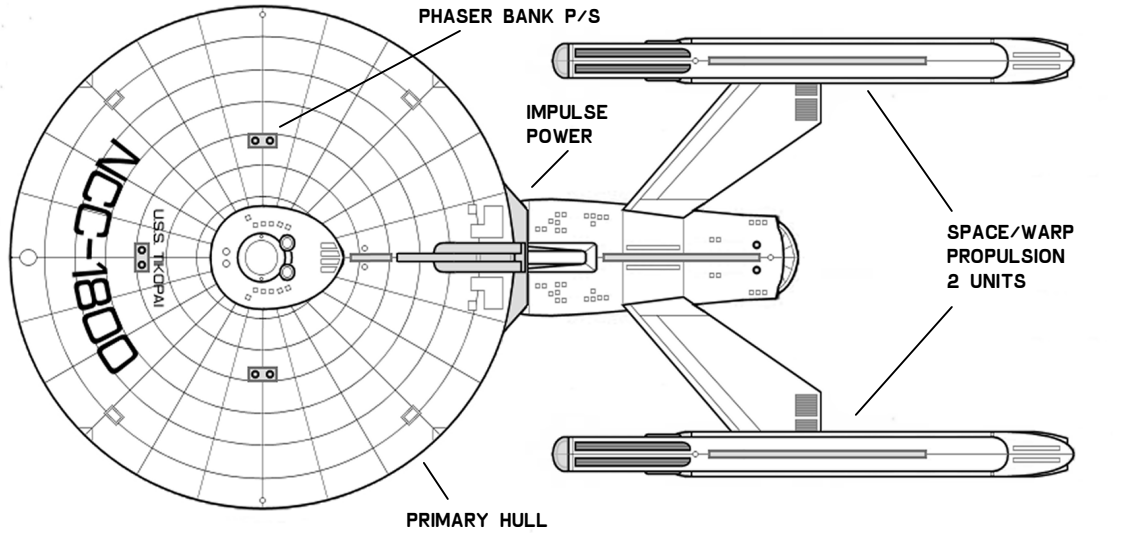
THE FOLLOWING SHIPS OF THE MK-IX-B CLASS WERE AUTHORIZED BY THE STAR FLEET APPROPRIATION OF STARDATE 5930:

ACHERNAR	NCC-1732*	JUPITER	NCC-1734	QIZAN	NCC-1775
AHZDAR	NCC-1790	KARS	NCC-1769	QUINDAR	NCC-1736
ALAM`AK	NCC-1796	KASIMAR	NCC-1784	RIGIL KENTAURUS	NCC-1735
ALFERAZ	NCC-1781	KEP SALU	NCC-1767	SALAYNA	NCC-1774
ALFR	NCC-1741	KESTRAL	NCC-1766	SAMAARA	NCC-1765
ANDROCUS	NCC-1738	KETOI	NCC-1768	SHAHR	NCC-1745
ANNOBON	NCC-1752	MAAT	NCC-1794	SHAANDRA	NCC-1795
ASTRAD	NCC-1739	MAZDA	NCC-1778	SINUJI	NCC-1770
BEHR`AK	NCC-1797	MENGEN	NCC-1773	SIRIUS	NCC-1744
CASPAN	NCC-1753	MIRAZH	NCC-1788	SOL	NCC-1733
CZARK`AK	NCC-1798	MONDOLOY	NCC-1740	TALI	NCC-1751
ELOHIM	NCC-1792	MONGO	NCC-1785	TAJARHI	NCC-1783
EKINUS	NCC-1771	NDELE	NCC-1758	TEMIR	NCC-1763
ESABL	NCC-1779	OOMARU	NCC-1761	THELONII	NCC-1742
ESKIIS	NCC-1789	OBLIK	NCC-1772	THOLIS	NCC-1747
GALINA	NCC-1764	PARI	NCC-1787	TULAN	NCC-1777
GHAR	NCC-1786	PAEGAN	NCC-1755	TUTAKAI	NCC-1799
GHONDR	NCC-1749	PELIONE	NCC-1750	XANTHII	NCC-1743
HAJJ	NCC-1782	PHARDOS	NCC-1757	YAAN	NCC-1762
HIEMDAL	NCC-1793	PILAR	NCC-1754	ZAAHM	NCC-1780
HOROK	NCC-1748	PROCYON	NCC-1756	ZA FARAN	NCC-1760
JASSAN	NCC-1754	PROMIXA	NCC-1737	ZINDAR	NCC-1759
JENSHAHN	NCC-1791	QUAL`AT	NCC-1776		

\*CLASS SHIP. \*\*LOST IN THE LINE OF DUTY. ALL NAMES PRECEDED WITH "U.S.S."

# CLASS I-C HEAVY CRUISER

TIKOPAI CLASS STARSHIPS



**PARTICULARS:**

DEADWEIGHT TONNAGE	160,000MT
STD. RANGE	22 YEARS AT L.Y.V
MAX. SAFE CRUISING SPEED	W/F 8
EMERGENCY SPEED	W/F 9
MAIN PHASERS	4 BANKS / 2 EACH
PHOTON TORPEDOES	1 BANKS
LENGTH OVERALL	267.6M
BREADTH OVERALL	127.1M
HEIGHT OVERALL	66.1
PRIMARY HULL DIA.	127.1M
SEC. HULL LENGTH	96.2M
SEC. HULL MAX. DIA.	30.1M
PROP. UNIT L.O.A.	131.0M
PROP. UNIT BREADTH.	12.2M

**STD. SHIP'S COMPLEMENT:**

OFFICERS (COMMAND)	36
CREW (ENSIGN GRADE)	350

SEE BOOKLET OF GENERAL PLANS FOR DETAILS

## STARFLEET TECHNICAL ORDER

AUTHENTICATED STARDATE 7304.15

TO 0104-12

**HEAVY CRUISER CLASS**

AUTHORIZED CONSTRUCTION

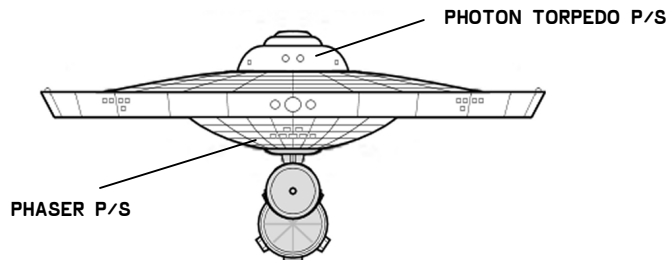
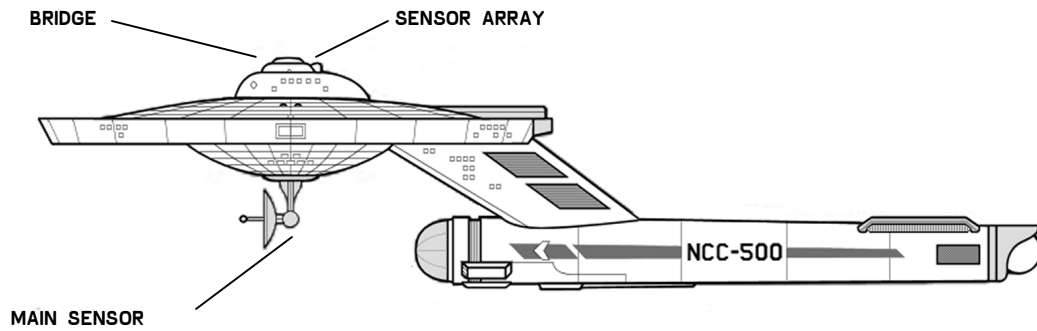
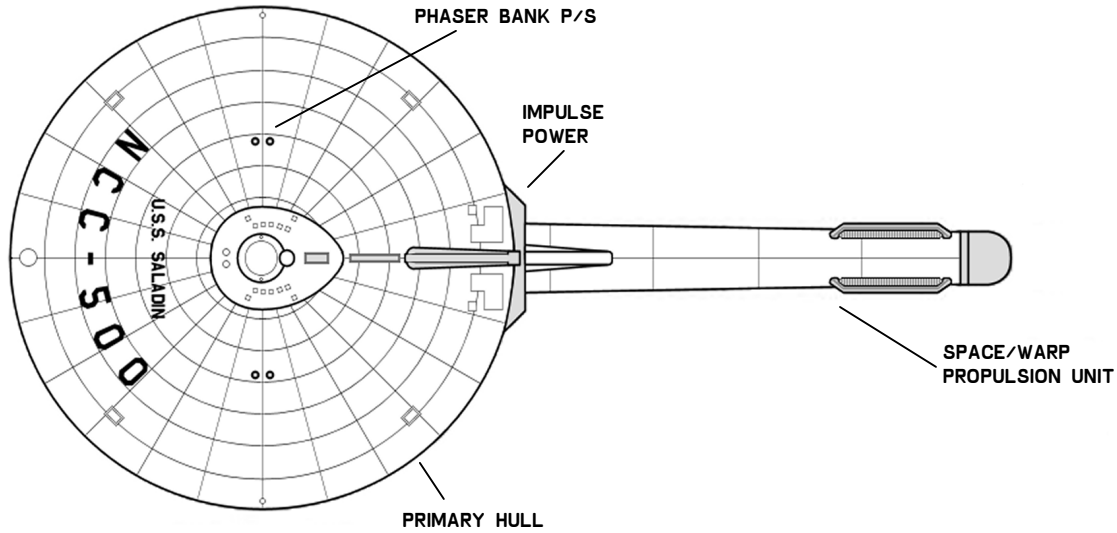
THE FOLLOWING SHIPS OF THE MK-IX-C CLASS WERE AUTHORIZED BY THE STAR FLEET APPROPRIATION OF STARDATE 5930:

ACRUX	NCC-1818	BINAR	NCC-1819	MIAPLACIDAS	NCC-1836
ADHARA	NCC-1827	CANOPUS	NCC-1814	MIRFAK	NCC-1837
AGENA	NCC-1816	CAPELLA	NCC-1809	MURZIM	NCC-1838
ALEDEBARAN	NCC-1812	CASTOR	NCC-1833	NAKARAT	NCC-1805
ALIOTH	NCC-1828	DARION	NCC-1810	POLARIS	NCC-1839
ALKAID	NCC-1829	DENEK	NCC-1826	POLLUX	NCC-1808
ALNILAM	NCC-1830	DUBHE	NCC-1834	REGULUS	NCC-1840
ALTAIR	NCC-1803	EL NATH	NCC-1835	RIGEL	NCC-1824
ANAK	NCC-1821	FOMALHAUT	NCC-1804	SARDAR	NCC-1811
ANTARES	NCC-1820	HELIOS	NCC-1825	SPICA	NCC-1815
ARCTURUS	NCC-1807	HOR	NCC-1813	TIKOPAI	NCC-1800
ARIDED	NCC-1831	KHOTAN	NCC-1802	VEGA	NCC-1806
BELLATRIX	NCC-1832	KUSHUI	NCC-1801	VENA	NCC-1817
BETELGEUSE	NCC-1822	LUX	NCC-1823	WEZEN	NCC-1842

\*CLASS SHIP. \*\*LOST IN THE LINE OF DUTY. ALL NAMES PRECEDED WITH "U.S.S."

# CLASS I DESTROYER

SALADIN CLASS STARSHIPS



**STD. SHIP'S COMPLEMENT:**

OFFICERS (COMMAND) 20  
 CREW (ENSIGN GRADE) 180

SEE BOOKLET OF GENERAL PLANS FOR DETAILS

**PARTICULARS:**

DEADWEIGHT TONNAGE	95,000MT
STD. RANGE	9 YEARS AT L.Y.V
MAX. SAFE CRUISING SPEED	W/F 6
EMERGENCY SPEED	W/F 8
MAIN PHASERS	3 BANKS / 2 EACH
PHOTON TORPEDOES	2 BANKS
LENGTH OVERALL	242.5M
BREADTH OVERALL	127.1M
HEIGHT OVERALL	60M
PRIMARY HULL DIA.	127.1M
PROP. UNIT L.O.A.	153.6M
PROP. UNIT BREADTH.	17.3M

TO 0104-14

# DESTROYER CLASS

AUTHORIZED CONSTRUCTION

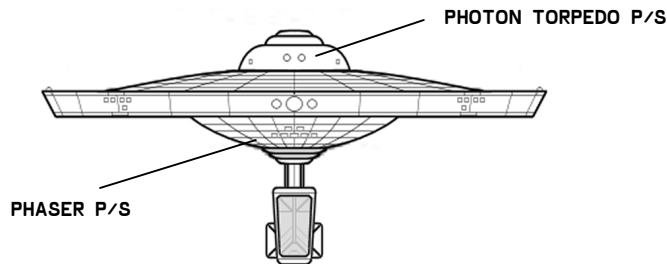
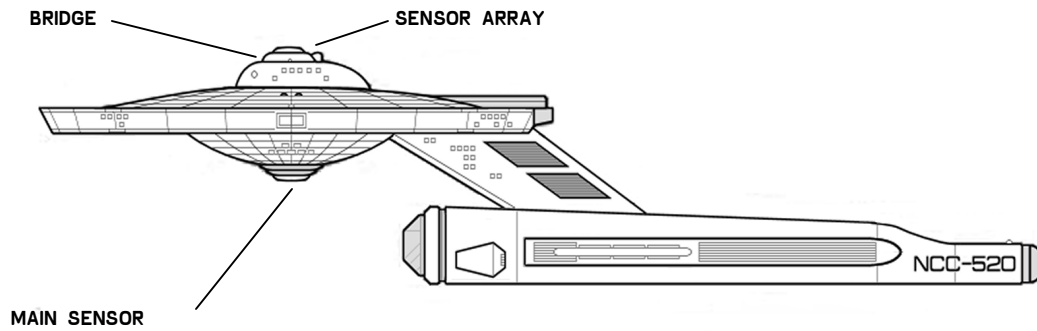
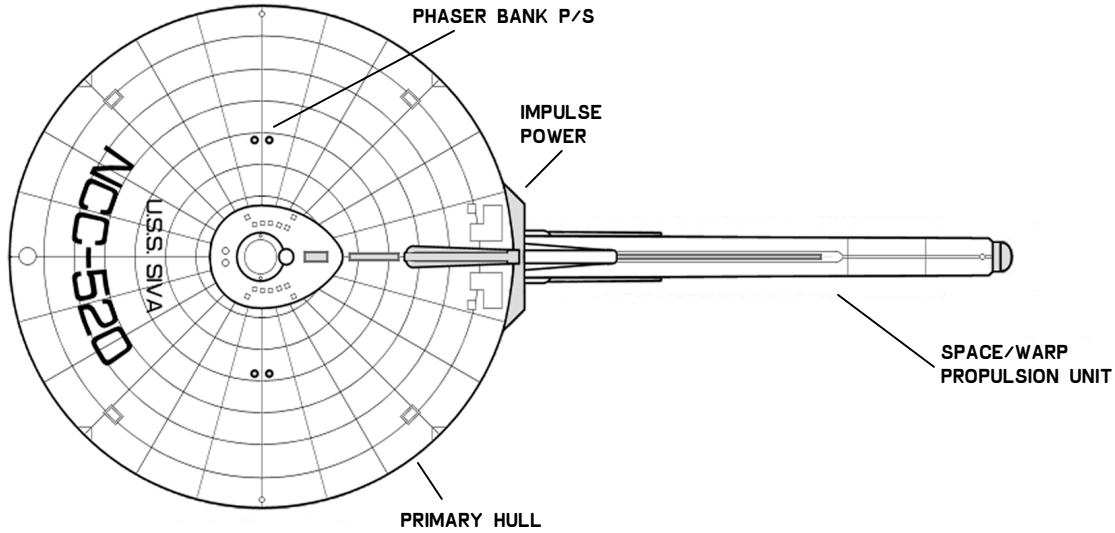
THE FOLLOWING SHIPS OF THE MK-VIII CLASS WERE AUTHORIZED BY THE ORIGINAL ARTICLES OF FEDERATION OF STARDATE 0965:

ADAD	NCC-515	HAMILCAR	NCC-518	SHAITAN	NCC-519
AHRIMAN	NCC-513	HANNIBAL	NCC-512	SALADIN	NCC-500*
ALARIC	NCC-503	HASHISHIYUN	NCC-516	SARGON	NCC-504
ALEXANDER	NCC-511	JENGHIZ	NCC-501	SULEIMAN	NCC-508
AZRAEL	NCC-517	KUBLAI	NCC-507	TAMERLANE	NCC-510
DARIUS	NCC-502	POMPEY	NCC-506	XERXES	NCC-505
ETZEL	NCC-509	RAHMAN	NCC-514		

\*CLASS SHIP. \*\*LOST IN THE LINE OF DUTY. ALL NAMES PRECEDED WITH "U.S.S."

# CLASS I-A DESTROYER

SIVA CLASS STARSHIPS



**STD. SHIP'S COMPLEMENT:**

OFFICERS (COMMAND) 20  
 CREW (ENSIGN GRADE) 180

SEE BOOKLET OF GENERAL PLANS FOR DETAILS

**PARTICULARS:**

DEADWEIGHT TONNAGE	85,000MT
STD. RANGE	22 YEARS AT L.Y.V
MAX. SAFE CRUISING SPEED	W/F 8
EMERGENCY SPEED	W/F 9
MAIN PHASERS	3 BANKS / 2 EACH
PHOTON TORPEDOES	2 BANKS
LENGTH OVERALL	254.7M
BREADTH OVERALL	127.1M
HEIGHT OVERALL	53.9M
PRIMARY HULL DIA.	127.1M
PROP. UNIT L.O.A.	160.7M
PROP. UNIT BREADTH.	14.6M

## STARFLEET TECHNICAL ORDER

AUTHENTICATED STARDATE 7304.15

TO 0104-16

**DESTROYER CLASS**

AUTHORIZED CONSTRUCTION

THE FOLLOWING SHIPS OF THE MK-VIII-A CLASS WERE AUTHORIZED BY THE STAR FLEET  
APPROPRIATION OF STARDATE 3220:

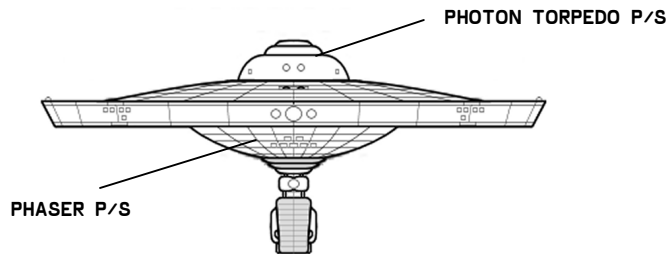
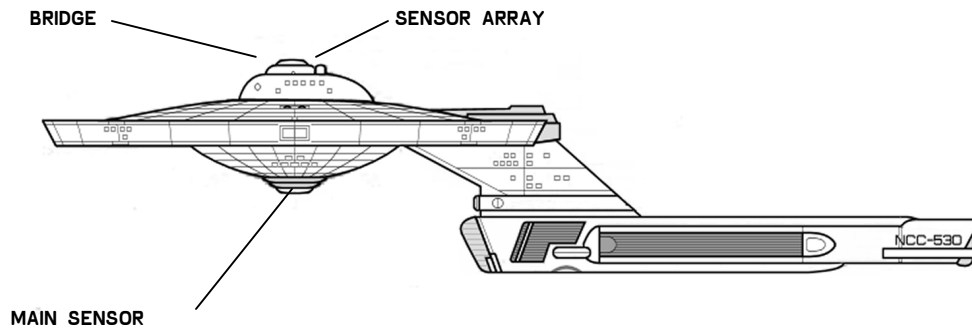
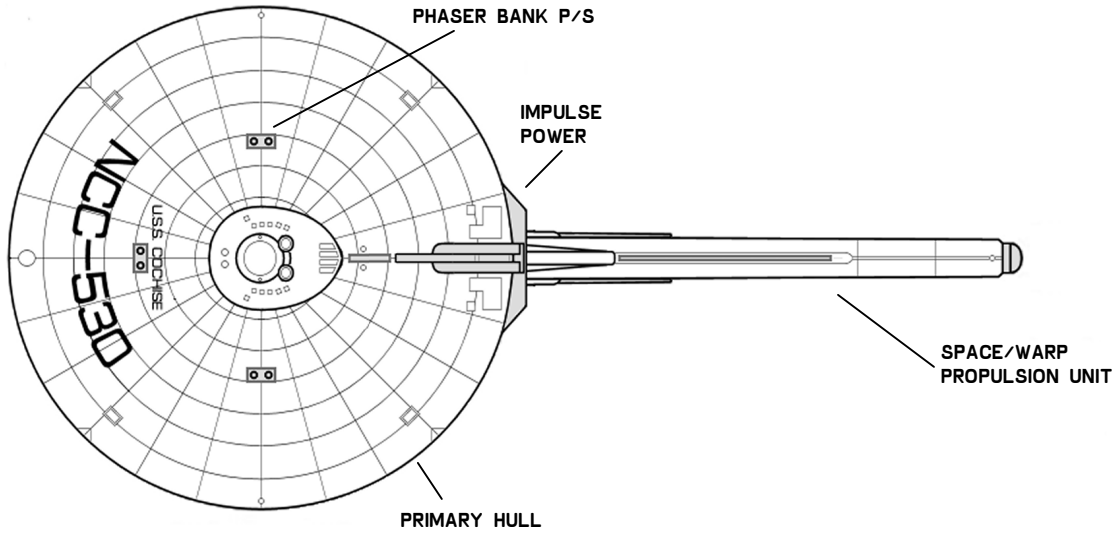
ARES	NCC-524	LOKI	NCC-529	SIVA	NCC-520*
HATHOR	NCC-523	LUCIFER	NCC-521	TYR	NCC-526
IBLIS	NCC-528	MARS	NCC-525		
JUGURTHA	NCC-5271	MOLOCK	NCC-522		

\*CLASS SHIP. \*\*LOST IN THE LINE OF DUTY. ALL NAMES PRECEDED WITH "U.S.S."



# CLASS I-B DESTROYER

COCHISE CLASS STARSHIPS



**STD. SHIP'S COMPLEMENT:**

OFFICERS (COMMAND) 20  
 CREW (ENSIGN GRADE) 180

SEE BOOKLET OF GENERAL PLANS FOR DETAILS

**PARTICULARS:**

DEADWEIGHT TONNAGE	80,000MT
STD. RANGE	18 YEARS AT L.Y.V
MAX. SAFE CRUISING SPEED	W/F 7
EMERGENCY SPEED	W/F 9
MAIN PHASERS	3 BANKS / 2 EACH
PHOTON TORPEDOES	1 BANKS
LENGTH OVERALL	242.5M
BREADTH OVERALL	127.1M
HEIGHT OVERALL	60M
PRIMARY HULL DIA.	127.1M
PROP. UNIT L.O.A.	131.0M
PROP. UNIT BREADTH.	12.2M

TO 0104-1B

# DESTROYER CLASS

AUTHORIZED CONSTRUCTION

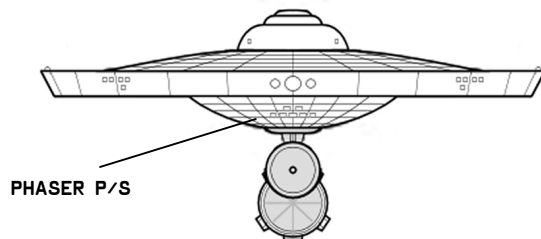
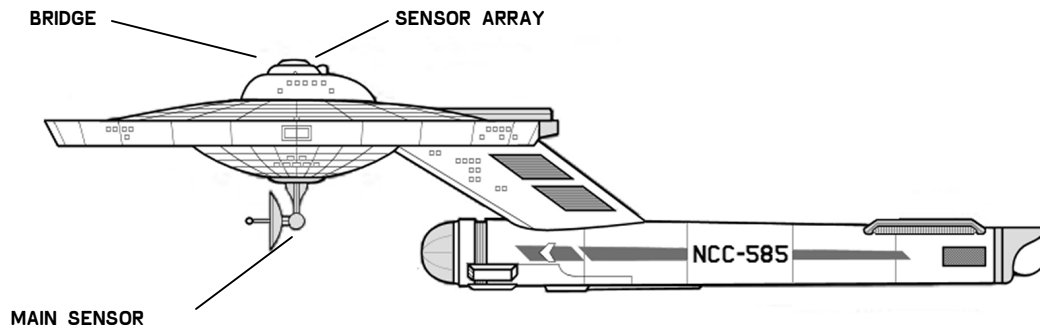
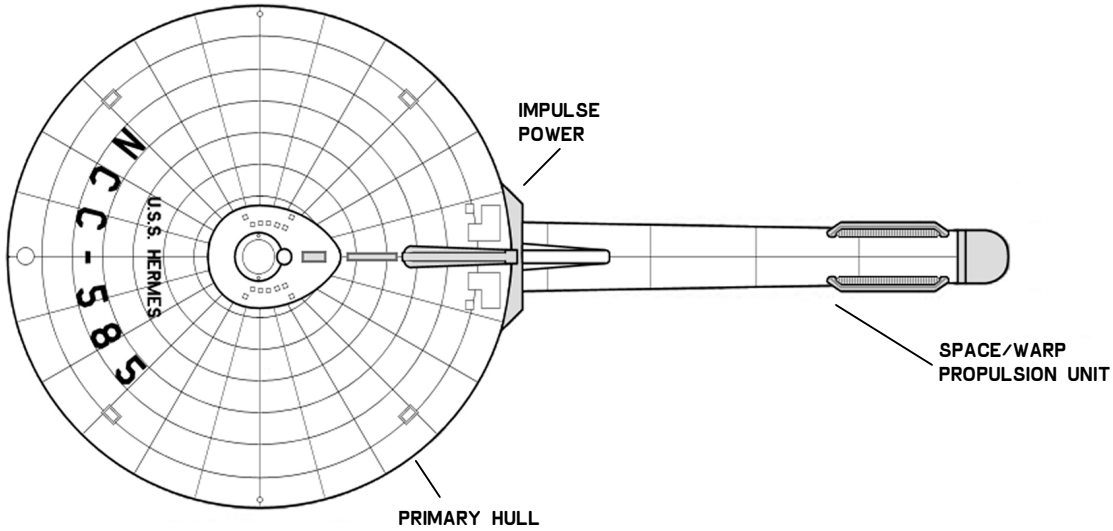
THE FOLLOWING SHIPS OF THE MK-VIII-B CLASS WERE AUTHORIZED BY THE STAR FLEET APPROPRIATION OF STARDATE 5930:

ABU BEKR	NCC-549	COCHISE	NCC-530*	MARTEL	NCC-554
ACHILLES	NCC-551	CORTEZ	NCC-536	NELSON	NCC-546
AJAX	NCC-547	DE RUYTER	NCC-538	NEY	NCC-533
AKBAR	NCC-548	DRAKE	NCC-541	PERSEUS	NCC-544
ALVA	NCC-531	EL CID	NCC-534	PONTIAC	NCC-532
ALVARADO	NCC-537	GERONIMO	NCC-535	SCIPIO	NCC-553
AL MAHDI	NCC-545	HEKTOR	NCC-539	SAMSON	NCC-543
APPOLLYON	NCC-542	IVAN	NCC-550	THESEUS	NCC-552
CIMON	NCC-555	LYSANDER	NCC-540		

\*CLASS SHIP. \*\*LOST IN THE LINE OF DUTY. ALL NAMES PRECEDED WITH "U.S.S."

# CLASS I SCOUT

HERMES CLASS STARSHIPS



**STD. SHIP'S COMPLEMENT:**

OFFICERS (COMMAND) 20

CREW (ENSIGN GRADE) 175

SEE BOOKLET OF GENERAL PLANS FOR DETAILS

**PARTICULARS:**

DEADWEIGHT TONNAGE	94,500MT
STD. RANGE	9 YEARS AT L.Y.V
MAX. SAFE CRUISING SPEED	W/F 6
EMERGENCY SPEED	W/F 8
MAIN PHASERS	1 BANKS / 2 EACH
PHOTON TORPEDOES	NONE
LENGTH OVERALL	242.5M
BREADTH OVERALL	127.1M
HEIGHT OVERALL	60M
PRIMARY HULL DIA.	127.1M
PROP. UNIT L.O.A.	153.6M
PROP. UNIT BREADTH.	17.3M

TO 0104-20

# SCOUT CLASS

AUTHORIZED CONSTRUCTION

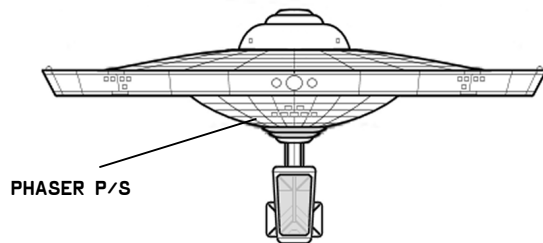
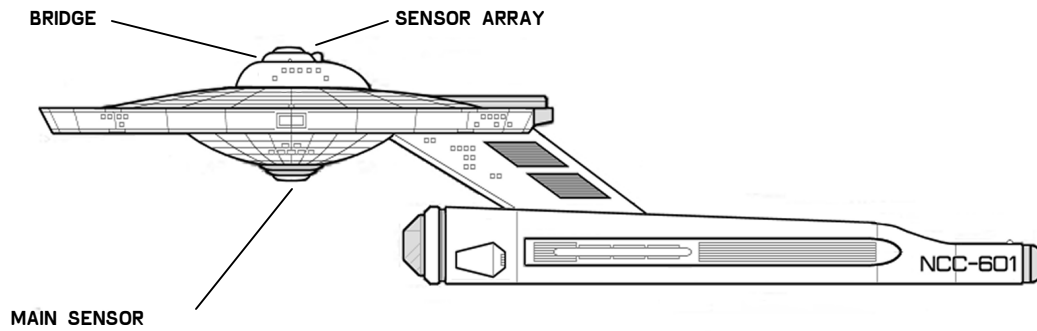
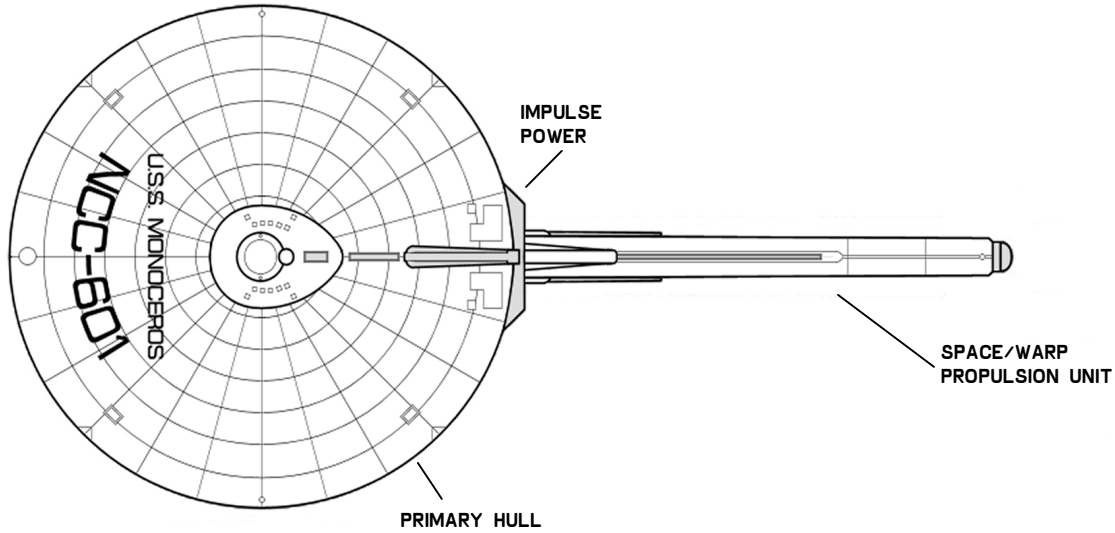
THE FOLLOWING SHIPS OF THE MK-VII CLASS WERE AUTHORIZED BY THE ORIGINAL ARTICLES OF FEDERATION OF STARDATE 0965:

AEOLUS	NCC-588	CARSON	NCC-592	QUINTILLUS	NCC-590
ANUBIS	NCC-586	CODY	NCC-594	REVERE	NCC-595
BATIDOR	NCC-593	CROCKETT	NCC-600	SACAJAWEA	NCC-598
BOWIE	NCC-597	DIANA	NCC-589	SPAKER	NCC-596
BRIDGER	NCC-591	HERMES	NCC-585*	TONTI	NCC-599

\*CLASS SHIP. \*\*LOST IN THE LINE OF DUTY. ALL NAMES PRECEDED WITH "U.S.S."

# CLASS I-A SCOUT

MONOCEROS CLASS STARSHIPS



**STD. SHIP'S COMPLEMENT:**

OFFICERS (COMMAND) 20  
 CREW (ENSIGN GRADE) 180

SEE BOOKLET OF GENERAL PLANS FOR DETAILS

**PARTICULARS:**

DEADWEIGHT TONNAGE	84,500MT
STD. RANGE	11 YEARS AT L.Y.V
MAX. SAFE CRUISING SPEED	W/F 8
EMERGENCY SPEED	W/F 9
MAIN PHASERS	1 BANKS / 2 EACH
PHOTON TORPEDOES	NONE
LENGTH OVERALL	254.7M
BREADTH OVERALL	127.1M
HEIGHT OVERALL	53.9M
PRIMARY HULL DIA.	127.1M
PROP. UNIT L.O.A.	160.7M
PROP. UNIT BREADTH.	14.6M

## STARFLEET TECHNICAL ORDER

AUTHENTICATED STARDATE 7304.15

TO 0104-22

**SCOUT CLASS**

AUTHORIZED CONSTRUCTION

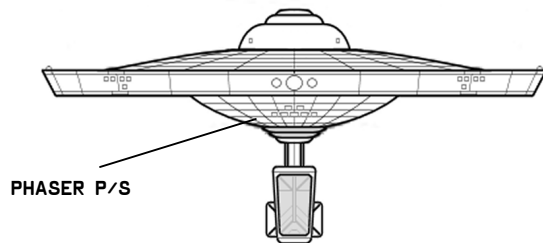
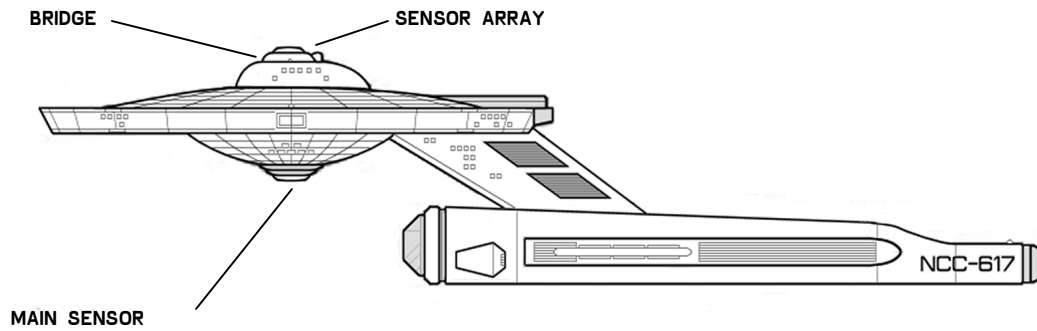
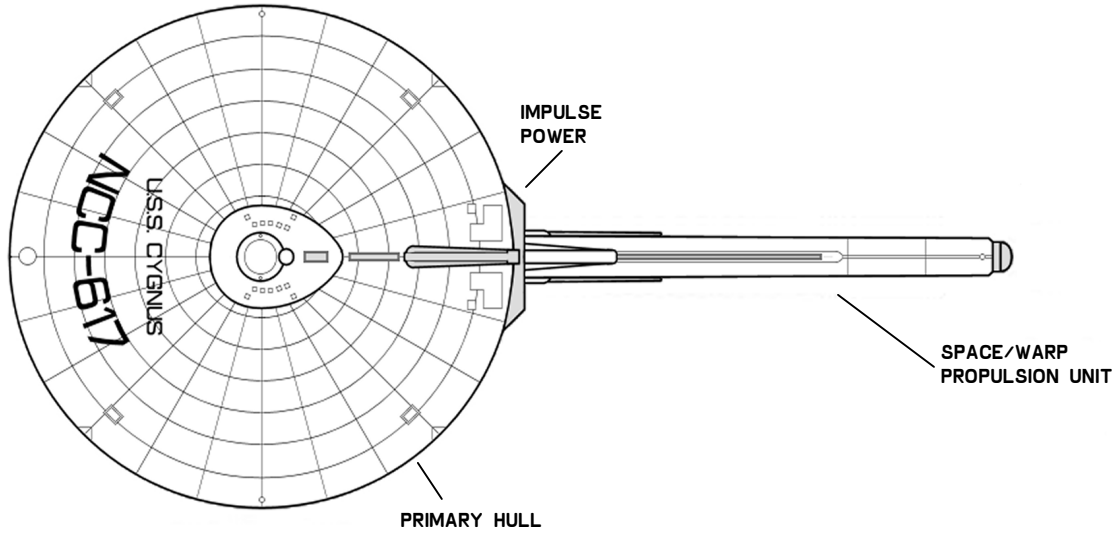
THE FOLLOWING SHIPS OF THE MK-VII CLASS WERE AUTHORIZED BY THE ORIGINAL ARTICLES OF FEDERATION OF STARDATE 0965:

AEOLUS	NCC-588	CARSON	NCC-592	QUINTILLUS	NCC-590
ANUBIS	NCC-586	CODY	NCC-594	REVERE	NCC-595
BATIDOR	NCC-593	CROCKETT	NCC-600	SACAJAWEA	NCC-598
BOWIE	NCC-597	DIANA	NCC-589	SPAKER	NCC-596
BRIDGER	NCC-591	HERMES	NCC-585*	TONTI	NCC-599

\*CLASS SHIP. \*\*LOST IN THE LINE OF DUTY. ALL NAMES PRECEDED WITH "U.S.S."

# CLASS I-B COURIER

CYGNUS CLASS STARSHIPS



**STD. SHIP'S COMPLEMENT:**

OFFICERS (COMMAND) 20  
 CREW (ENSIGN GRADE) 180

SEE BOOKLET OF GENERAL PLANS FOR DETAILS

**PARTICULARS:**

DEADWEIGHT TONNAGE	84,500MT
STD. RANGE	11 YEARS AT L.Y.V
MAX. SAFE CRUISING SPEED	W/F 8
EMERGENCY SPEED	W/F 9
MAIN PHASERS	1 BANKS / 2 EACH
PHOTON TORPEDOES	NONE
LENGTH OVERALL	254.7M
BREADTH OVERALL	127.1M
HEIGHT OVERALL	53.9M
PRIMARY HULL DIA.	127.1M
PROP. UNIT L.O.A.	160.7M
PROP. UNIT BREADTH.	14.6M

## STARFLEET TECHNICAL ORDER

AUTHENTICATED STARDATE 7304.15

TO 0104-24

**COURIER CLASS**

AUTHORIZED CONSTRUCTION

THE FOLLOWING SHIPS OF THE MK-VIII-B CLASS WERE AUTHORIZED BY THE STAR FLEET  
APPROPRIATION OF STARDATE 5099:

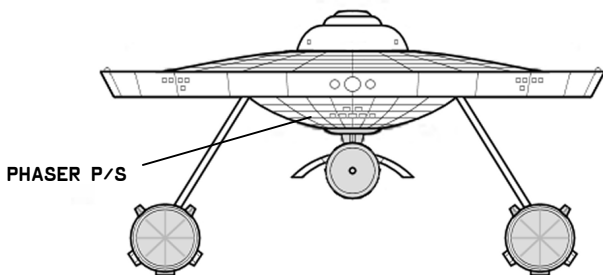
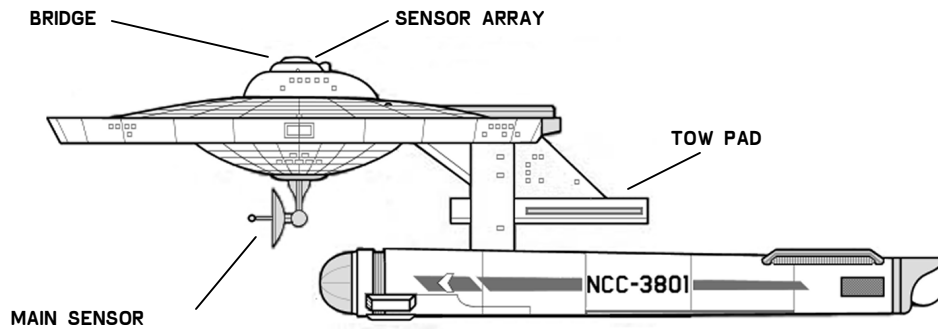
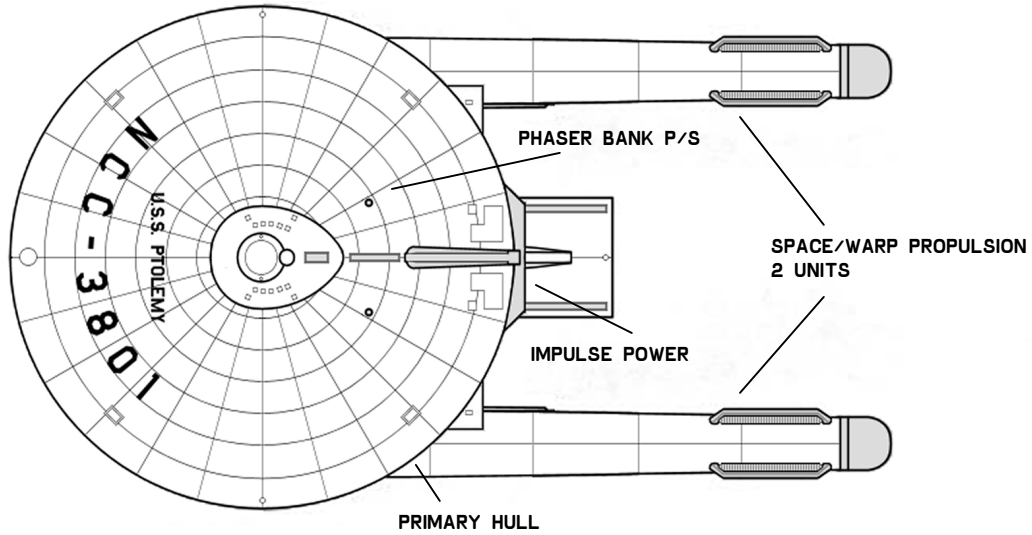
APUS	NCC-618	CORVYS	NCC-620	PAVO	NCC-622
AQUILA	NCC-623	CYGNUS	NCC-617*	PHOENIX	NCC-625
COLUMBIA	NCC-621	GRUS	NCC-624	TUCANA	NCC-619

\*CLASS SHIP. \*\*LOST IN THE LINE OF DUTY. ALL NAMES PRECEDED WITH "U.S.S."



# CLASS I TRANSPORT/TUG

PTOLEMY CLASS STARSHIPS



**STD. SHIP'S COMPLEMENT:**

OFFICERS (COMMAND) 22  
CREW (ENSIGN GRADE) 198

SEE BOOKLET OF GENERAL PLANS FOR DETAILS

**PARTICULARS:**

DEADWEIGHT TONNAGE	126,000MT
STD. RANGE	9 YEARS AT L.Y.V
MAX. SAFE CRUISING SPEED	W/F 6
EMERGENCY SPEED	W/F 8
MAIN PHASERS	2 BANKS / 2 EACH
PHOTON TORPEDOES	NONE
LENGTH OVERALL	222M
BREADTH OVERALL	127.1M
HEIGHT OVERALL	66M
PRIMARY HULL DIA.	127.1M
PROP. UNIT L.O.A.	153.6M
PROP. UNIT BREADTH.	17.3M

TO 0104-26

# TRANSPORT/TUG CLASS

AUTHORIZED CONSTRUCTION

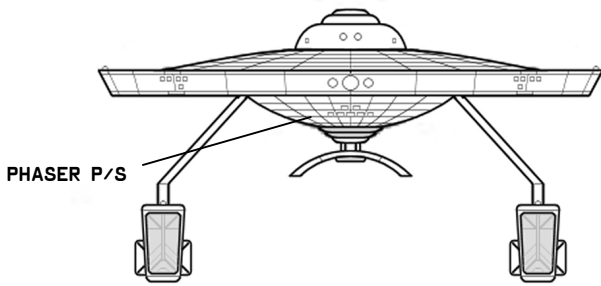
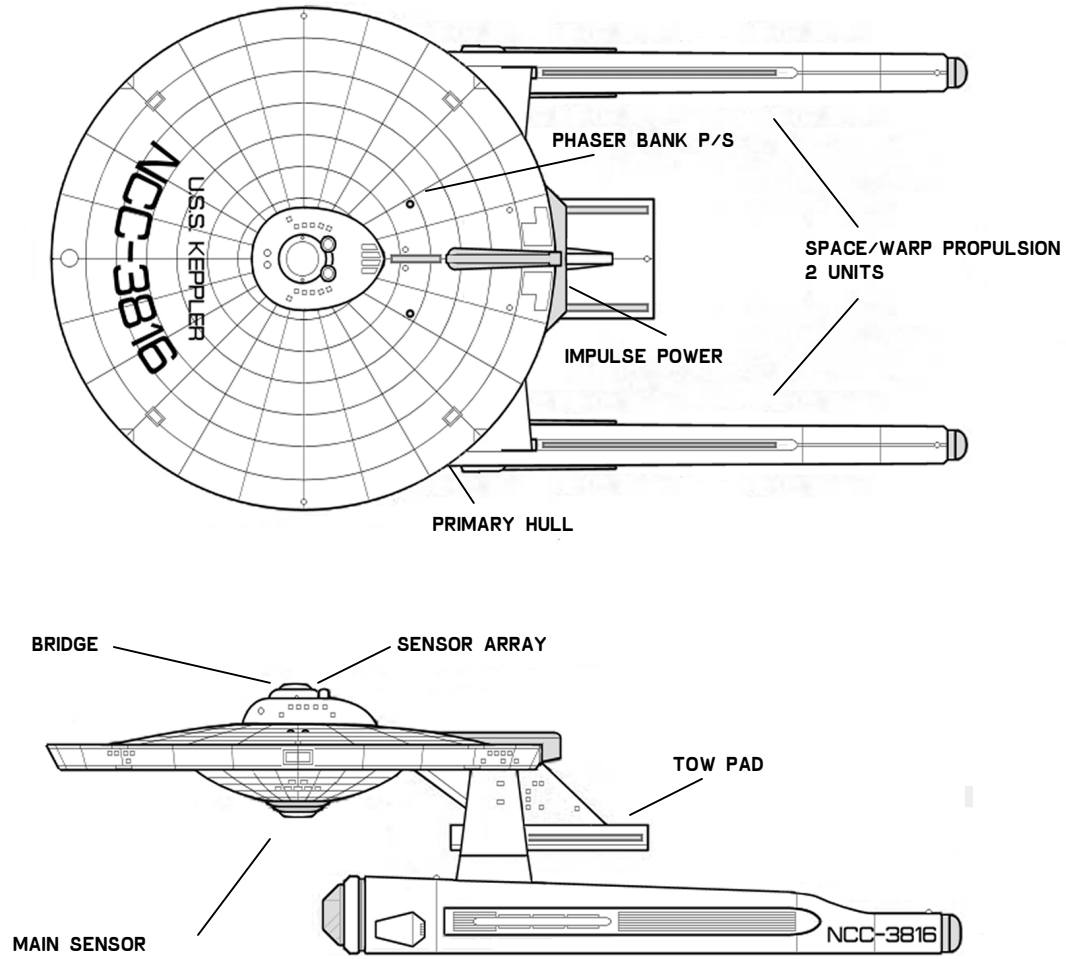
THE FOLLOWING SHIPS OF THE MK-VI CLASS WERE AUTHORIZED BY THE ORIGINAL ARTICLES OF FEDERATION OF STARDATE 0965:

AL RASHID	NCC-3802	ERATOSTHENES	NCC-3807	PHILOLAUS	NCC-3811
ANAXAGORAS	NCC-3803	GALILEI	NCC-3808	PTOLEMY	NCC-3801*
ANAXIMANDER	NCC-3804	HEVELIUS	NCC-3814	PYTHAGORAS	NCC-3812
ARISTARCHUS	NCC-3805	HIPPARCHUS	NCC-3809	THALES	NCC-3813
COPERNICUS	NCC-3815	IBN DAUD	NCC-3806	ULUGH BEG	NCC-3810

\*CLASS SHIP. \*\*LOST IN THE LINE OF DUTY. ALL NAMES PRECEDED WITH "U.S.S."

# CLASS I-A TRANSPORT/TUG

KEPLER CLASS STARSHIPS



**STD. SHIP'S COMPLEMENT:**

OFFICERS (COMMAND) 22  
CREW (ENSIGN GRADE) 198

SEE BOOKLET OF GENERAL PLANS FOR DETAILS

**PARTICULARS:**

DEADWEIGHT TONNAGE	III,000MT
STD. RANGE	II YEARS AT L.Y.V
MAX. SAFE CRUISING SPEED	W/F 7
EMERGENCY SPEED	W/F 9
MAIN PHASERS	2 BANKS / 2 EACH
PHOTON TORPEDOES	NONE
LENGTH OVERALL	222M
BREADTH OVERALL	127.1M
HEIGHT OVERALL	66M
PRIMARY HULL DIA.	127.1M
PROP. UNIT L.O.A.	160.7M
PROP. UNIT BREADTH.	14.6M

TO 0104-28

# TRANSPORT/TUG CLASS

AUTHORIZED CONSTRUCTION

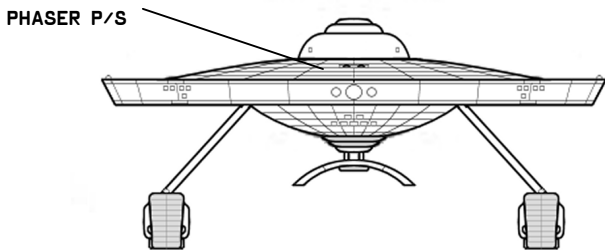
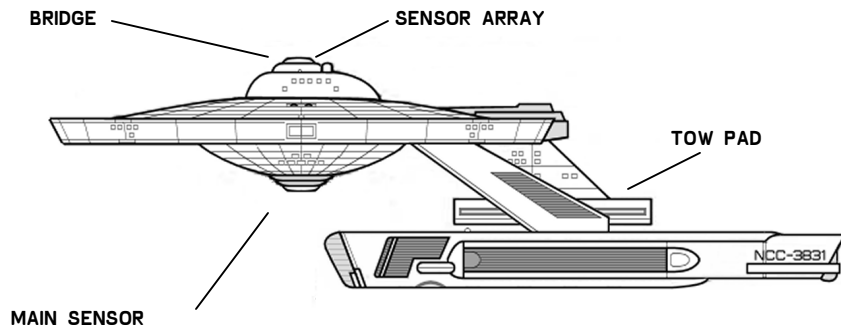
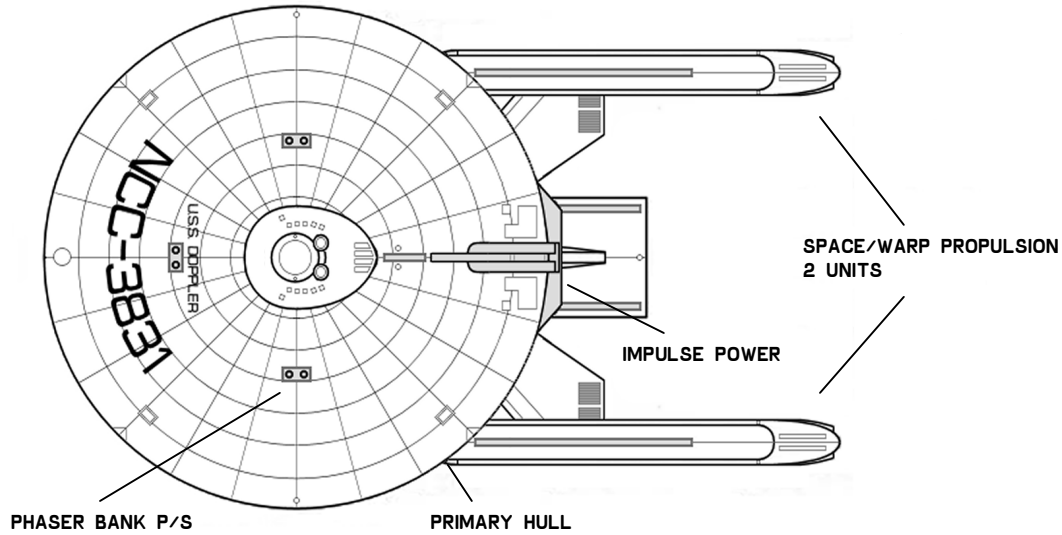
THE FOLLOWING SHIPS OF THE MK-VI-A CLASS WERE AUTHORIZED BY THE STAR FLEET  
APPROPRIATION OF STARDATE 3220:

AMBARTSUMIAN	NCC-3817	FLAMARION	NCC-3818	LUYTEN	NCC-3829
BRAHE	NCC-3821	KEPPLER	NCC-3816*	NEWTON	NCC-3822
CASSINI	NCC-3824	KIDINNU	NCC-3826	PIAZZI	NCC-3827
DESLANDRES	NCC-3820	LEVERRIER	NCC-3828	RICCIOLI	NCC-3823
DONATI	NCC-3825	MESSIER	NCC-3830	SCHIAPARELLI	NCC-3819

\*CLASS SHIP. \*\*LOST IN THE LINE OF DUTY. ALL NAMES PRECEDED WITH "U.S.S."

# CLASS I-B TRANSPORT/TUG

DOPPLER CLASS STARSHIPS



**STD. SHIP'S COMPLEMENT:**

OFFICERS (COMMAND) 22  
 CREW (ENSIGN GRADE) 198

SEE BOOKLET OF GENERAL PLANS FOR DETAILS

**PARTICULARS:**

DEADWEIGHT TONNAGE	99,000MT
STD. RANGE	12 YEARS AT L.Y.V
MAX. SAFE CRUISING SPEED	W/F 8
EMERGENCY SPEED	W/F 9
MAIN PHASERS	3 BANKS / 2 EACH
PHOTON TORPEDOES	NONE
LENGTH OVERALL	220.4M
BREADTH OVERALL	127.1M
HEIGHT OVERALL	58.5M
PRIMARY HULL DIA.	127.1M
PROP. UNIT L.O.A.	131.0M
PROP. UNIT BREADTH.	12.2M

TO 0104-30

**TRANSPORT/TUG CLASS**

AUTHORIZED CONSTRUCTION

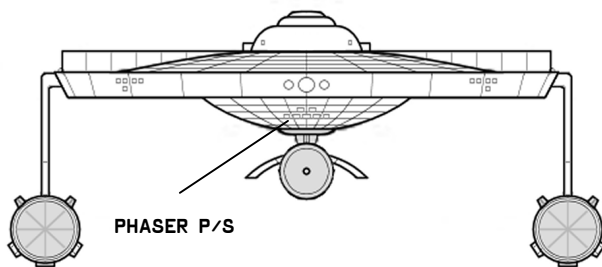
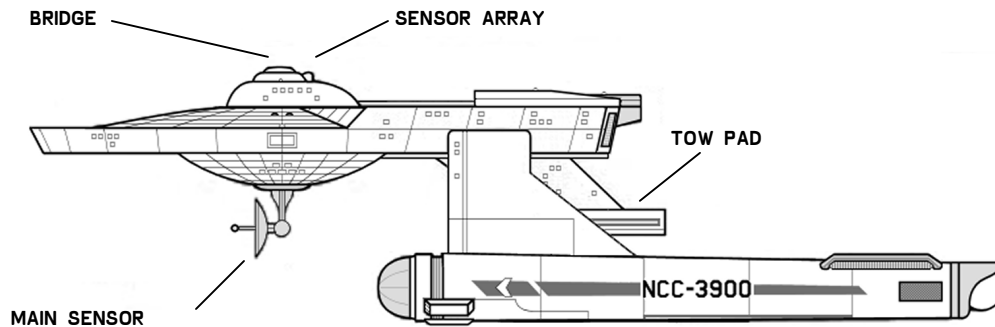
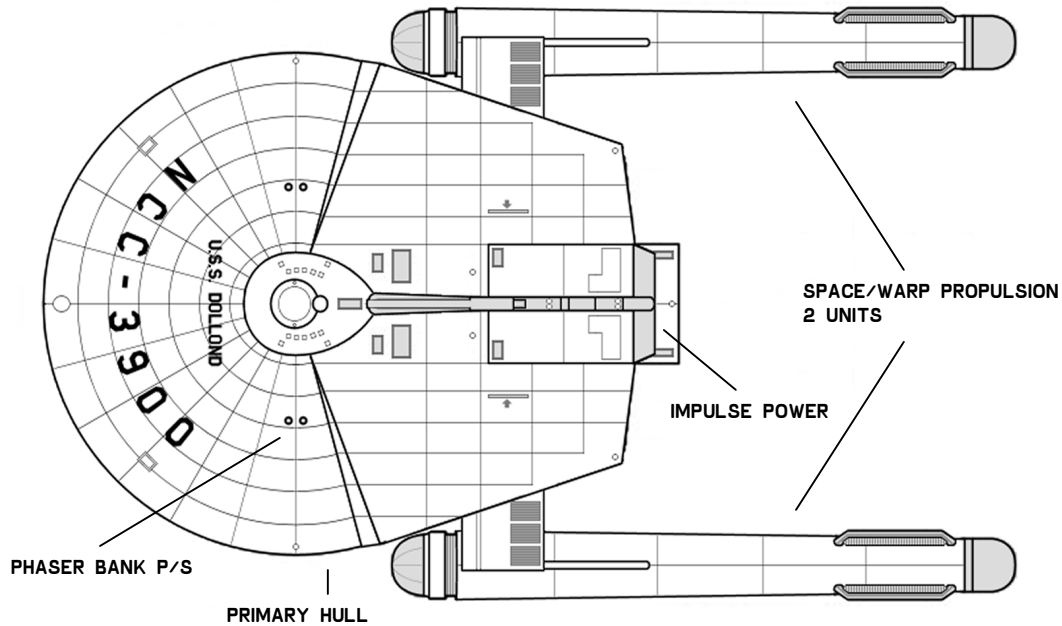
THE FOLLOWING SHIPS OF THE MK-VI-B CLASS WERE AUTHORIZED BY THE STAR FLEET APPROPRIATION OF STARDATE 4990:

AIRY	NCC-3842	HALLEY	NCC-3833	PICKERING	NCC-3864
APIAN	NCC-3896	HAYASHI	NCC-3887	POPPER	NCC-3878
BAADE	NCC-3855	HENCKE	NCC-3847	PRITCHETT	NCC-3838
BAYER	NCC-3869	HERSCHELL	NCC-3860	REBER	NCC-3892
BIELA	NCC-3884	HIRAYAMA	NCC-3874	RITTENHOUSE	NCC-3851
BONDI	NCC-3843	HOLDEN	NCC-3834	ROSS	NCC-3865
BROUWER	NCC-3897	HUBBARD	NCC-3888	RUSSEL	NCC-3879
CAMPELL	NCC-3856	HUBBLE	NCC-3848	SABINE	NCC-3879
CARRINGTON	NCC-3870	HUMANSON	NCC-3861	SAVARY	NCC-3839
CHAMBERLAIN	NCC-3883	JANSKY	NCC-3875	SCHEINER	NCC-3893
CAHUVENET	NCC-3844	JEFFREY	NCC-3835	SCHMIDT	NCC-3880
CLARK	NCC-3898	KAULA	NCC-3889	SECCHI	NCC-3852
COLUMBO	NCC-3857	KLEPSTRA	NCC-3862	SHKLOVSKY	NCC-3866
DOLLFUS	NCC-3885	KRUGER	NCC-3871	STRUVE	NCC-3840
DOPPLER	NCC-3831*	KUIPER	NCC-3836	SWIFT	NCC-3894
DREYER	NCC-3899	LAPLACE	NCC-3876	TOMBAUGH	NCC-3853
EDDINGTON	NCC-3845	LEAVITT	NCC-3849	TOSCANELLI	NCC-3867
ENCKE	NCC-3859	LOCKYER	NCC-3890	VAN DE KAMP	NCC-3881
FRACASTOR	NCC-3872	MITCHELL	NCC-3863	VOGEL	NCC-3841
GAILLOT	NCC-3832	NEWCOMB	NCC-3877	VON ZACH	NCC-3882
GALLE	NCC-3886	OORT	NCC-3837	WALKER	NCC-3895
GATIER	NCC-3846	PALITZSCH	NCC-3891	WOLASTON	NCC-3854
GOLDRICKE	NCC-3859	PEALE	NCC-3850	WRIGHT	NCC-3868
HALE	NCC-3873				

\*CLASS SHIP. \*\*LOST IN THE LINE OF DUTY. ALL NAMES PRECEDED WITH "U.S.S."

# CLASS I-C HEAVY TRANSPORT/TUG

DOLLOND CLASS STARSHIPS



**PARTICULARS:**

DEADWEIGHT TONNAGE	163,000MT
STD. RANGE	10 YEARS AT L.Y.V
MAX. SAFE CRUISING SPEED	W/F 6
EMERGENCY SPEED	W/F 8
MAIN PHASERS	3 BANKS / 2 EACH
PHOTON TORPEDOES	2 BANKS
LENGTH OVERALL	235.1M
BREADTH OVERALL	159.6M
HEIGHT OVERALL	93.7
PRIMARY HULL DIA.	127.1M
PROP. UNIT L.O.A.	160.7M
PROP. UNIT BREADTH.	14.6M

**STD. SHIP'S COMPLEMENT:**

OFFICERS (COMMAND)	20
CREW (ENSIGN GRADE)	180

SEE BOOKLET OF GENERAL PLANS FOR DETAILS

TO 0104-32

**HEAVY TRANSPORT/TUG CLASS**

AUTHORIZED CONSTRUCTION

THE FOLLOWING SHIPS OF THE MK-VI-C CLASS WERE AUTHORIZED BY THE STAR FLEET APPROPRIATION OF STARDATE 4990:

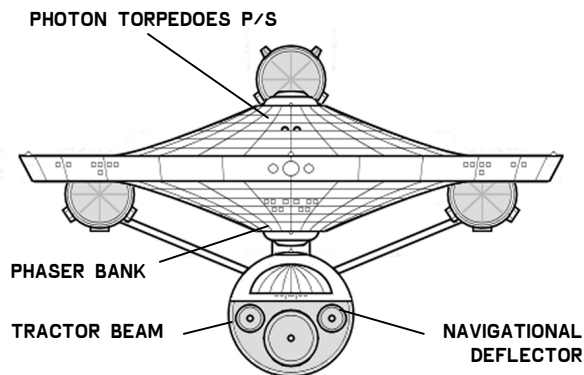
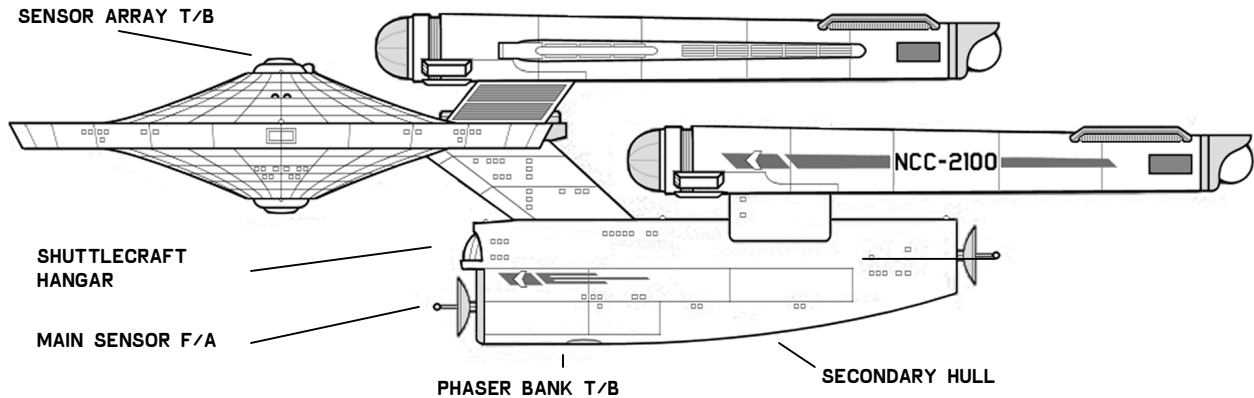
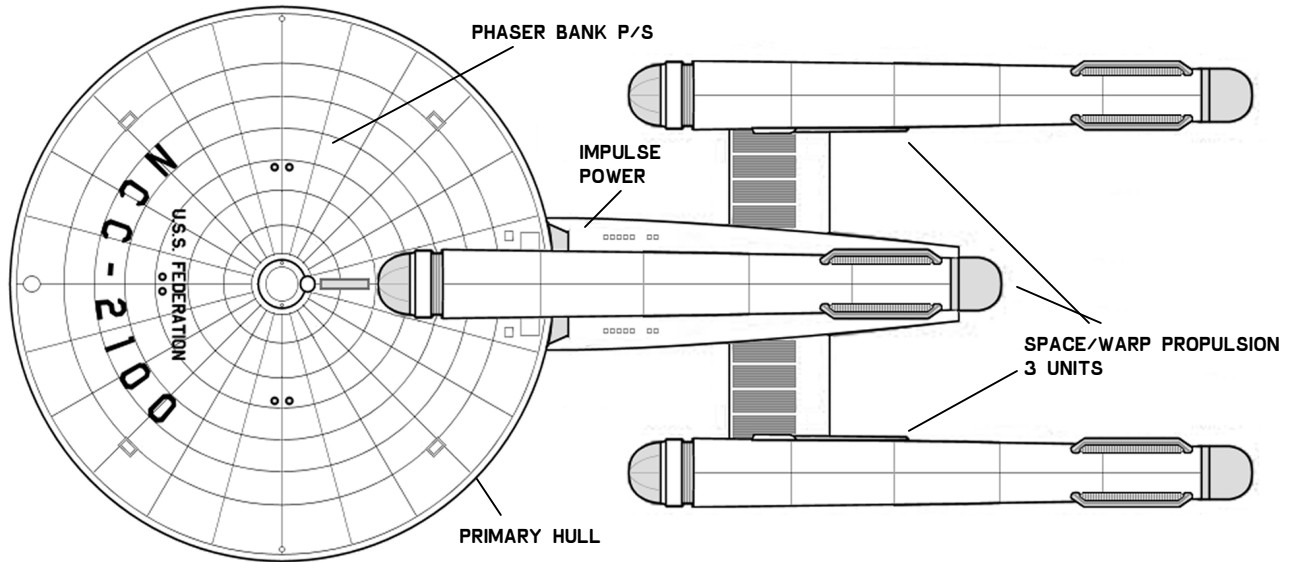
ADAMS	NCC-3925	HALL	NCC-3926	POGSON	NCC-3906
BAUM	NCC-3935	HENDERSON	NCC-3914	PLASKETT	NCC-3918
BESSEL	NCC-3911	HERTZSPRUNG	NCC-3902	ROQUES	NCC-3932
BODE	NCC-3922	HOYLE	NCC-3928	RUSSEL	NCC-3907
CARPENTER	NCC-3936	HUGGINS	NCC-3915	SANDAGE	NCC-3919
CHALLIS	NCC-3912	IRWIN	NCC-3903	SHAPLEY	NCC-3933
CHANDRASEKHER	NCC-3923	JEANS	NCC-3929	SLIPHER	NCC-3908
DELAMBRE	NCC-3937	KOHLSHUTTER	NCC-3904	SCHAWBE	NCC-3920
DOLLOND	NCC-3900*	LAGRANGE	NCC-3916	TODD	NCC-3934
EICHELBERGER	NCC-3924	LANGLEY	NCC-3930	VAN DE HULST	NCC-3909
FLAMSTEED	NCC-3913	LOWELL	NCC-3939	VAN MAANEN	NCC-3940
FROST	NCC-3938	MOULTON	NCC-3905	WOLF	NCC-3921
GOLD	NCC-3927	OLBERS	NCC-3917	YOUNG	NCC-3910
GOLDREICH	NCC-3901	PIERCE	NCC-3931		

\*CLASS SHIP. \*\*LOST IN THE LINE OF DUTY. ALL NAMES PRECEDED WITH "U.S.S."



# CLASS I DREADNOUGHT

FEDERATION CLASS STARSHIPS



**PARTICULARS:**

DEADWEIGHT TONNAGE	285,000MT
STD. RANGE	20 YEARS AT L.Y.V
MAX. SAFE CRUISING SPEED	W/F 8
EMERGENCY SPEED	W/F 10
MAIN PHASERS	5 BANKS / 2 EACH
PHOTON TORPEDOES	2 BANKS
LENGTH OVERALL	320M
BREADTH OVERALL	140IM
HEIGHT OVERALL	87M
PRIMARY HULL DIA.	140IM
SEC. HULL LENGTH	122M
SEC. HULL MAX. DIA.	30M
PROP. UNIT L.O.A.	153.6M
PROP. UNIT DIA.	17.3M

**STD. SHIP'S COMPLEMENT:**

OFFICERS (COMMAND)	55
CREW (ENSIGN GRADE)	445

SEE BOOKLET OF GENERAL PLANS FOR DETAILS

## STARFLEET TECHNICAL ORDER

AUTHENTICATED STARDATE 7304.15

TO 0104-34

**DREADNOUGHT CLASS**

AUTHORIZED CONSTRUCTION

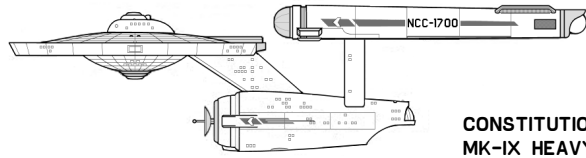
THE FOLLOWING SHIPS OF THE MK-X CLASS WERE AUTHORIZED BY THE STAR FLEET APPROPRIATION OF STARDATE 6066:

AFFILIATION	NCC-2108	CORPORATION	NCC-2104	STAR EMPIRE	NCC-2116
ALLIANCE	NCC-2113	DIRECTORATE	NCC-2110	STAR LEAGUE	NCC-2101
ASSOCIATION	NCC-2118	DOMINION	NCC-2115	STAR SYSTEM	NCC-2107
COMPACTAT	NCC-2103	ENTENTE	NCC-2120	STAR UNION	NCC-2112
CONCORDAT	NCC-2109	FEDERATION	NCC-2100*	TRUSTEESHIP	NCC-2117
CONFEDERATION	NCC-2114	KONKORDIUM	NCC-2106	UNIFICATUM	NCC-2102
CONSORTIUM	NCC-2119	ORGANIZATION	NCC-2111		

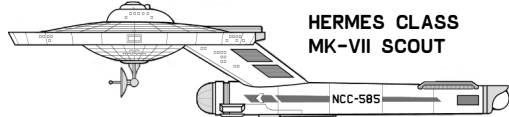
\*CLASS SHIP. \*\*LOST IN THE LINE OF DUTY. ALL NAMES PRECEDED WITH "U.S.S."

# STARSHIP RECOGNITION CHART

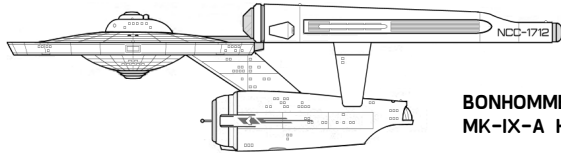
CLASS I STARSHIPS—PORT-SIDE VIEW



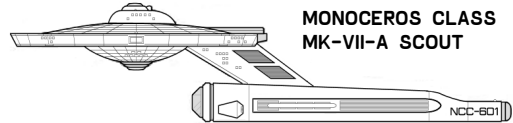
**CONSTITUTION CLASS  
MK-IX HEAVY CRUISER**



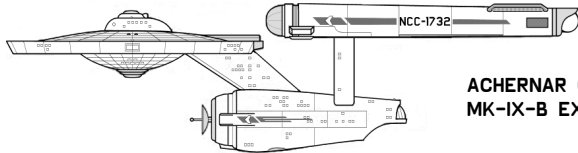
**HERMES CLASS  
MK-VII SCOUT**



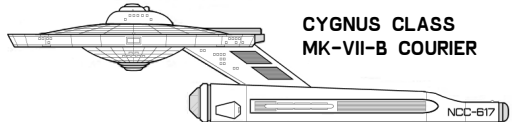
**BONHOMME RICHARD CLASS  
MK-IX-A HEAVY CRUISER**



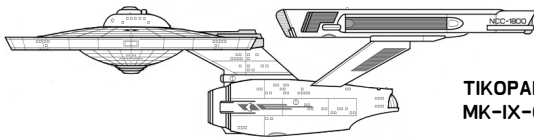
**MONOCEROS CLASS  
MK-VII-A SCOUT**



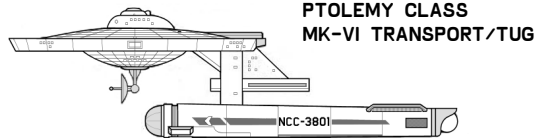
**ACHERNAR CLASS  
MK-IX-B EXP. CRUISER**



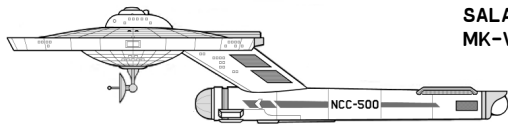
**CYGNUS CLASS  
MK-VII-B COURIER**



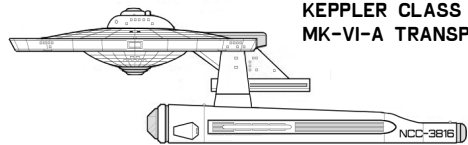
**TIKOPAI CLASS  
MK-IX-C EXP. CRUISER**



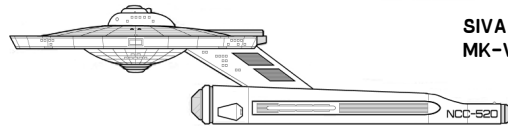
**PTOLEMY CLASS  
MK-VI TRANSPORT/TUG**



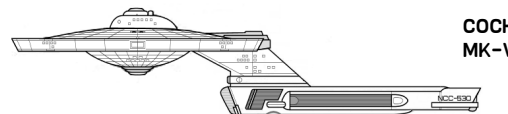
**SALADIN CLASS  
MK-VIII DESTROYER**



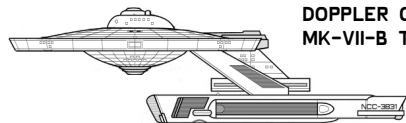
**KEPLER CLASS  
MK-VI-A TRANSPORT/TUG**



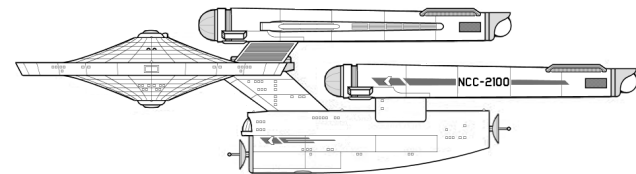
**SIVA CLASS  
MK-VIII-A DESTROYER**



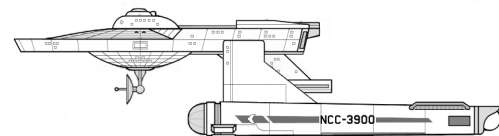
**COCHISE CLASS  
MK-VIII-B DESTROYER**



**DOPPLER CLASS  
MK-VII-B TRANSPORT/TUG**



**FEDERATION CLASS  
MK-X DREADNOUGHT**



**DOLLOND CLASS  
MK-VII-C HVY. TRANS./TUG**

ALL DRAWINGS IN COMMON SCALE. REFER TO EACH SUBSECTION FOR DETAILS

TM:379260-2