



Riftwar Genealogy

by

Greg Carlill

Table of Contents

Copyright	3
Introduction.....	4
Descendant Tree of A Unknown conDoin Ancestor	5
Family Group Sheet of Borric conDoin.....	10
Family Group Sheet of Lyam conDoin.....	11
Family Group Sheet of Arutha conDoin	12
Kinship Report of Borric conDoin.....	13
All Individuals Report	15
Sources.....	20
Index	24

Copyright Information

The information in this document has been collected from the works of Raymond E Feist. Ray is the author of the Riftwar and Serpentwar Sagas, Faerie Tale and with Janny Wurts he co-wrote the Empire trilogy.

Portions of the material contained on these pages is copyrighted and trademarked by the Bitter Sea Company and Midkemia Press. Used by permission. Reproduction or retransmission of this material without the express written permission of Bitter Sea Company and Midkemia Press is expressly denied.

**For further information about the Genealogy contained in this document contact Greg Carlill or visit the Riftwar Genealogies web page at:-
<http://www.home.st.net.au/~carlill/riftwar>**

Introduction

Just a quick note to say these pages have heaps of spoilers in them so continue at your own expense. I won't tell you what happens but you could inadvertently see when your favourite character dies.

While reading *Shards of a Broken Crown* I was getting very confused with all the characters and how they were related. So I combined my hobby of family history with my interest in the Riftwar saga. I've been doing this genealogy for about 2 years but still have heaps to add. At the moment these Genealogies are limited to the conDoin, Jameson, von Darkmoor families and some of the Elves.

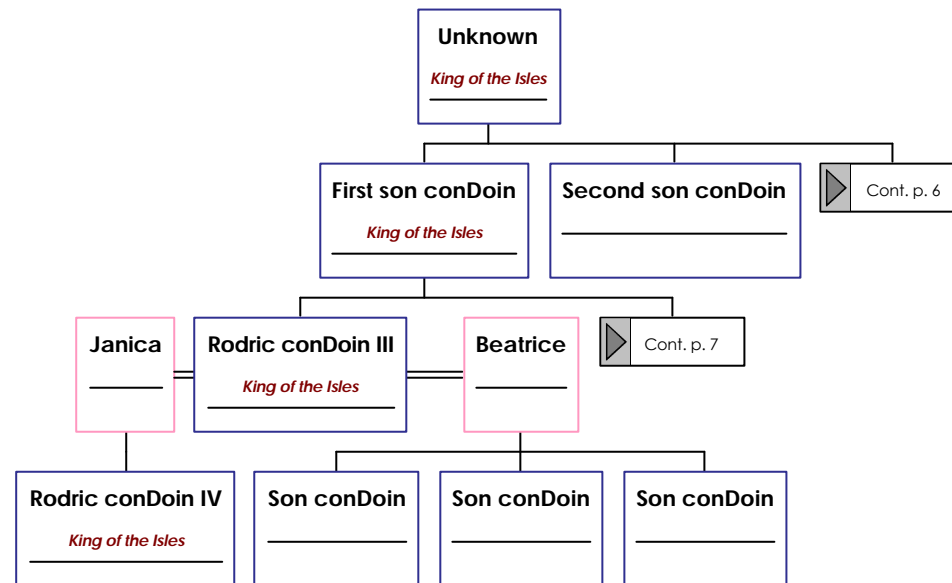
One thing that doesn't convert from my family tree program is that I show Pug as the Adopted son of Borric. Also he is shown as Megar's Foster son, but this doesn't show in the report as well.

Some might ask why and how I can assign a year to any given event when there isn't any reference to a year in any of the books. The assigning of a date is only to give an idea of how long a particular character lives and it also means you can describe what they have done at different parts of their life. Please don't read anything else into these dates. For ease of calculation I started with Magician being set in the year 1000, hence Pug was born 987. A lot of the dates came from Canaan Machida's Timeline Page.

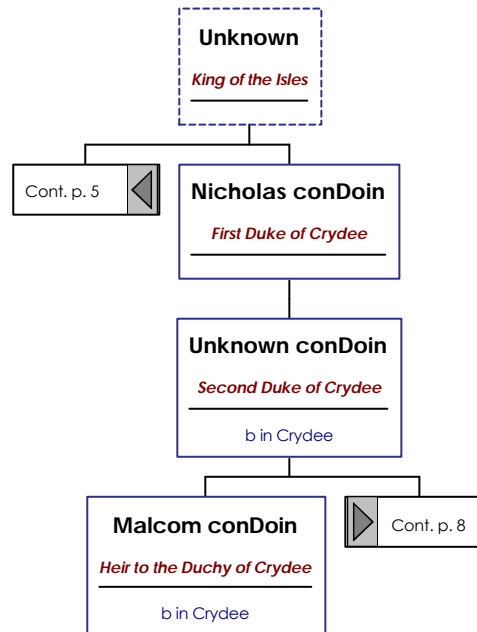
Finally all mistakes or errors must be mine because Ray is the ultimate source of information on the people and places contained here.

Note: Each time a duplicated individual is listed, it will have a bracketed number next to it, such as [1]. This makes it easier to identify the duplicated individual. If there are several individuals duplicated the first one will be assigned [1], the second one will be assigned [2] and so on.

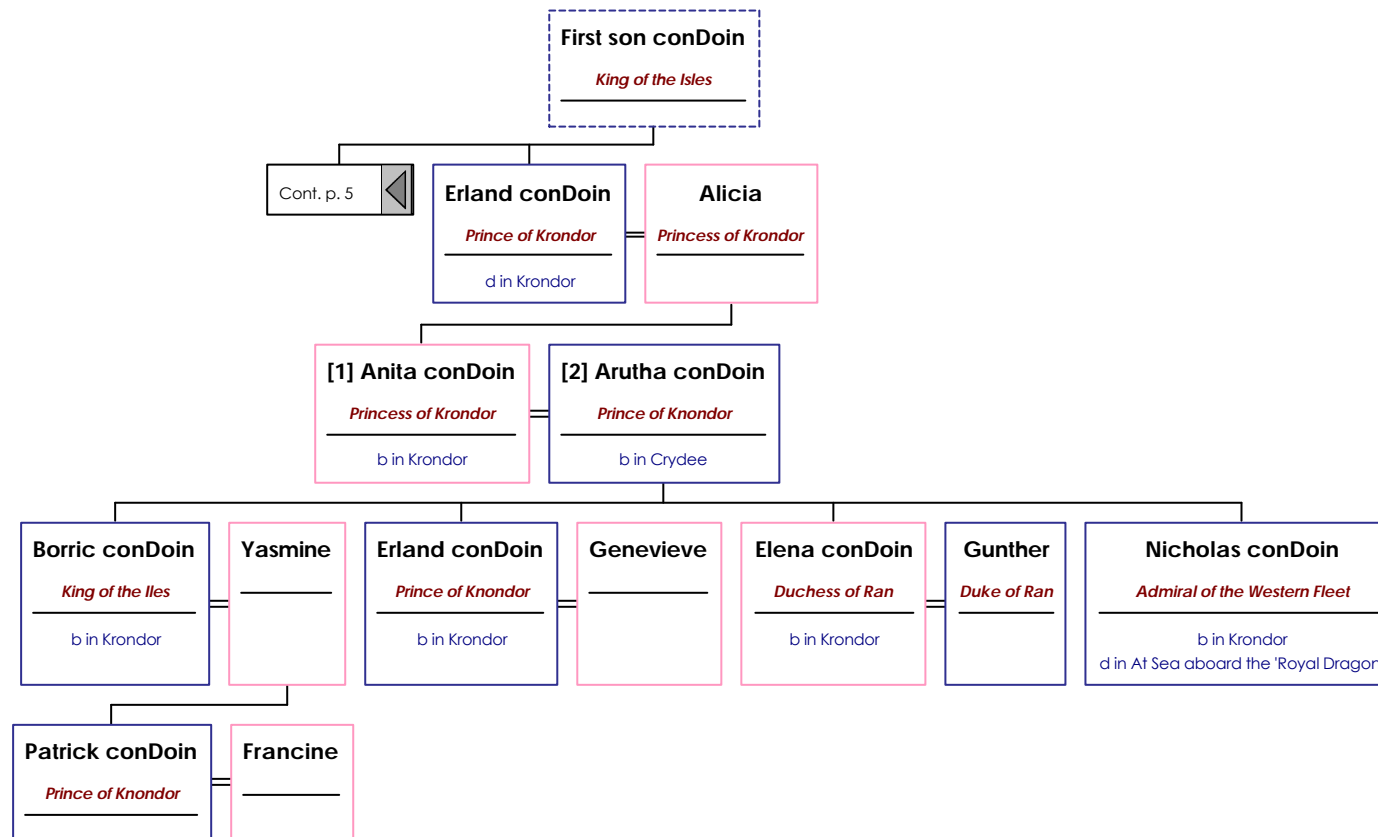
Descendants of the conDoin Family



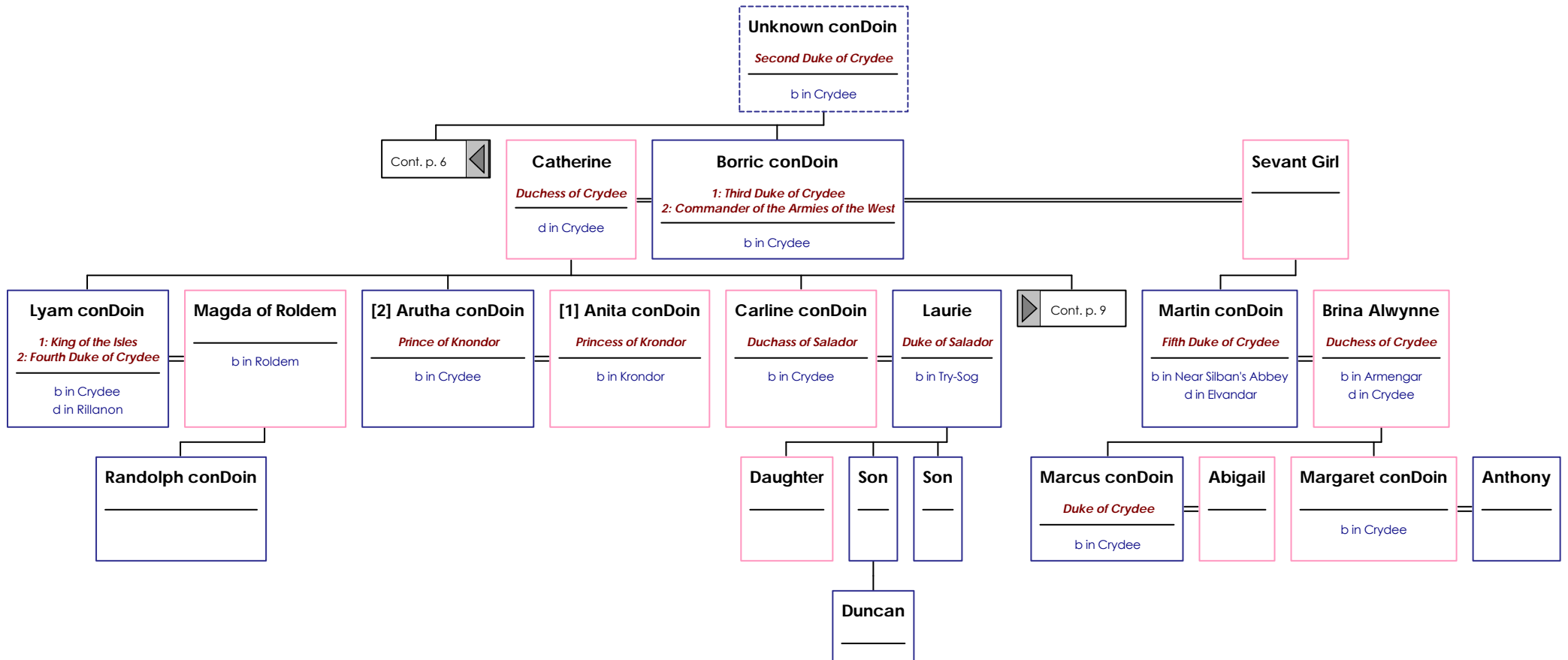
Descendants of the conDoin Family



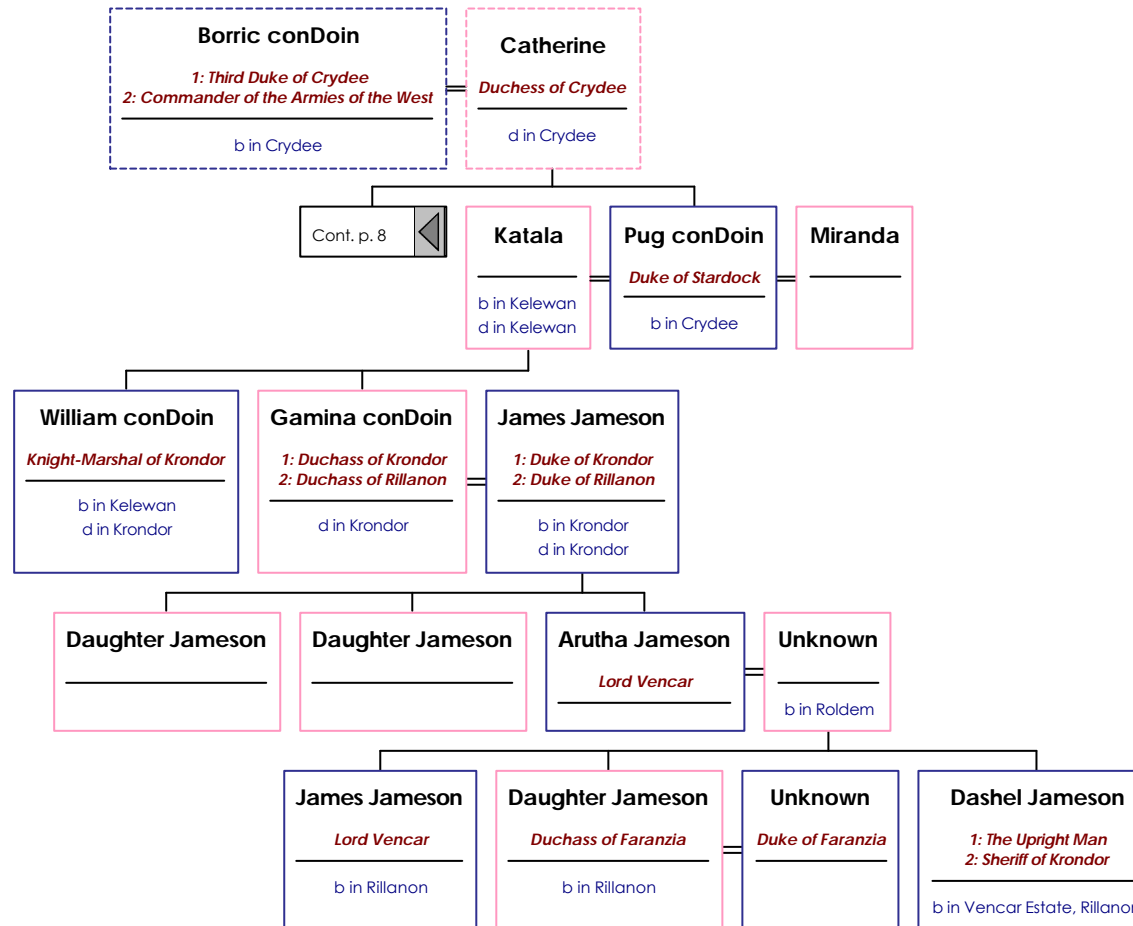
Descendants of the conDoin Family



Descendants of the conDoin Family



Descendants of the conDoin Family



Husband: Borric conDoin

Born: 953 in: Crydee
 Died: 1012
 Father: Unknown conDoin
 Other Spouses: Servant Girl

Wife: Catherine

Died: 993 in: Crydee
 Father: Father of Catherine
 Mother: Mother of Catherine

CHILDREN

1 M	Name: Lyam conDoin Born: 981 in: Crydee Died: 1065 in: Rillanon Spouse: Magda of Roldem
2 M	Name: Arutha conDoin Born: 983 in: Crydee Married: 1013 in: Krondor Spouse: Anita conDoin
3 F	Name: Carline conDoin Born: 987 in: Crydee Spouse: Laurie
4 M	Name: Pug conDoin Born: 987 in: Crydee Spouses: Katala, Miranda

Husband: Lyam conDoin

Born: 981 in: Crydee
 Died: 1065 in: Rillanon
 Father: Borric conDoin
 Mother: Catherine

Wife: Magda of Roldem

in: Roldem

CHILDREN

1 M	Name: Randolph conDoin
--------	------------------------

Husband: Arutha conDoin

Born: 983 in: Crydee
 Married: 1013 in: Krondor
 Father: Borric conDoin
 Mother: Catherine

Wife: Anita conDoin

Born: 993 in: Krondor
 Father: Erland conDoin
 Mother: Alicia

CHILDREN

1 M	Name: Borric conDoin Born: 1014 in: Krondor Spouse: Yasmine
2 M	Name: Erland conDoin Born: 1014 in: Krondor Spouse: Genevieve
3 F	Name: Elena conDoin Born: 1018 in: Krondor Spouse: Gunther
4 M	Name: Nicholas conDoin Born: 1026 in: Krondor Died: 1070 in: At Sea aboard the 'Royal Dragon'

Kinship of Borric conDoin

Name	Birth date	Relationship with Borric conDoin
Abigail	1027	Wife of the grandson
Alicia	973	Wife of the 1st cousin once removed
Alwynne, Brina	986	Daughter-in-law
Anthony	1014	Husband of the granddaughter
Beatrice		Wife of the 1st cousin once removed
Caldric		Uncle of the wife
Catherine		Wife
Catherine, Father of		Father-in-law
Catherine, Mother of		Mother-in-law
conDoin, Anita	993	2nd cousin Daughter-in-law
conDoin, Arutha	983	Son Husband of the 2nd cousin
conDoin, Borric	953	Self
conDoin, Borric	1014	Grandson 2nd cousin once removed
conDoin, Carline	987	Daughter
conDoin, Elena	1018	Granddaughter 2nd cousin once removed
conDoin, Erland	968	1st cousin once removed
conDoin, Erland	1014	Grandson 2nd cousin once removed
conDoin, First son		Granduncle
conDoin, Lyam	981	Son
conDoin, Malcom		Brother
conDoin, Marcus	1024	Grandson
conDoin, Margaret	1028	Granddaughter
conDoin, Martin	975	Son
conDoin, Nicholas		Grandfather
conDoin, Nicholas	1026	Grandson 2nd cousin once removed
conDoin, Patrick	1043	Great-grandson 2nd cousin twice removed
conDoin, Randolph		Grandson
conDoin, Rodric III		1st cousin once removed
conDoin, Rodric IV		2nd cousin
conDoin, Second son		Granduncle
conDoin, Son		2nd cousin
conDoin, Son		2nd cousin
conDoin, Son		2nd cousin
conDoin, Unknown		Father
Daughter		Granddaughter
Duncan		Great-grandson
Francine		Wife of the great-grandson Wife of the 2nd cousin twice removed
Genevieve		Wife of the grandson Wife of the 2nd cousin once removed
Girl, Sevant		Wife
Gunther		Husband of the granddaughter Husband of the 2nd cousin once removed
Janica		Wife of the 1st cousin once removed
Laurie	977	Son-in-law
Roldem, Magda of		Daughter-in-law
Son		Grandson

Name	Birth date	Relationship with Borric conDoin
Son		Grandson
Unknown		Great-grandfather
Yasmine		Wife of the grandson
		Wife of the 2nd cousin once removed

All Individuals Report

Name	Title (Facts Pg) cmt/loc	Occupation cmt/loc
Abigail		
Abigail Avery		
Aglaranna	Queen of Elvandar	
Aidan	King of Elvandar	
Alicia	Princess of Krondor	
Amos Trask	1: Admiral of the Western Fleet 2: Captain Trenchard the pirate	
Anita conDoin	Princess of Krondor	
Anthony		Magican
Arutha conDoin	Prince of Knondor	
Arutha Jameson	Lord Vencar	
Ayaki		
Beatrice		
Betsy Graves		
Borric conDoin	1: Third Duke of Crydee 2: Commander of the Armies of the West	
Borric conDoin	King of the Iles	
Brina Alwynne	Duchess of Crydee	
Bucal of Yaboon	Duke of Yaboon	
Buntokapi of the Anasati		
Caldric	1: Lord of Rillanon 2: Knight-General of the King's Royal Houshold Guard 3: Royal Chancellor	
Calin	Heir to the Throne of Elvandar	
Calis	Captain of the Crimson Eagles	
Carline conDoin	Duchass of Salador	
Catherine	Duchess of Crydee	
Dashel Jameson	1: The Upright Man 2: Sheriff of Krondor	Leader of the Mockers
Daughter		
Daughter Jameson	Duchass of Faranzia	

Name	Title (Facts Pg) cmt/loc	Occupation cmt/loc
Daughter Jameson Daughter Jameson Dolgan	1: Warleader of the Grey Towers Dwarves 2: Cheif of the village Caldara	
Donald Rigger Duncan Duncan Avery Elena conDoin Eric von Darkmoor	Duchess of Ran	1: Captain of the Crimson Eagles 2: Apprentice Blacksmith
Erland conDoin Erland conDoin Eva Father of Catherine Felinah of Yaboon First son conDoin Francine Frederick Jacoby Freida Gamina conDoin	Prince of Knondor Prince of Krondor King of the Isles 1: Duchass of Krondor 2: Duchass of Rillanon	
Genevieve Gerd von Darkmoor Gunther Gurtman Alwynne Guy du Bas-Tyra	Heir to the Barony of Darkmoor Duke of Ran 1: Protector of Armengar 2: Duke of Bas-Tyra 3: Duke of Rillanon Protector of Armengar	
Gwynnath Helen Jacoby Helmut Avery Helmut Grindle		Merchant in Krondor

Name	Title (Facts Pg) cmt/loc	Occupation cmt/loc
Hokanu of the Shinzawai Ichindar James Jameson	Lord of the Shinzawai Ninety One Times Emperor of the Tsurani 1: Duke of Krondor 2: Duke of Rillanon	
James Jameson Janica Jehilia	Lord Vencar	
Jiro of the Anasati Justin	Lord of the Anasati Ninety Two Times Emperor of the Tsurani	
Kamatsu of the Shinzawai Karli Grindle Kasuma	Lord of the Shinzawai	
Kasumi of the Shinzawai Katala Katherine Graves Kevin	Earl of La Mut 1: Baron of the Royal Court 2: Ambassador to Kelewan from Midkemia	
Kulgan Lady Clovis Laurie Lyam conDoin	Magician to the Duke of Crydee Duke of Salador 1: King of the Isles 2: Fourth Duke of Crydee	
Lysle Rigger Macros Magda of Roldem Magya		Leader of the Mockers Cook at Crydee Castle
Malcom conDoin Manfred von Darkmoor Mara of the Acoma	Heir to the Duchy of Crydee Baron of Darkmoor 1: Lady of the Acoma 2: Mistress of the Empire 3: Servant of the Empire	
Marcus conDoin	Duke of Crydee	

Name	Title (Facts Pg) cmt/loc	Occupation cmt/loc
Margaret conDoin		
Martin conDoin	Fifth Duke of Crydee	Huntmaster to the Duke of Crydee
Mathilada	Baroness of Darkmoor	
Megar		Cook at Crydee Castle
Milo		Innkeeper at Inn of the Pinetail in Ravensburg
Miranda		
Mother of Catherine		
Nakor		
Nathan		Blacksmith at Inn of the Pintail in Ravensburg
Nicholas conDoin	First Duke of Crydee	
Nicholas conDoin	Admiral of the Western Fleet	
Otto von Darkmoor	Baron of Darkmoor	
Patrick conDoin	Prince of Knondor	
Pug conDoin	Duke of Stardock	1: Magican to the King of the Isles 2: Apprentice Magician 3: Magican of the Assembly
Randolph conDoin		
Randolph Jacoby		
Rodric conDoin III	King of the Isles	
Rodric conDoin IV	King of the Isles	
Rosalyn		
Rudolph		Baker in Ravensburg
Rupert Avery		Merchant in Krondor
Second son conDoin		
Sevant Girl		
Sharmia		
Son		
Son		
Son conDoin		
Son conDoin		
Son conDoin		
Stefan von Darkmoor	Baron of Darkmoor	

Name	Title (Facts Pg) cmt/loc	Occupation cmt/loc
Thomas Megarson	Warleader of Elvandar	
Timons	Duke of Timons	
Timothy Jacoby		
Tom Avery		Teamster
Udell		
Unknown	King of the Isles	
Unknown	Duke of Faranzia	
Unknown		
Unknown Avery		
Unknown conDoin	Second Duke of Crydee	
Vandros	1: Duke of Yaboon 2: Earl of La Mut	
Weylin		
William conDoin	Knight-Marshal of Krondor	
Yasmine		

Sources

Aidan

Died: 980, Elvandar

Raymond E Feist, *Magician*, (Grafton Book 1984), p35.

Brina Alwynne

Died: 1042, Crydee

Raymond E Feist, *The King's Buccaneer*, (Harper Collins 1992).

Anthony

Name: Anthony

Raymond E Feist, *The King's Buccaneer*, (Harper Collins 1992), p533.

Caldric

Date born:

Raymond E Feist, *Magician*, (Grafton Book 1984), p221 in APE.

Calin

Date born: Bef. 900, Elvandar

Raymond E Feist, *Magician*, (Grafton Book 1984), p125.

Catherine

Died: 993, Crydee

Raymond E Feist, *Magician*, (Grafton Book 1984), p39.

Father of Catherine

Date born:

Raymond E Feist, *Magician*, (Grafton Book 1984), p221 in APE.

First son conDoin

Date born:

Raymond E Feist, *Magician*, (Grafton Book 1984), p80.

Gamina conDoin

Died: 1070, Kronдор

Raymond E Feist, *Rage of a Demon King*, (Voyager 1997), p302.

Martin conDoin

Date born: 975, Near Silban's Abbey

Raymond E Feist, *Magician*, (Grafton Book 1984), p34.

Died: 1072, Elvandar

Raymond E Feist, *Shards of a Broken Crown*, (Voyager 1998), p136.

Occupation: Huntmaster to the Duke of Crydee

Raymond E Feist, *Magician*, (Grafton Book 1984), p32.

Nicholas conDoin

Date born:

Raymond E Feist, *Magician*, (Grafton Book 1984), p80.

Title (Facts Pg): First Duke of Crydee

Raymond E Feist, *Magician*, (Grafton Book 1984), p27.

Nicholas conDoin

Died: 1070, At Sea aboard the 'Royal Dragon'

Raymond E Feist, *Rage of a Demon King*, (Voyager 1997), p297.

Rodric conDoin III

Died: 989

Raymond E Feist, *Magician*, (Grafton Book 1984), p42.

Second son conDoin

Date born:

Raymond E Feist, *Magician*, (Grafton Book 1984), p80.

William conDoin

Died: 1070, Krondor

Raymond E Feist, *Rage of a Demon King*, (Voyager 1997).

Duncan

Date born:

Raymond E Feist, *Rise of a Merchant Prince*, (Voyager 1996), p249.

Freida

Date born: Abt. 1025

Raymond E Feist, *Shadow of a Dark Queen*, (Harper Collins 1995), p22.

Betsy Graves

Date born:

Raymond E Feist, *Rise of a Merchant Prince*, (Voyager 1996), p125.

Randolph Jacoby

Died: Krondor

Raymond E Feist, *Rise of a Merchant Prince*, (Voyager 1996), p400.

Timothy Jacoby

Died: Krondor

Raymond E Feist, *Rise of a Merchant Prince*, (Voyager 1996), p402.

Dashel Jameson

Date born: 1052, Vencar Estate, Rillanon

Raymond E Feist, *Shards of a Broken Crown*, (Voyager 1998), p206.

Title (Facts Pg) 1: The Upright Man

Raymond E Feist, *Shards of a Broken Crown*, (Voyager 1998), p414.

Daughter Jameson

Date born: 1051, Rillanon

Raymond E Feist, *Shards of a Broken Crown*, (Voyager 1998), p206.

James Jameson

Died: 1070, Krondor

Raymond E Feist, *Rage of a Demon King*, (Voyager 1997), p302.

James Jameson

Date born: 1050, Rillanon

Raymond E Feist, *Shards of a Broken Crown*, (Voyager 1998), p206.

Laurie

Died: Bef. 1068

Raymond E Feist, *Rise of a Merchant Prince*, (Voyager 1996), pvii.

Megar

Occupation: Cook at Crydee Castle

Raymond E Feist, *Magician*, (Grafton Book 1984), p13.

Rosalyn

Date born: 1050, Ravensburg

Raymond E Feist, *Shadow of a Dark Queen*, (Harper Collins 1995), p23.

Eric von Darkmoor

Date born: 1050, Ravensburg

Raymond E Feist, *Shadow of a Dark Queen*, (Harper Collins 1995), p21.

Occupation 2: Bet. 1060 - 1065, Apprentice Blacksmith

Raymond E Feist, *Shadow of a Dark Queen*, (Harper Collins 1995), p44.

Marriage of Borric conDoin and Yasmine

Marriage:

Raymond E Feist, *The King's Buccaneer*, (Harper Collins 1992), p616.

Marriage of Erland conDoin and Genevieve

Marriage:

Raymond E Feist, *The King's Buccaneer*, (Harper Collins 1992), p612.

Marriage of Patrick conDoin and Francine

Marriage: 1072, Rillanon

Raymond E Feist, *Shards of a Broken Crown*, (Voyager 1998).

Marriage of Gunther and Elena conDoin

Marriage:

Raymond E Feist, *The King's Buccaneer*, (Harper Collins 1992), p616.

Marriage of Arutha Jameson and Unknown

Marriage: Rillanon

Raymond E Feist, *Shards of a Broken Crown*, (Voyager 1998), p202.

Marriage of Nakor and Sharmia

Marriage:

Raymond E Feist, *Rise of a Merchant Prince*, (Voyager 1996), p101.

Marriage of Eric von Darkmoor and Katherine Graves

Marriage: 1070

Raymond E Feist, *Rage of a Demon King*, (Voyager 1997), p236.

Index of Individuals

- Abigail* -
 Unnamed: 7, 12
- Acoma* -
 Mara of the: 14
- Aglaranna* -
 Unnamed: 12
- Aidan* -
 Unnamed: 12
- Alicia* -
 Unnamed: 6, 11, 12
- Alwynne* -
 Brina: 7, 12
 Gurtman: 13
- Anasati* -
 Buntokapi of the: 12
 Jiro of the: 14
- Anthony* -
 Unnamed: 7, 12
- Avery* -
 Abigail: 12
 Duncan: 13
 Helmut: 13
 Roo (name: Rupert Avery): 15
 Rupert (aka: Roo Avery): 15
 Tom: 16
 Unknown: 16
- Ayaki* -
 Unnamed: 12
- Beatrice* -
 Unnamed: 4, 12
- Caldric* -
 Unnamed: 12
- Calin* -
 Unnamed: 12
- Calis* -
 Unnamed (aka: The Eagle of Kronдор): 12
- Catherine* -
 Unnamed: 7, 9-12
 Father of: 9, 13
 Mother of: 9, 15
- Clovis* -
 Lady (aka: Jorna): 14
- conDoin* -
 Anita: 6, 7, 9, 11, 12
 Arutha: 6, 7, 9, 11, 12
 Borric: 7, 9-12
 King of the Iles Borric: 6, 11, 12
 Carline: 7, 9, 12
 Elena: 6, 11, 13
 Erland: 6, 11, 13
 Erland: 6, 11, 13
 First son: 4, 13
 Gamina: 8, 13
 Lyam: 7, 9, 10, 14
- Malcom: 5, 14
Marcus: 7, 14
Margaret: 7, 15
Martin: 7, 15
Nicholas: 5, 15
Nicholas: 6, 11, 15
Prince of Kronдор Patrick: 6, 15
Pug (aka: Milamber): 8, 9, 15
Randolph: 7, 10, 15
RodricIII: 4, 15
RodricIV: 4, 15
Second son: 4, 15
Son: 4, 15
Son: 4, 15
Son: 4, 15
Unknown: 5, 9, 16
William: 8, 16
- Daughter* -
 Unnamed: 7, 12
- Dolgan* -
 Unnamed: 13
- du Bas-Tyra* -
 Guy (aka: Black Guy): 13
- Duncan* -
 Unnamed: 7, 13
- Dunstan* -
 Brian (name: Lysle Rigger): 14
- Eva* -
 Unnamed: 13
- Francine* -
 Unnamed: 6, 13
- Freida* -
 Unnamed: 13
- Genevieve* -
 Unnamed: 6, 11, 13
- Girl* -
 Servant: 7, 9, 15
- Graves* -
 Betsy: 12
 Katherine: 14
- Grindle* -
 Helmut: 13
 Karli: 14
- Gunther* -
 Unnamed: 6, 11, 13
- Guy* -
 Black (name: Guy du Bas-Tyra): 13
- Gwynnath* -
 Unnamed: 13
- Hand* -
 Jimmy the (name: James Jameson): 8, 14
- Ichindar* -
 Unnamed: 14
- Jacoby* -

Frederick: 13
 Helen: 13
 Randolph: 15
 Timothy: 16
Jameson -
 Arutha: 8, 12
 Dash (name: Dashed Jameson): 8, 12
 Dashed (aka: Dash Jameson): 8, 12
 Daughter: 8, 13
 Daughter: 8, 13
 Daughter: 8, 12
 James (aka: Jimmy the Hand): 8, 14
 James: 8, 14
Janica -
 Unnamed: 4, 14
Jehilia -
 Unnamed: 14
Jorna -
 (name: Lady Clovis): 14
Justin -
 Unnamed: 14
Kasuma -
 Unnamed: 14
Katala -
 Unnamed: 8, 9, 14
Kevin -
 Unnamed: 14
Krondor -
 The Eagle of (name: Calis): 12
Kulgan -
 Unnamed: 14
Laurie -
 Unnamed: 7, 9, 14
Macros -
 Unnamed: 14
Magya -
 Unnamed: 14
Mathilada -
 Unnamed: 15
Megar -
 Unnamed: 15
Megarson -
 Thomas: 16
Milamber -
 (name: Pug conDoin): 8, 9, 15
Milo -
 Unnamed: 15
Miranda -
 Unnamed: 8, 9, 15
Nakor -
 Unnamed: 15
Nathan -
 Unnamed: 15
Rigger -
 Donald: 13
 Lysle (aka: Brian Dunstan): 14
Roldem -
 Magda of: 7, 9, 10, 14
Rosalyn -
 Unnamed: 15
Rudolph -
 Unnamed: 15
Sharmia -
 Unnamed: 15
Shinzawai -
 Hokanu of the: 14
 Kamatsu of the: 14
 Kasumi of the: 14
Son -
 Unnamed: 7, 15
 Unnamed: 7, 15
Timons -
 Unnamed: 16
Trask -
 Amos: 12
Udell -
 Unnamed: 16
Unknown -
 Unnamed: 4, 16
 Unnamed: 8, 16
 Unnamed: 8, 16
Vandros -
 Unnamed: 16
von Darkmoor -
 Eric: 13
 Gerd: 13
 Manfred: 14
 Otto: 15
 Stefan: 15
Weylin -
 Unnamed: 16
Yaboon -
 Bucal of: 12
 Felinah of: 13
Yasmine -
 Unnamed: 6, 11, 16